

Specifications

备注 (Remark)

1. 材料 (MATERIAL)

胶芯: PBT+30%G.F UL94V-0, 颜色: 黑色.

Housing: PBT+30%G.F UL94V-0, Color: Black

端子: 青铜, 镍底30u"MIN, 表面镀黄金

Contact: Phosphor bronze, GOLD PLATING OVER ALL
30u" MIN NICKEL UNDERPLATING OVER ALL

2. 特性 (characteristics):

额定电流: 3 AMP

Rating Current: 3 AMP.

接触阻抗: 20 mΩ MAX.

Contact Resistance: 20 mΩ MAX.

绝缘阻抗: 1000 MΩ MIN.

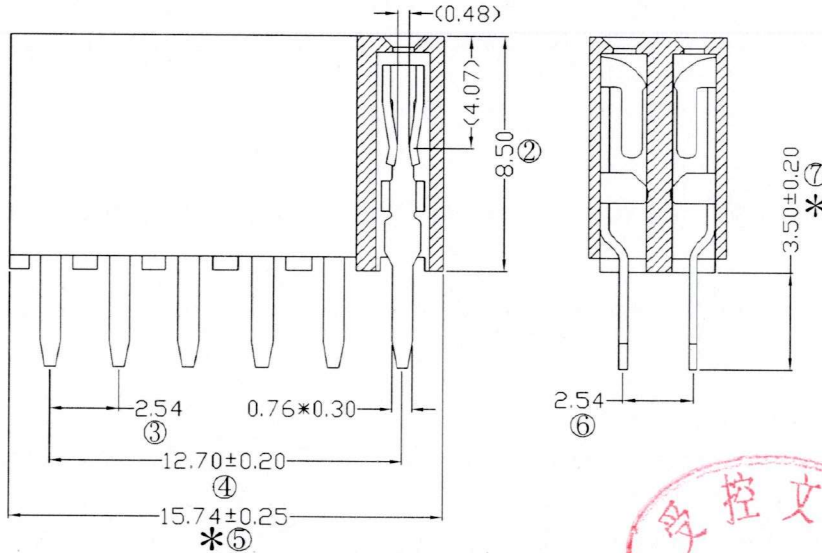
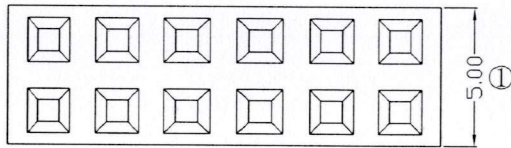
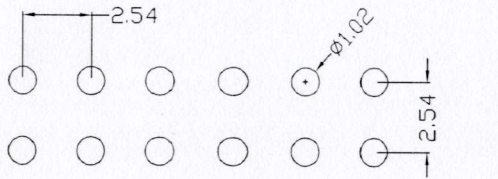
Insulating Resistance: 1000 MΩ MIN.

耐电压: AC 500V/分钟.

Withstanding Voltage: AC 500V/Minute.

温度范围: -40° C to +105° C

Temperature Range: -40° C to +105° C



Ordering Information

F185-12 06 A0 A SU C 3

NO. OF PINS PER ROW 2-40P	Contact Plating		INSULATOR MATERIAL:	PACKING A: PE Bag B: Tape & Reel C: Tube D: Tube+CAP E: Tray
	Full Of Gold	Semi-gold		
A0=0.8u"	B0=0.8U"	A: PBT	B: Tape & Reel	
A1=1u"	B1=1U"	B: PA6T	C: Tube	
A2=1.5u"	B2=1.5U"	C: PA9T	D: Tube+CAP	
A3=2u"	B3=2U"	D: LCP	E: Tray	
A4=3u"	B4=3U"			
A5=5u"	B5=5U"			
A6=10u"	B6=10U"			
A7=15u"	B7=15U"			
A8=20u"	B8=20U"			
A9=30u"	B9=30U"			
S1=Ordinary Tin Plated				
S2=Matte Tin Plated				
S3=Tin-plated High-temperature				

RoHS
COMPLIANT

客编: K8002

注意
事项

1. 带*为品质重点
检验尺寸



			OPERATION		SCALE		Fit		Yxcon 东莞市宇熙精密连接器有限公司			
			X.X	±0.25	UNIT		MM		www.yxcon.com Dongguan Yuxi Electronic Co., Ltd.			
			X.XX	±0.20	SIZE	A4	DESIGN	刘伟 2021.05.22	PART NO. F185-1206A0ASUC3			
			X.XXX	±0.10	SHEET	1/1	CHECK	李宇 5.26	TITLE: 2.54排母8.5mm型高 2*6P 180度 型宽=5.0mm			
REV	DATE	SYMBOL	MODIFICATION DESCRIPTION		DIM	TOL	PROJ.	APPROVE	张浩杰 5.26	Customer No.		
A0	2021.05.22	/	新版发行							0型A款 PBT料 镀黄金 XP-XP		