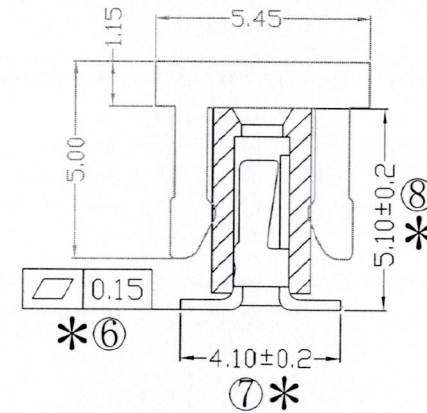
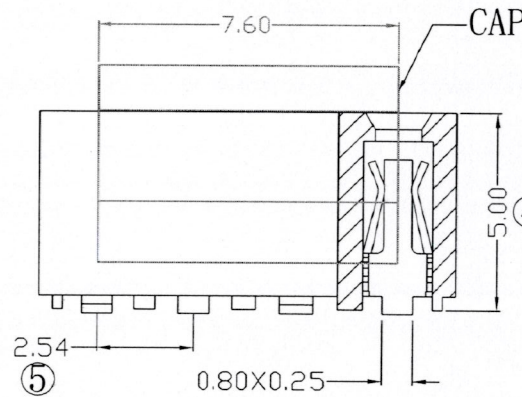
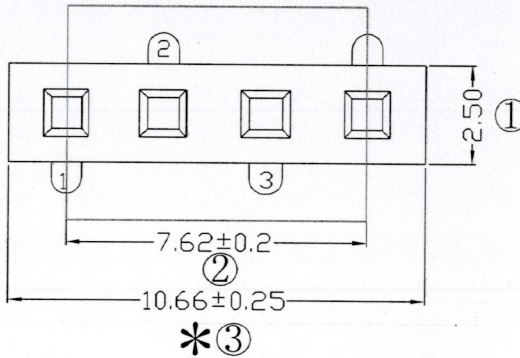
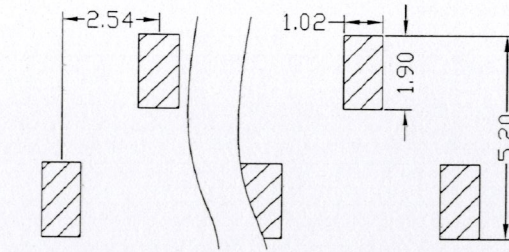


Specifications

备注(Remark)
 1. 材料(MATERIAL)
 胶芯: PA9T+30%G.F UL94V-0, 颜色:黑色.
 Housing:PA9T+30%G.F UL94V-0, Color:Black
 端子: 磷铜, 镍底30u"MIN, 表面镀普金
 Contact:Phosphor, GOLD PLATING OVER ALL
 30u" MIN NICKEL UNDERPLATING OVER ALL

2. 特性 (characteristics):
 额定电流: 3 AMP
 Rating Current:3 AMP.
 接触阻抗: 20 mΩ MAX.
 Contact Resistance:20 mΩ MAX.
 绝缘阻抗: 1000 MΩ MIN.
 Insulating Resistance:1000 MΩ MIN.
 耐电压: AC 500V/分钟.
 Withstanding Voltage:AC 500V/Minute.
 温度范围: -40° C to+105° C
 Temperture Range: -40° C to+105° C



Ordering Information

F150-11 04 A0 C MU B 1

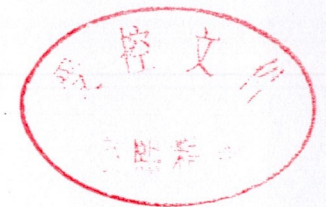
NO. OF PINS PER ROW 1-40P	Contact Plating Full Of Gold	Semi-gold	INSULATOR MATERIAL:	PACKING	TYPE1:1	TYPE2:2
A0=0.8u"	B0=0.8U"	B1=1U"	A:PA9T	A:PE Bag		
A1=1u"	B2=1.5U"	B3=2U"	C:PA9T	B:Tape & Reel		
A2=1.5u"	B4=3U"	B5=5U"	D:LCP	C:Tube		
A3=2u"	B6=10U"	B7=15U"		D:Tube+CAP		
A4=3u"	B8=20U"	B9=30U"		E:Tray		
A5=5u"						
A6=10u"						
A7=15u"						
A8=20u"						
A9=30u"						
	S1=Ordinary Tin Plated					
	S2=Matte Tin Plated					
	S3=Tin-plated High-temperature					

RoHS COMPLIANT

客编: V1169

注意事项

1. 带*为品质重点检验尺寸



OPERATION

SCALE

Fit

Yxcon

东莞市宇熙精密连接器有限公司
Dongguan Yuxi Electronic Co.,Ltd.

X.X ±0.25

UNIT

MM

X.XX ±0.20

SIZE

A4

DESIGN

刘伟 2021.03.30

PART NO.

F150-1104A0CMB1

X.XXX ±0.10

SHEET

1/1

CHECK

朱果 3.31

TITLE:

2.54排母5.0mm型高 1*4P SMT:4.1 U型 0.8*0.25mm
磷铜 PA9T/镀普金 正脚位 CAP+卷装800PCS

Angle ±3°

PROJ.

APPROVE

APPROVE

廖志 3.31

Customer No.

MODIFICATION DESCRIPTION

REV DATE SYMBOL

新版发行