

The information provided herein is from CONNELY Electronic Co., Ltd. and is confidential. Any disclosure to a party other than the recipient is prohibited. The intellectual properties and its rights contained herein, including but not limited to, trademarks, patents, copyrights, trade secrets, and technical know-how, are owned exclusively by CONNELY or its affiliates. Unauthorized use or reproduction of any part of this document is strictly prohibited. CONNELY may enforce its intellectual property rights at its own discretion, failures or delays to exercise such rights does not constitute a waiver of such rights.

Dept	Qty
DC	1
ED	1
IE	1
ISO	1
PD	1
R&D	1
SD	1
QA	1
QC	1
QE	1

QA	1
QC	1
QE	1

Female

Male

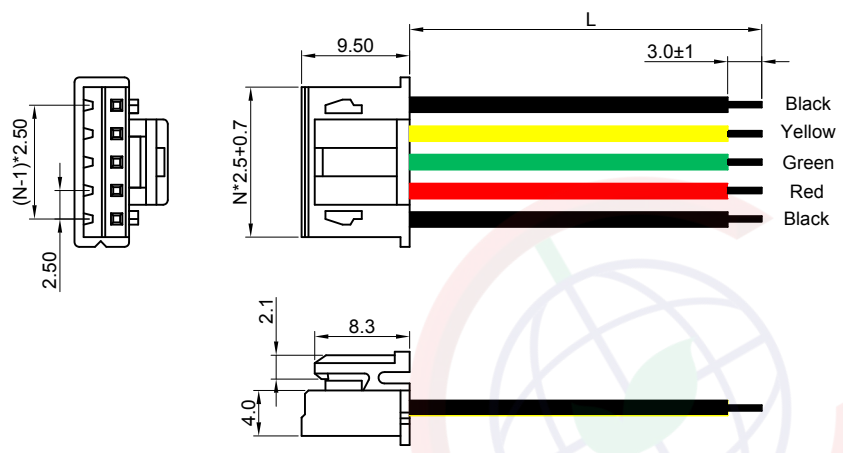
W/ Kink

W/O Kink

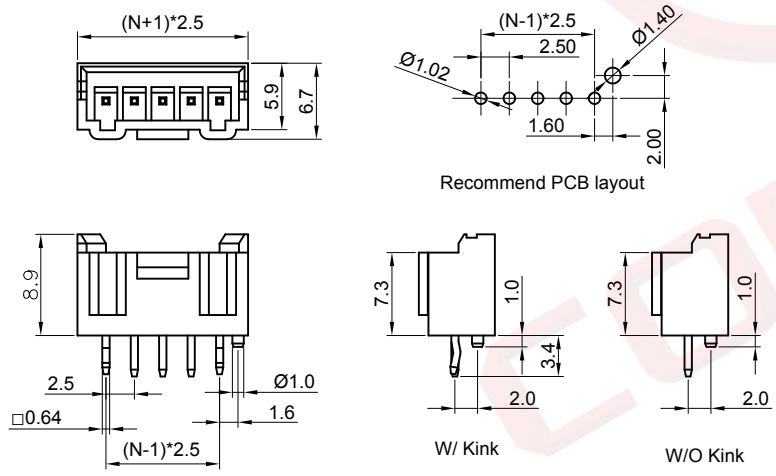
Series Image-Reference Only

(Series Image-Reference Only)

N=No.of contacts



N=No.of contacts

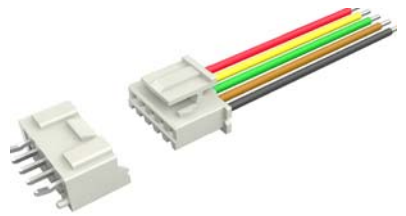


Recommend PCB layout

Male

W/ Kink

W/O Kink



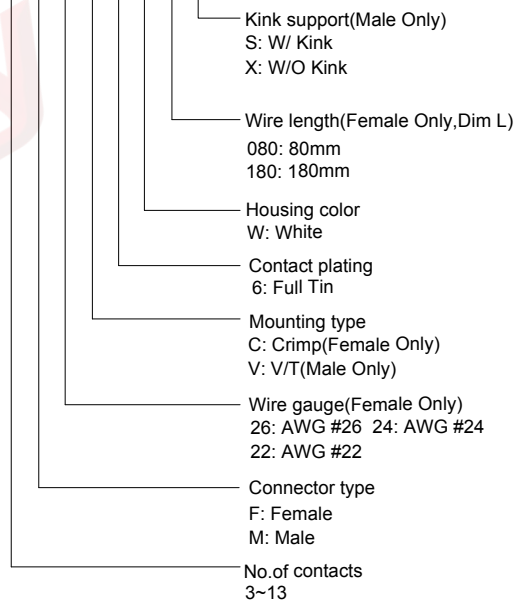
(Series Image-Reference Only)

REV.	DESCRIPTION	DRAWN	CHECKED	APPROVED
A	NEW RELEASE	JLZ 01/12/15'		
C	DRAWING UPDATE	JLZ 05/21/21'		

NOTES:

- Materials:
 - Housing material: NYLON 66
 - Contact: Copper Alloy
 - Wire Insulator: PVC
 - Wire: Tin Plated Copper
- Specifications:
 - Current Rating:1.5A
 - Voltage Rating:250V AC/DC
 - Contact Resistance: 200mΩ Max.
 - Insulation resistance: 500MΩ Min.
 - Wire Range:UL1007 AWG#22~26
- Product Number Code:

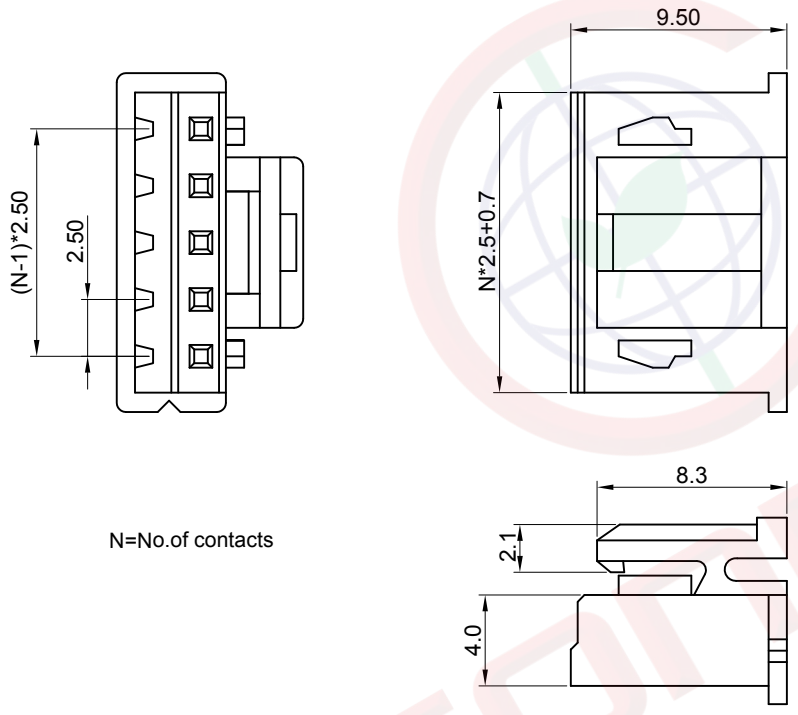
DS1069-05 - X X X X X X X



GENERAL TOLERANCE		ANGLE TOLERANCE		PROJECTION		TITLE	2.5mm New XH Type Double Lock Type
X.	±0.60	X.	±5°	UNITS	mm	SERIES	DS1069-05 SERIES
.X	±0.38	.X	±3°				
.XX	±0.25	.XX	±2°				
DRAWING TYPE		CUSTOMER					
SCALE		1:1	SHEET	1 OF 2			
DRAWING NO.		C-DS1069-05-XXXXX-C					

晨翔电子有限公司
CONNELY ELECTRONIC CO. LTD

The information provided herein is from CONNELY Electronic Co., Ltd. and is confidential. Any disclosure to a party other than the recipient is prohibited. The intellectual properties and its rights contained herein, including but not limited to, trademarks, patents, copyrights, trade secrets, and technical know-how, are owned exclusively by CONNELY or its affiliates. Unauthorized use or reproduction of any part of this document is strictly prohibited. CONNELY reserves the right to make changes to this drawing without notice and does not constitute a waiver of such rights. CONNELY may enforce its intellectual property rights at its own discretion, failures or delays to exercise such rights does not constitute a waiver of such rights.



(Series Image-Reference Only)

REV.	DESCRIPTION	DRAWN	CHECKED	APPROVED
A	NEW RELEASE	JLZ 01/12/15'		
C	DRAWING UPDATE	JLZ 05/21/21'		

NOTES:

1. Materials:

- 1.1 Housing material: Nylon 66
- 1.2 Contact: Copper Alloy
- 1.3 Wire Insulator: PVC
- 1.4 Wire: Tin Plated Copper

2. Specifications:

- 2.1 Current Rating: 1.5A
- 2.2 Voltage Rating: 250V AC/DC
- 2.3 Contact Resistance: 200mΩ Max.
- 2.4 Insulation resistance: 500MΩ Min.
- 2.5 Wire Range: UL1007 AWG#22~26

3. Product Number Code:

I - XH - X P D S - W

Housing color
W: White

No. of contacts
3~13

GENERAL TOLERANCE		ANGLE TOLERANCE		PROJECTION		TITLE	
X.	±0.60	X.	±5°	UNITS	mm	2.5mm New XH Housing Type	
.X	±0.38	.X	±3°	SHEET SIZE	A4	SERIES	DS1069-05 SERIES
.XX	±0.25	.XX	±2°	晨翔电子有限公司 CONNFLY CONNFLY ELECTRONIC CO. LTD			
DRAWING TYPE		CUSTOMER					
SCALE	1:1	SHEET	2 OF 2				
DRAWING NO.		C-DS1069-05-XXXXX-C					