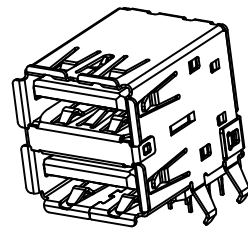
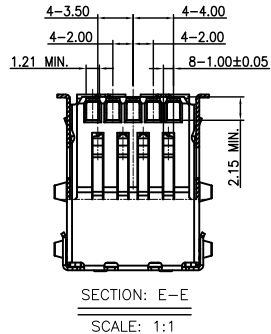
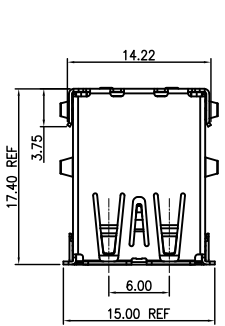
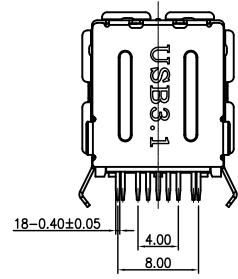
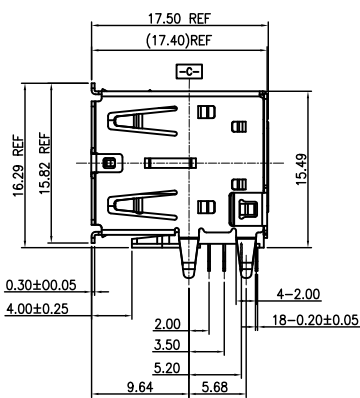
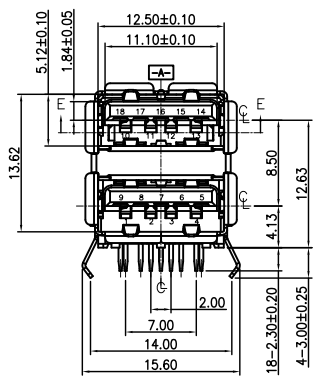


CATEGORY	DESCRIPTION	P/N #
CONNECTOR	双层USB3.1 A/F DIP90度	UB31F-UX21-W9RD1549J

REV.	ECN NO	DESCRIPTION	REVISED	DATE
A01		New Release	ZSH	2017.01.11

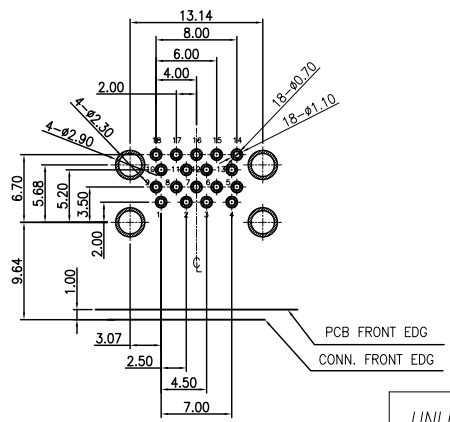
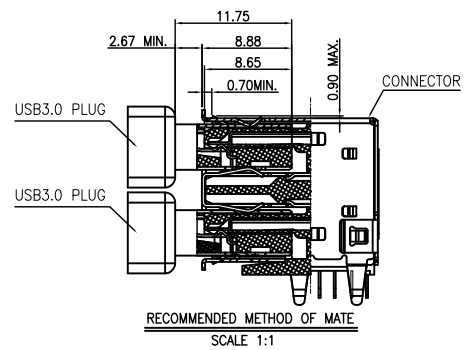
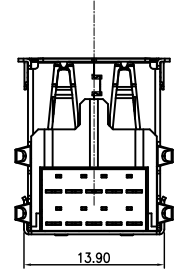


- NOTES:
- ELECTRICAL CHARACTERISTICS:
 - CONTACT CURRENT RATING: 1.8 A FOR VBUS PIN AND ITS CORRESPONDING GND PIN. 0.25 A MIN FOR ALL OTHER CONTACTS.
 - CONTACT RESISTANCE: INITIAL 30 MILLIOHMS MAX FOR VBUS AND GND CONTACTS. INITIAL 50 MILLIOHMS MAX FOR ALL OTHER CONTACTS. AFTER DURABILITY 10 MILLIOHMS MAX CHANGE.
 - DIELECTRIC WITHSTANDING VOLTAGE: 100 VRMS AC MIN.
 - INSULATION RESISTANCE: 100 MEGOHMS MIN.
 - MECHANICAL CHARACTERISTICS:
 - CONNECTOR MATING FORCE: 35N MAX.
 - CONNECTOR UNMATING FORCE: 10N MIN INITIAL, 8N MIN AFTER DURABILITY.
 - DURABILITY: 5000 CYCLES.
 - OPERATING TEMPERATURE: -55° C TO +85° C
 - RECOMMENED PROCESS: IR REFLOW,PEA TEMP 260° C, 3~5 SECONDS.
 - THE CONNECTOR IS ROHS COMPLIANT AND HALOGEN FREE COMPLIANT.



UB31F-UX21-W9RD1549J

X	Terminal Plating
0	Au 1u" Plating
1	Au 3u" Plating
2	Au 6u" Plating
3	Au 15u" Plating
4	Au 30u" Plating



RECOMMENDED P.C.B LAYOUT
THICKNESS:1.20mm(TOP VIEW)
DEFAULT TOL ±0.05

PIN ASSIGNMENT:

Pin No.	1	2	3	4	5	6	7	8
Pin No.	10	11	12	13	14	15	16	17
Signal Name	VBUS	D-	D+	GND	STDA_SSRX-	STDA_SSRX+	GND_DRAIN	STDA_SST

NO.	DESCRIPTION	QTY.	MATERIAL	TREATMENT
6	COVER	1	PA9T+30%G.F	MOLDED COLOR: BLUE(300C)UL 94V-0
5	MIDDLE SHELL	1	STAINLESS STEEL,T=0.30mm	CLEAN
4	HOUSING	1	PA9T+30%G.F	MOLDED COLOR: BLUE(300C)UL 94V-0
3	USB2.0 CONTACT	8	COPPER ALLOY,T=0.20mm	Au AT CONTACT AREA;
2	USB3.1 CONTACT	10	COPPER ALLOY,T=0.20mm	Ni PLATING OVERALL; LEAD FREE MATTE TIN ALLOY AT TERM
1	FRONT SHELL	1	STAINLESS STEEL,T=0.30mm	NICKEL PLATED.

東莞市合陵電子有限公司
DongGuan HeLing Electronic Co.,LTD

UNLESS OTHERWISE SPECIFIED TOLERANCES	SCALE:1/1	UNIT: mm	DWG.NO:
	SIZE: A3	PAGE:1 OF 1	REV:A01
DECIMALS: X :±0.5 X.X :±0.3 X.XX :±0.25	ANGLES: X :±2° X.X :±1°	APPROVED BY Dick	CHECKED BY XSY
		PREPARED BY ZSH	CUSTOMER COPY