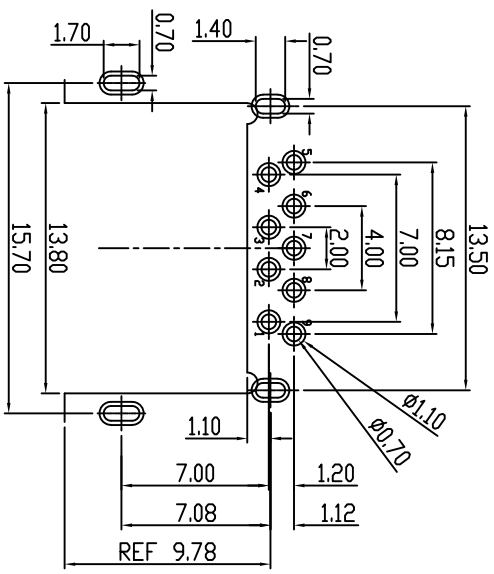
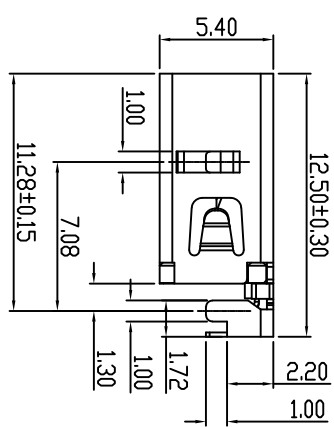
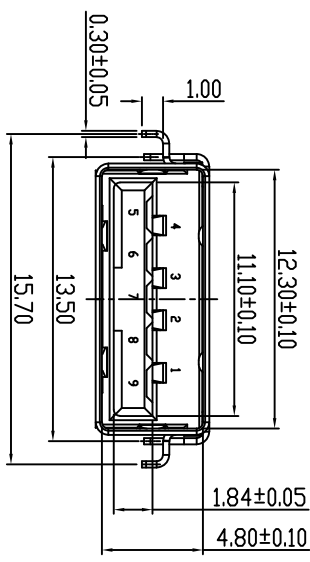
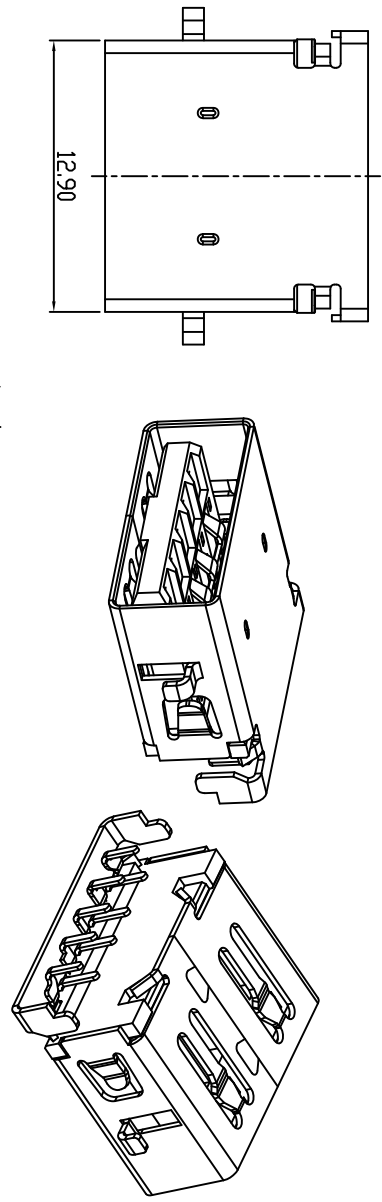
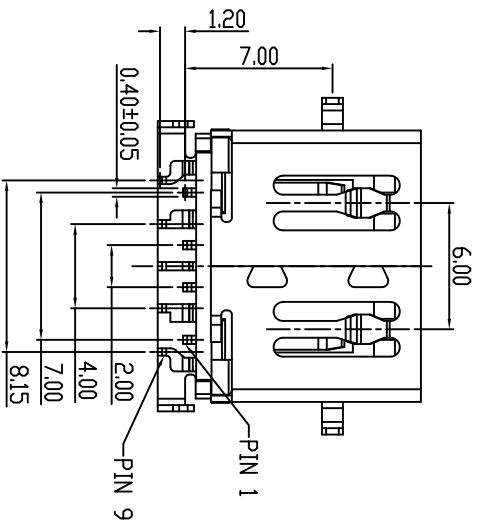


CATEGORY	DESCRIPTION	P/N #
CONNECTOR	USB 3.0 AF DIP型流媒体2	UB31F-XX11-HLRX22-X

REV.	ECN NO.	DESCRIPTION	REVISED	DATE
AO1		New Release	XSY	2019-8-8



Tolerance: ± 0.05 Thickness: $1.0 \sim 1.2$ mm
 Recommend PCB Layout
 (Top View)



X	Terminal Plating
0	Au 1u" Plating
1	Au 3u" Plating
2	Au 6u" Plating
3	Au 15u" Plating

X	Housing Color
B	Black
U	Blue

X	Terminal Plating
G	SUS
B	Copper Alloy
S	SPCC

X	Terminal Plating
0	Au 1u" Plating
1	Au 3u" Plating
2	Au 6u" Plating
3	Au 15u" Plating

X	Shell Material
G	SUS
B	Copper Alloy
S	SPCC

UB31F-XX11-HLRX22-X

1. Electrical Characteristics

- 1-1: Rate Voltage: 30V DC
- 1-2: Current Rating: 1.5A
- 1-3: Contact Resistance: 30mΩ MAX.
- 1-4: Insulation Resistance: 100MΩ MIN.
- 1-5: Dielectric Withstand Voltage :500V R.M.S
- 1-6: Operature Temperature: -40°C~85°C

2. MECHANICAL CHARACTERISTICS

- 2-1: UNMATING FORCE:10N MIN INITIAL;
8N MIN AFTER TEST.
- 2-2: MATING FORCE:35N MAX;
- 2-3: DURABILITY:1500 CYCLES;

c	Shell	1	See Table T=0.3mm	Ni Plating	
b	Terminal	9	Copper Alloy T=0.2mm	See Table	
a	Housing	1	LCP UL94V-0	See Table	
NO.	PART NAME	QTY	MATERIAL	PLATING & COLOR	

UNLESS OTHERWISE SPECIFIED TOLERANCES

SCALE:1/1 UNIT: mm

东莞市合陵电子有限公司
 Dongguan Heling Electronic Co.,LTD
 Connector

SIZE: A3 PAGE: 1 OF 1 REV: A01

APPROVED BY

CHECKED BY XSY

PREPARED BY XSY

CUSTOMER COPY

DECIMALS: X :±0.5 X X :±0.3 X.XX :±0.2

ANGLES: X :±2 X X :±1