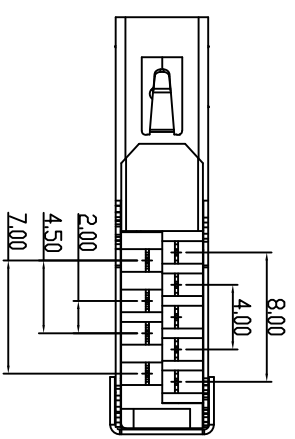
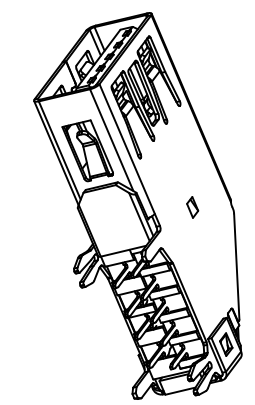
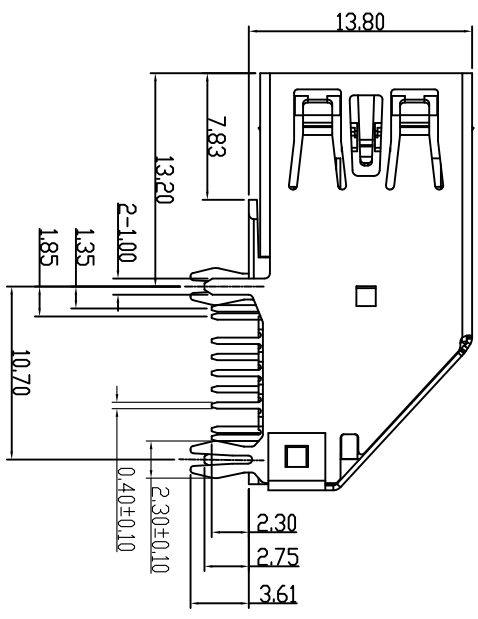
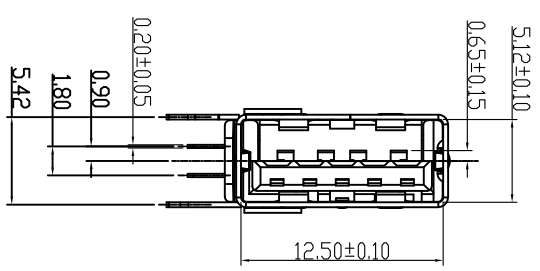
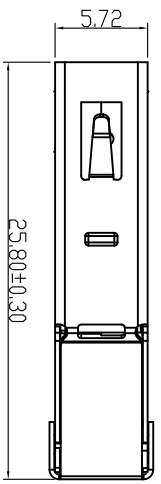


CATEGORY	DESCRIPTION	P/N #
CONNECTOR	USB3.0 A/F 侧插单屏蔽盲边鱼叉脚	UB30F3-XX11-HXRS01-X

REV.	ECN NO	DESCRIPTION	REVISED	DATE
A01		New Release	Luke	2023.04.19



X	Terminal Plating
0	Au 1u" Plating
1	Au 3u" Plating
2	Au 6u" Plating
3	Au 15u" Plating
4	Au 30u" Plating

X	COLOR
B	Black
U	Blue 300C

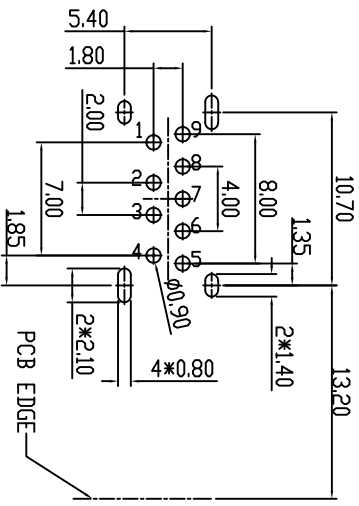
X	MATERIAL
P	PBT
L	LCP

X	包装方式
C	卷带包装
P	吸塑盒包装

**ELECTRICAL:**

- CURRENT RATING: 1.5A/CONTACT TERMINAL
- VOLTAGE RATING: 30V DC
- CONTACT RESISTANCE 30MΩ MAX
- DIELECTRIC WITHSTANDING: 500V AC ATSEA LEVO1
- INSULATION RESISTANCE 1000MΩ MIN

CONNECTOR MATE AND UNMATE FORCE:  
 MATE FORCE: 3.50KGf(MAX)  
 UNMATE FORCE: 1.00KGf(MIN)  
 DURABILITY: 1500 CYCLES



RECOMMENDED PCB LAYOUT  
 THK=1.60 ALL TOL IS +0.05

PIN NO	1	2	3	4	5	6	7	8	9
SIGNAL NAME	VBUS	D-	D+	GND	SSRX-	SSRX+	GND_DRAIN	SSTX-	SSTX+
REMARK	USB2.0 Connect Pin				USB3.0 Connect Pin				

**東莞市合陵電子有限公司**  
 DongGuan Heling Electronic Co.,LTD

d	SHELL	1	SUS201 T=0.3mm	Ni PALTING	
c	TERMINAL (5PIN)	1	C2680 T=0.2mm	Au/Tin PALTING	
b	TERMINAL (4PIN)	1	C5210 T=0.2mm	Au/Tin PALTING	
a	HOUSING	1	SEE TABLE UL94V-0	SEE TABLE	
NO.	PART NAME	QTY	MATERIAL	PALTING & COLOR	Remark

UNLESS OTHERWISE SPECIFIED TOLERANCES

DECIMALS: ANGLES:  
 X.X ±0.30 X ±2°  
 X.XX ±0.20 X.X ±1°  
 X.XXX ±0.10

SCALE: 1/1	UNIT: mm	DWG. NO:
SIZE: A3	PAGE: 1 OF 1	REV: A01
APPROVED BY	CHECKED BY	PREPARED BY
DICK	XSY	Luke
CUSTOMER COPY		