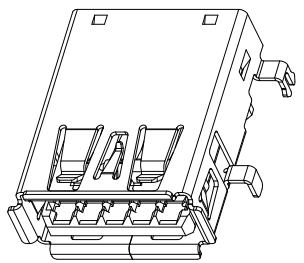
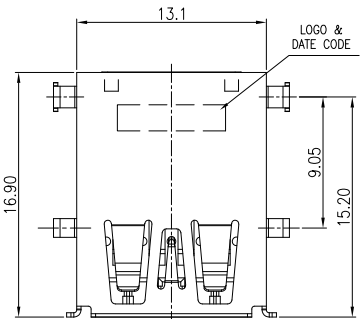


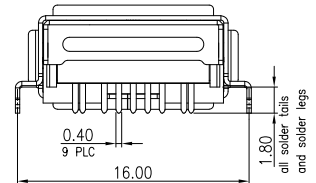
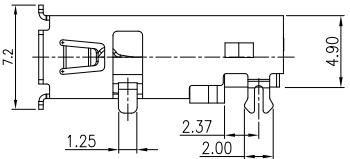
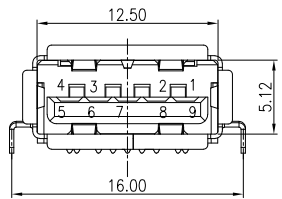
4	3	2	1
CATEGORY	DESCRIPTION	P/N #	
CONNECTOR	USB 3.0 卷边沉板式 DIP 板上高度4.9	UB30F-UX11-MRV490	

REV.	ECN NO	DESCRIPTION	REVISED	DATE
A01	—	NEW	Kate	2020/10/22



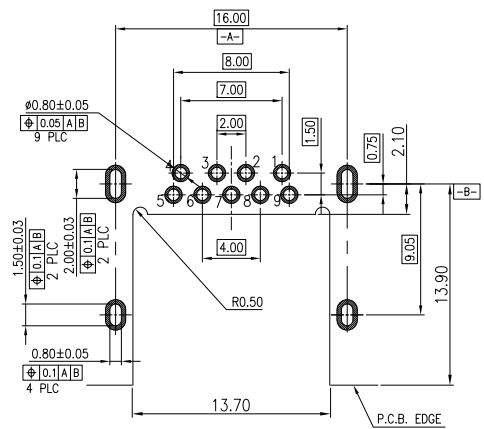
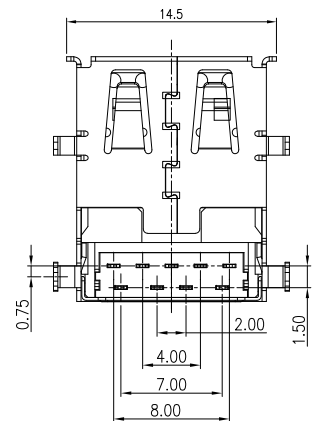
Pin No.	1	2	3	4	5	6	7	8	9
Signal Name	VBUS	D-	D+	GND	SSRX1-	SSRX1+	GND	SSRX2-	SSRX2+
Remark	USB2.0 Contact Pin				USB3.0 Contact Pin				

- NOTES:
- MATERIAL:
 - HOUSING: THERMOPLASTIC, UL 94 HB, BLUE COLOR
 - SPACER: THERMOPLASTIC, UL 94V-0, BLACK COLOR
 - CONTACT: BRASS, THICKNESS=0.20mm
 - SHELL: STAINLESS STEEL, THICKNESS=0.20mm
 - FINISH:
 - CONTACT: GOLD PLATING ON CONTACT AREA.
 - MATTE TIN PLATING ON SOLDER TAILS
 - 50u"MIN.NICKEL UNDERPLATED OVERALL
 - SHELL: 40u"MIN.NICKEL PLATING OVERALL.
 - PART NO. DESCRIPTION:



UB30F-UX11-MRV490

X	Terminal Plating
0	G/F"
1	Au 2u"
4	Au 30u"



RECOMMEND P.C.B LAYOUT (THICKNESS=1.2mm)

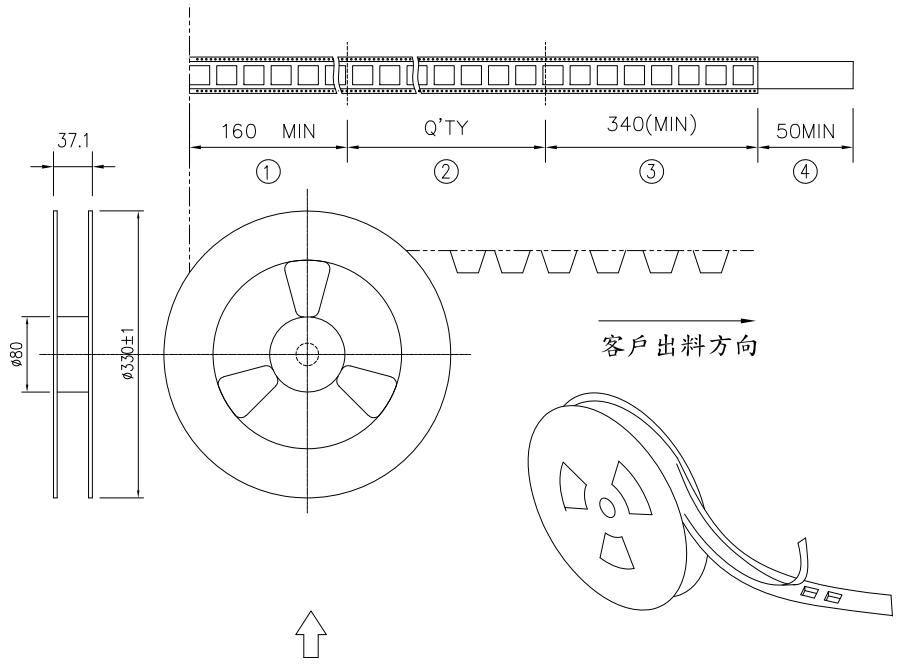
东莞市合陵电子有限公司
DongGuan HeLing Electronic Co.,LTD.

UNLESS OTHERWISE SPECIFIED TOLERANCES	SCALE: 1/1	UNIT: mm	DWG NO.
	SIZE: A4	PAGE: 1 OF 2	
DECIMALS: X :±0.5 X.X :±0.3 X.XX :±0.2	ANGLES: X :±2° X.X :±1°	APPROVED BY DICK	CHECKED BY XSY
		PREPARED BY Kate	CUSTOMER CORY

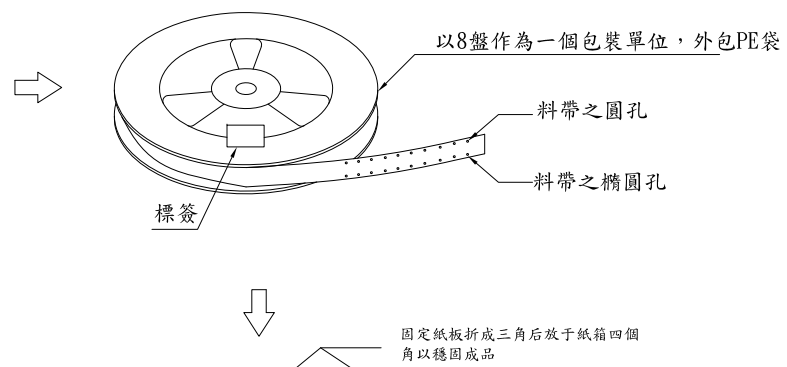
4	3
CATEGORY	DESCRIPTION
CONNECTOR	USB 3.0 卷边沉板式 DIP 板上高度4.9 包装图
	P/N #
	UB30F-UX11-MRV490

1	2			
REV.	ECN NO	DESCRIPTION	REVISED	DATE
A01	—	NEW	Kate	2020/10/22

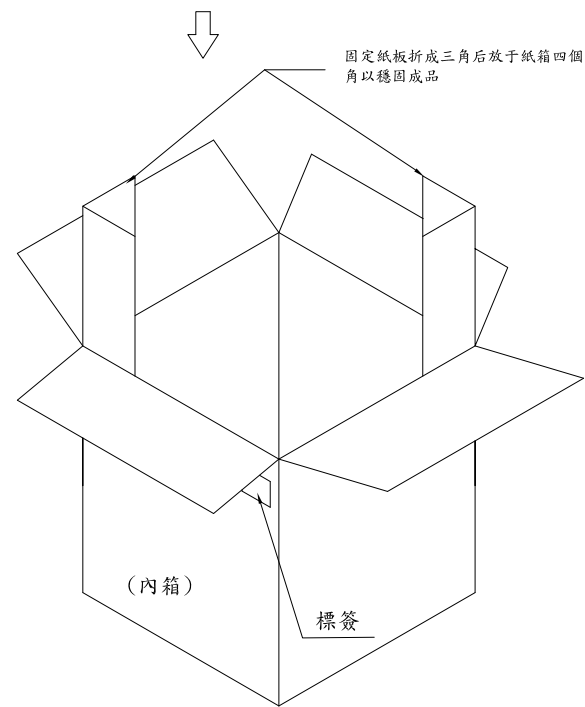
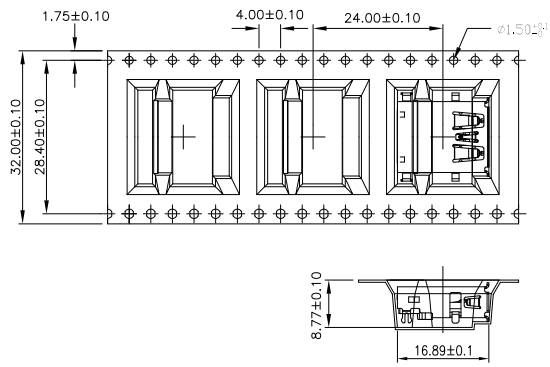
(圖二)



(圖三)



(圖一)



NOTE:

- ① 前留空區(8PCS)，無成品。
- ② 包裝數量：300PCS/卷，2400PCS/箱
- ③ 后留空區(20PCS)，無成品。

 东莞市合陵电子有限公司
DongGuan HeLing Electronic Co.,LTD.

UNLESS OTHERWISE SPECIFIED TOLERANCES	SCALE: 1/1	UNIT: mm	DWG NO.	
	SIZE: A4	PAGE: 2 OF 2	REV: A01	
DECIMALS:	ANGLES:	APPROVED BY	CHECKED BY	PREPARED BY
X : ±0.5	X : ±2°	DICK	XSY	Kate
X.X : ±0.3	X.X : ±1°	CUSTOMER COPY		
X.XX : ±0.2				