

| 4 | 3 | 2 | 1 |
|-----------|-------------------------------------|--------------------|---|
| CATEGORY | DESCRIPTION | P/N # | |
| CONNECTOR | USB 3.0 沉板DIP 卷边 板上高度3.9 外壳前脚SMT | UB30F-UX11-MRV390J | |

| REV. | ECN NO | DESCRIPTION | REVISED | DATE |
|------|--------|-------------|---------|------------|
| A01 | — | NEW | Kate | 2021/12/22 |

NOTES:

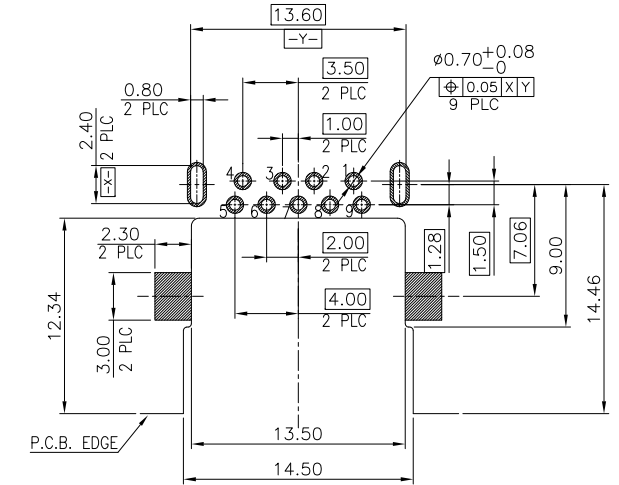
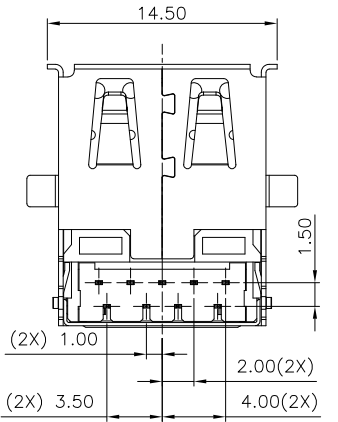
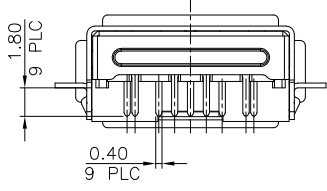
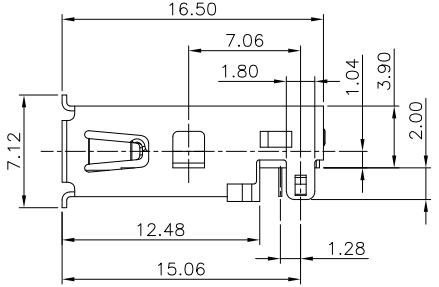
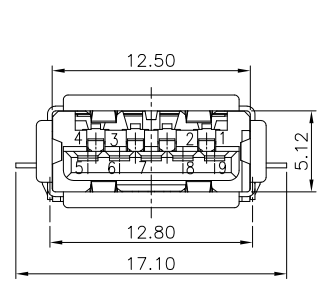
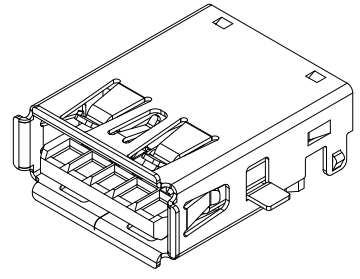
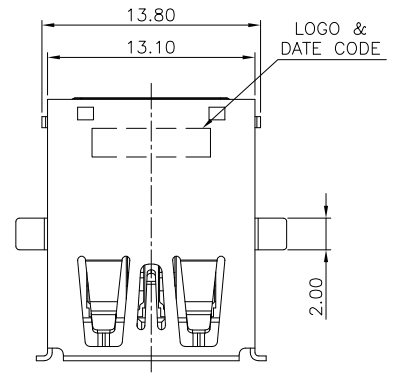
- MATERIAL:
 - HOUSING: THERMOPLASTIC, UL 94 HB, BLUE COLOR
 - SPACER: THERMOPLASTIC, UL 94V-0, BLACK COLOR
 - CONTACT: BRASS, THICKNESS=0.20mm
 - SHELL: STAINLESS STEEL, THICKNESS=0.30mm
- FINISH:
 - CONTACT: GOLD PLATING ON CONTACT AREA.
 - MATTE TIN PLATING ON SOLDER TAILS
 - 50u" MIN. NICKEL UNDERPLATED OVERALL
 - SHELL: 40u" MIN. NICKEL PLATING OVERALL.
- PART NO. DESCRIPTION:

UB30F-UX11-MRV390J

| | |
|---|------------------|
| X | Terminal Plating |
| 0 | G/F |
| 1 | Au 2u" |
| 4 | Au 30u" |

D
C
B
A

D
C
B
A



RECOMMEND P.C.B LAYOUT (THICKNESS=1.2mm)
(COMPONENT SIDE) TOLERANCE±0.03

东莞市合陵电子有限公司
DongGuan HeLing Electronic Co.,LTD.

| | | | | |
|---|-------------------------------|---------------------|-------------------|---------------------|
| UNLESS OTHERWISE SPECIFIED TOLERANCES | SCALE: 1/1 | UNIT: mm | DWG NO. | |
| | SIZE: A4 | PAGE: 1 OF 1 | REV: A01 | |
| DECIMALS: X :±0.5 X.X :±0.3 X.XX :±0.2 | ANGLES: X :±2° X.X :±1° | APPROVED BY DICK | CHECKED BY XSY | PREPARED BY Kate |
| CUSTOMER COPY | | | | |

4 3 2 1