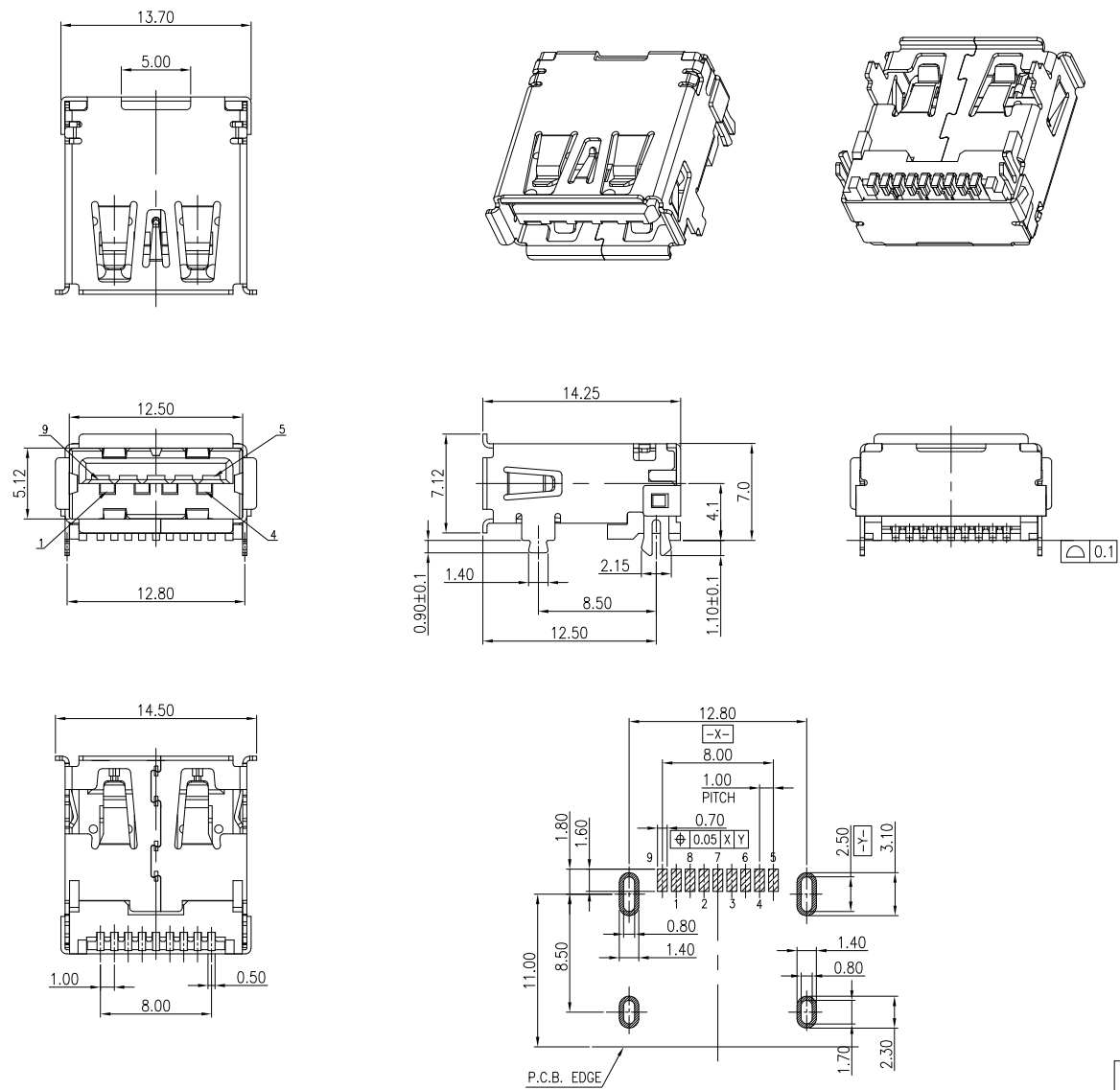


4	3	
CATEGORY	DESCRIPTION	P/N #
CONNECTOR	USB 3.1 卷边SMT 外壳四脚DIP	UB30F-UX11-MRS11J

2		1		
REV.	ECN NO	DESCRIPTION	REVISED	DATE
A01	—	NEW	Kate	2021/02/22



- NOTES:
- MATERIAL:
 - HOUSING: THERMOPLASTIC, UL 94 HB, BLUE COLOR
 - CONTACT: COPPER ALLOYE, THICKNESS=0.20mm
 - SHELL: STAINLESS STEEL, THICKNESS=0.30mm
 - FINISH:
 - CONTACT: GOLD PLATING ON CONTACT AREA.
 - MATTE TIN PLATING ON SOLDER TAILS
 - 50u"MIN.NICKEL UNDERPLATED OVERALL
 - SHELL: 40u"MIN.NICKEL PLATING OVERALL.
 - PART NO. DESCRIPTION:

UB30F-UX11-MRS11J

X	Terminal Plating
0	G/F"
1	Au 2u"
4	Au 30u"

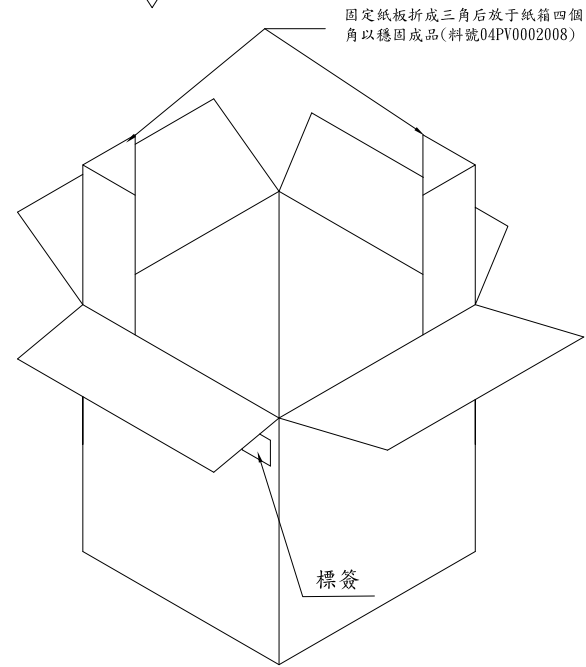
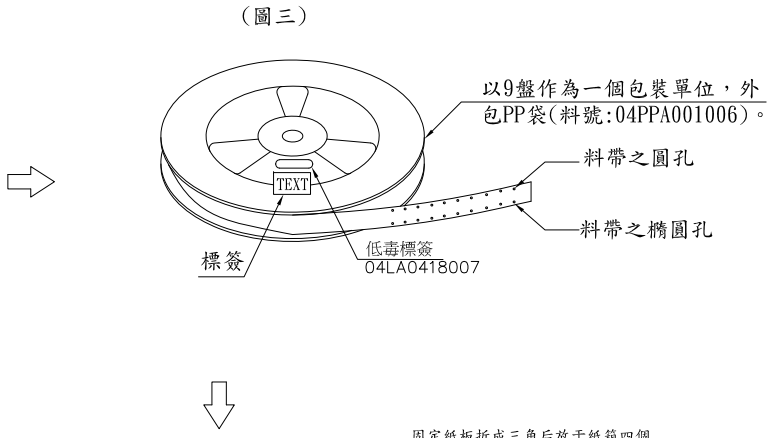
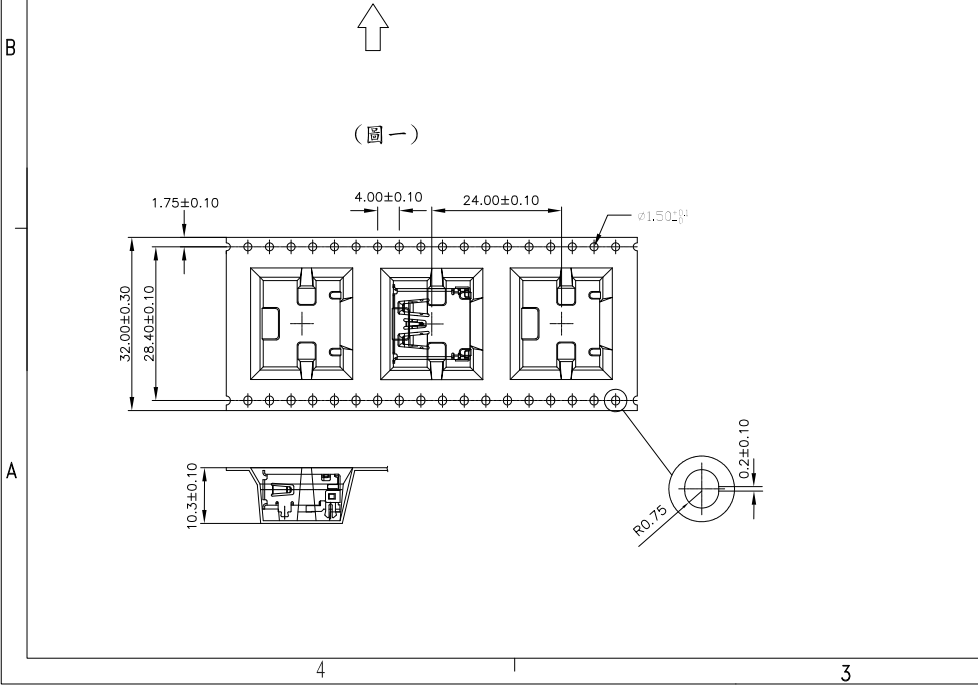
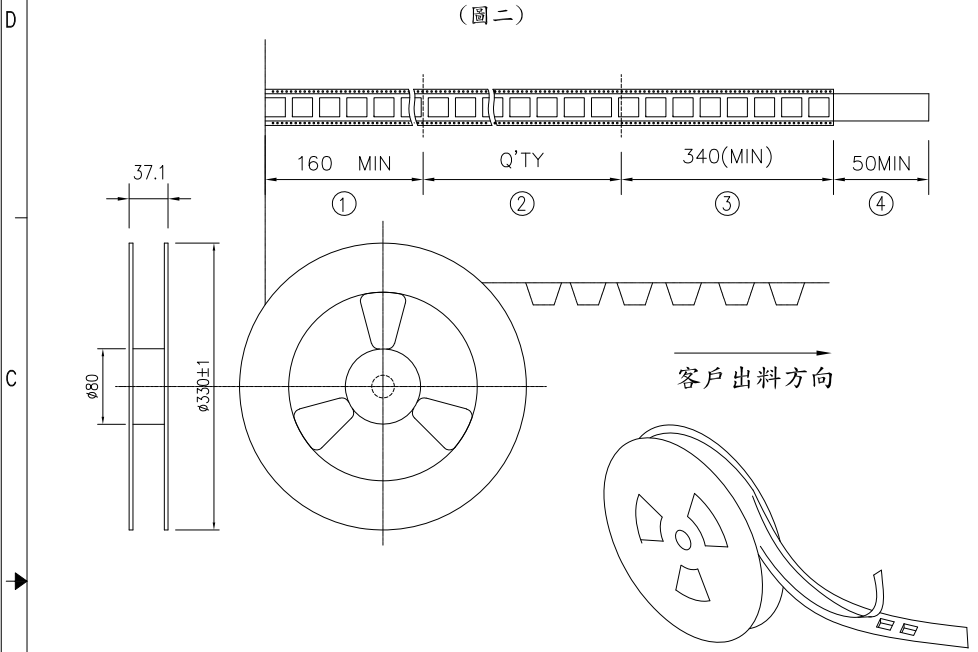
RECOMMENDED P.C.B. LAYOUT (COMPONENT SIDE)
 DEFAULT TOLERANCES: ±0.05; PCB THICKNESS: 1.2mm

 东莞市合陵电子有限公司
 DongGuan HeLing Electronic Co.,LTD.

UNLESS OTHERWISE SPECIFIED TOLERANCES	SCALE: 1/1	UNIT: mm	DWG NO.
	SIZE: A4	PAGE: 1 OF 2	
DECIMALS:	ANGLES:	APPROVED BY	CHECKED BY
X : ±0.5	X : ±2°	DICK	XSY
X.X : ±0.3	X.X : ±1°	PREPARED BY	
X.XX : ±0.2		Kate	
CUSTOMER COPY			

4	3	
CATEGORY	DESCRIPTION	P/N #
CONNECTOR	USB 3.0 卷边SMT 外壳四脚DIP 包装图	UB30F-UX11-MRS11J

2	1			
REV.	ECN NO	DESCRIPTION	REVISED	DATE
A01	—	NEW	Kate	2021/02/22



固定紙板折成三角后放于紙箱四個角以穩固成品(料號04PV0002008)

以9盤作為一個包裝單位，外包PP袋(料號:04PPA001006)。

- NOTE:
- ① 前留空區(8PCS)，無成品。
 - ② 包裝數量250PCS/卷，2250PCS/箱
 - ③ 后留空區(20PCS)，無成品。

 东莞市合陵电子有限公司
DongGuan HeLing Electronic Co.,LTD.

UNLESS OTHERWISE SPECIFIED TOLERANCES	SCALE: 1/1	UNIT: mm	DWG NO.	
	SIZE: A4	PAGE: 2 OF 2		REV: A01
DECIMALS: X :±0.5 X.X :±0.3 X.XX :±0.2	ANGLES: X :±2° X.X :±1°	APPROVED BY DICK	CHECKED BY XSY	PREPARED BY Kate
CUSTOMER COPY				