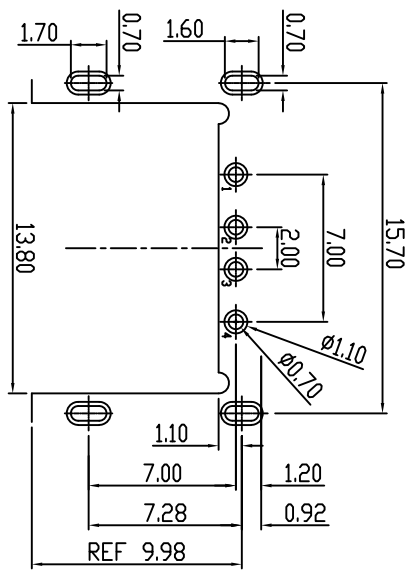
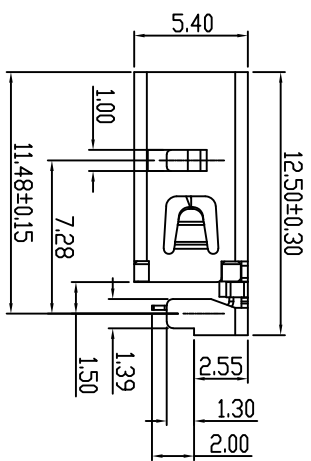
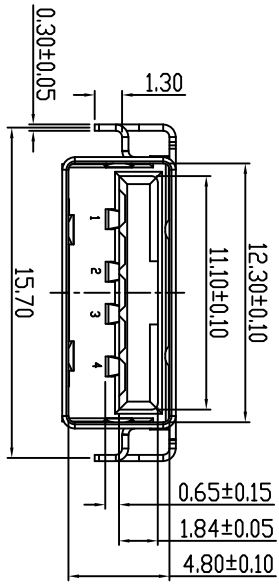
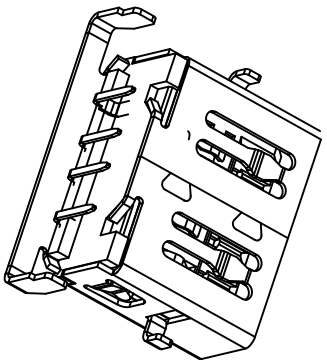
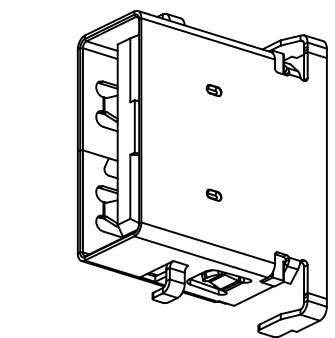
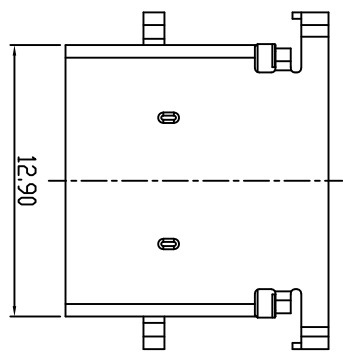
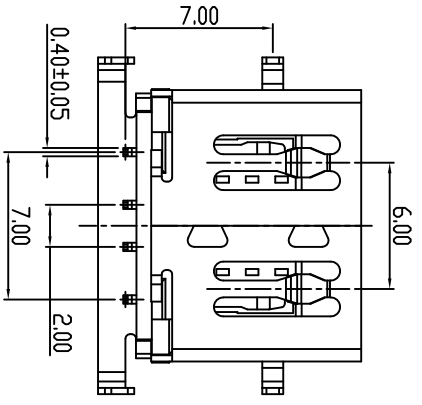


CATEGORY	DESCRIPTION	P/N #
CONNECTOR	USB 2.0 AF DIP型沉板12.55(长端脚)正插	UB22F1-XX11-HLRX23P-X

REV.	ECN NO	DESCRIPTION	REVISED	DATE
A01	—	New Release	Luke	2022.12.12



Tolerance: ± 0.05 Thickness: $1.0 \sim 1.2\text{mm}$
 Recommend PCB Layout
 (Top View)



UB22F1-XX11-HLRX23P-X

X	Housing Color
B	Black
U	Blue 300C

X	Terminal Plating
0	Au 1u" Plating
1	Au 3u" Plating
2	Au 6u" Plating
3	Au 15u" Plating


X	Shell Material
G	SUS
B	Copper Alloy
S	SPCC

c	Shell	1	See Table T=0.3mm	Ni Plating
b	Terminal	4	Copper Alloy T=0.2mm	See Table
a	Housing	1	LCP UL94V-0	See Table
NO.	PART NAME	QTY	MATERIAL	PLATING & COLOR

UNLESS OTHERWISE SPECIFIED TOLERANCES

DECIMALS:	ANGLES:
X : ± 0.5	X : ± 2
XX : ± 0.3	XX : ± 1
XXX : ± 0.2	

1. Electrical Characteristics
- 1-1: Rate Voltage: 30V DC
 - 1-2: Current Rating: 1.5A
 - 1-3: Contact Resistance: 30mΩ MAX.
 - 1-4: Insulation Resistance: 100MΩ MIN.
 - 1-5: Dielectric Withstand Voltage :500V R.M.S
 - 1-6: Operator Temperature: -40°C~85°C
2. MECHANICAL CHARACTERISTICS
- 2-1: UNMATING FORCE: 10N MIN INITIAL; 8N MIN AFTER TEST.
 - 2-2: MATING FORCE: 35N MAX;
 - 2-3: DURABILITY: 1500 CYCLES;

 东莞市合陵电子有限公司
 Dongguan Heling Electronic Co., LTD

SCALE: 1/1	UNIT: mm	DWG. NO:
SIZE: A3	PAGE: 1 OF 1	REV: A01
APPROVED BY	CHECKED BY	PREPARED BY
Tony	XSY	Luke

CUSTOMER COPY