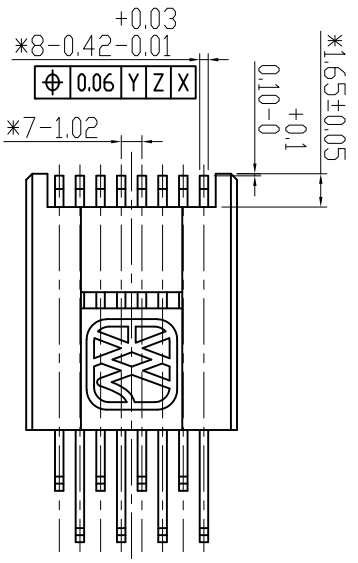
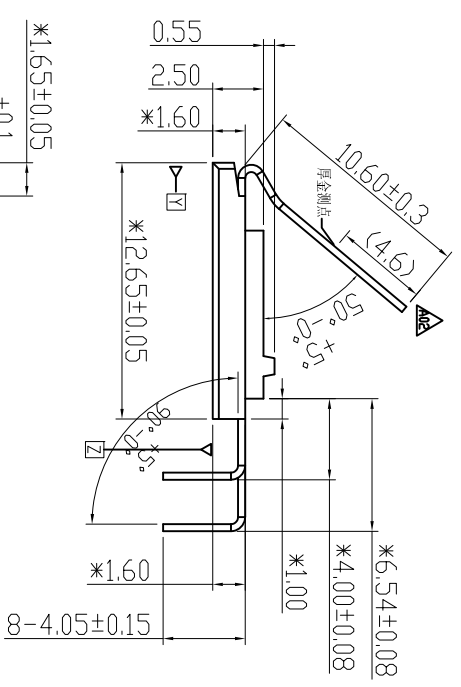
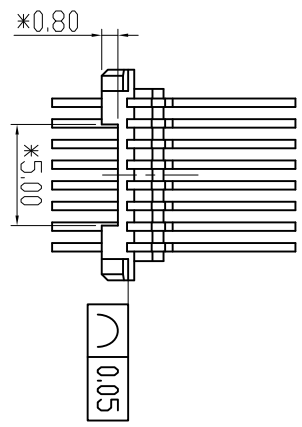
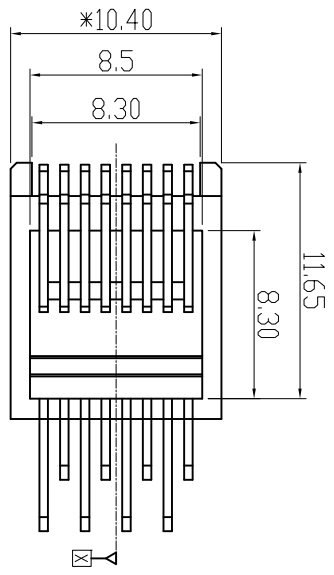
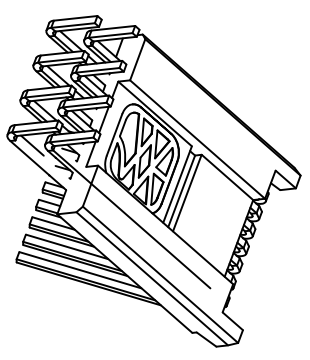



CATEGORY	DESCRIPTION	P/N #
CONNECTOR	RU45 直通式转接头折弯支架1x1	MU8823-B211-HPPI1W

REV.	ECN NO	DESCRIPTION	REVISED	DATE
A01		New Release	Luke	2023.04.07
A02		增加厚金测点	Luke	2023.04.25



- SPECIFICATION**
- VOLTAGE RATING: 125 VAC RMS.
 - CURRENT RATING: 1.5 AMP
 - CONTACT RESISTANCE: 50 mΩ MAX
 - INSULATION RESISTANCE: 500MΩ MIN.
 - WITHSTAND VOLTAGE: AC1000V RMS 50Hz or 60Hz MIN.
 - OPERATING TEMPERATURE: -40°C~+80°C
 - 标” * ”为重点管控尺寸, 标示“CPK”为CPK管控尺寸
 - SALT SPRAY: 48H MIN




东莞市合陵电子有限公司
 DongGuan Heling Electronic Co.,LTD

UNLESS OTHERWISE SPECIFIED TOLERANCES	SCALE: 1/1	UNIT: mm	DWG.NO:
DECIMALS: X :±0.20 X :±2 X X :±0.15 X X :±1 X XX :±0.1	SIZE: A3	PAGE: 1 OF 1	REV: A02

b	TERMINAL	1	PHOSPHOR BRONZE C5191R-H T=0.35mm	Au 6u" PLATING	
a	HOUSING	1	PBT 4830 UL94V-0	BLACK	
NO.	PART NAME	QTY	MATERIAL	PLATING & COLOR	Remark