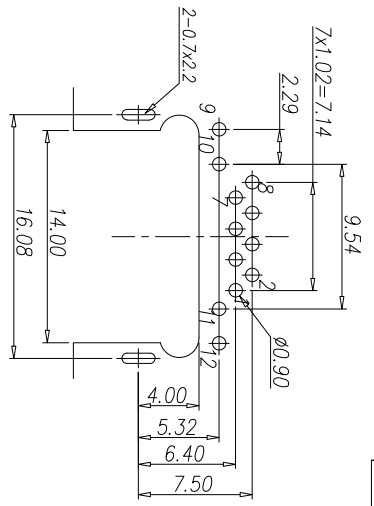
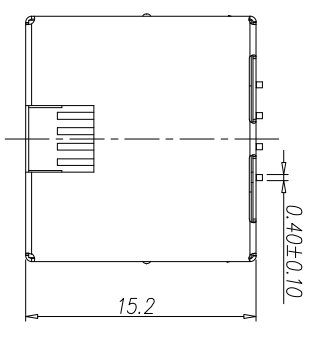


CATEGORY	DESCRIPTION	P/N #
CONNECTOR	Modular Jack, 8P8C, Straddle DIP	MJ88B-XX11-RVLX1-X

料号由原MJ88B-BX11-RVLX1-X  
变更为 MJ88B-XX11-RVLX1-X

REV.	ECN NO	DESCRIPTION	REVISED	DATE
A04	—	增加LED灯选项	YS1	2016.05.05
A05	—	增加LED灯选项	ZSH	2021.08.31



- SPECIFICATIONS:
- RJ Electrical Characteristics
    - Voltage: 150V AC RMS
    - Current Rating: 1.5A
    - Contact Resistance: 40mΩ MAX.
    - Insulation Resistance: 500MΩ MIN.
    - Dielectric Withstand Voltage : 1000V AC
    - Operate Temperature: -40°C~80°C
    - Reflow Soldering Heat : 260±5° 5S

Recommend PCB Layout  
(Jack Top View)  
Tolerance: ±0.05mm

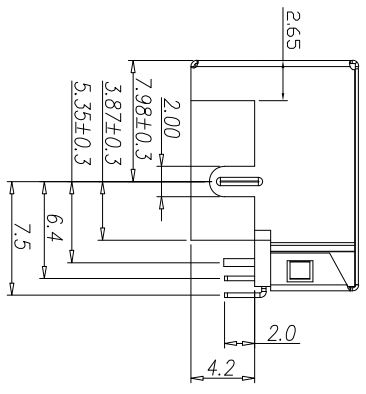
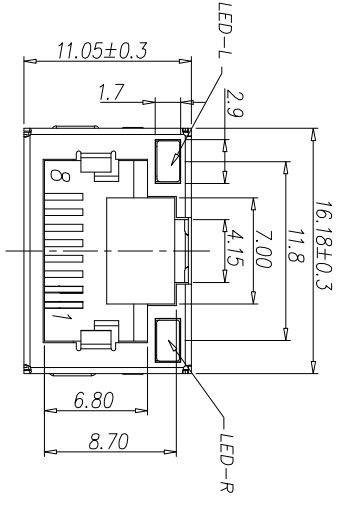


Table 2

X	Housing Color	Housing Material
B	Black	LCP UL94V-0
W	White	PA9T UL94V-0

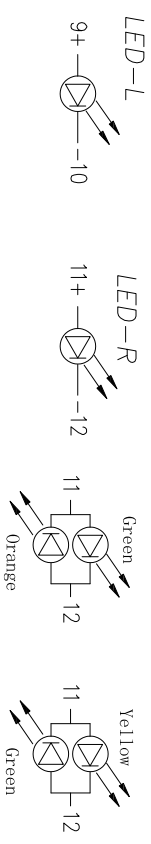
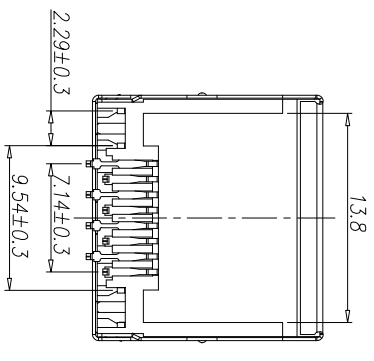
X	包装方式
C	载带包装
P	吸塑包装
C1	载带包装(热封式)

Table 1

X	LED TYPE	LED-L	LED-R
1	LED 塑胶主体透明白色	Yellow	Green
2	LED 塑胶主体透明带颜色区分	Green	Yellow
3	LED 塑胶主体透明带颜色区分	Green	Yellow
4	LED 塑胶主体透明白色	Yellow	Green/Orange
5	LED 塑胶主体透明白色	Green	Yellow/Green
6	LED 塑胶主体透明白色	Green	Yellow/Green

Material & Plating

X	Terminal Plating
0	Au 1u" Plating
1	Au 3u" Plating
2	Au 6u" Plating
3	Au 15u" Plating
4	Au 30u" Plating
5	Au 50u" Plating



e	LED-R	1	See Table 1	Tin Plating
d	LED-L	1	See Table 1	Tin Plating
c	Shielding	1	Brass, T=0.2mm	Ni Plating
b	Terminal	8	Phosphor Bronze, T=0.3mm	Au/Tin Plating
a	Housing	1	See Table 2	See Table 2
NO.	PART NAME	QTY	MATERIAL	PLATING & COLOR

UNLESS OTHERWISE SPECIFIED TOLERANCES

DECIMALS: ANGLES:  
X :±0.5 X :±2°  
XX :±0.3 XX :±1°  
XXX :±0.2

东莞市合陵电子有限公司  
DongGuan Heling Electronic Co.,LTD

SCALE:1/1	UNIT: mm	DWG.NO:
SIZE: A3	PAGE:1 OF 1	REV:A05
APPROVED BY	CHECKED BY	PREPARED BY
DICK	XSY	YST
CUSTOMER COPY		