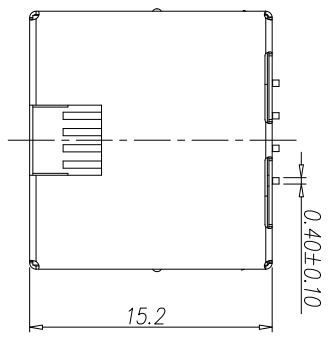


CATEGORY	DESCRIPTION	P/N #
CONNECTOR	Modular Jack, 8P8C, Straddle DIP	MJ88B-BX11-RV1-X

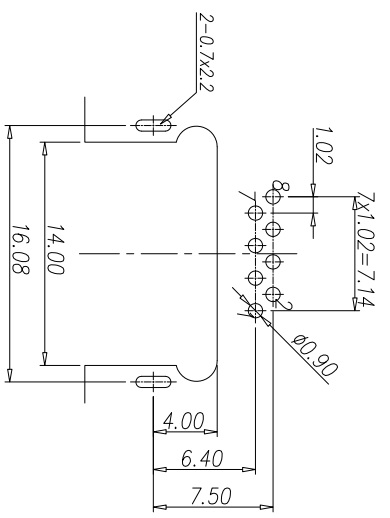
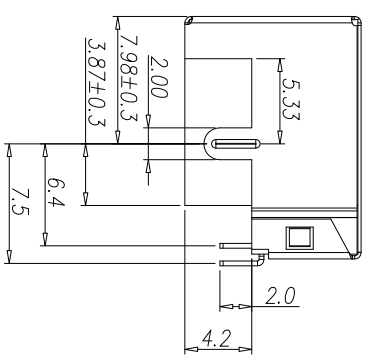
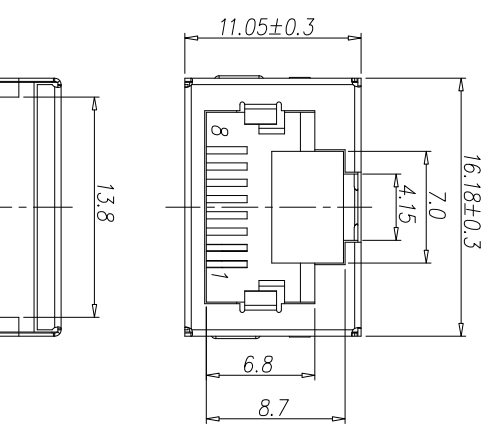
原 MJ88B-BX11-RV1
改为 MJ88B-BX11-RV1-X

REV.	ECN NO	DESCRIPTION	REVISED	DATE
A01	—	New Release	XSY	2010.02.26
A02	—	新增包装方式	SIMON	2016.11.28

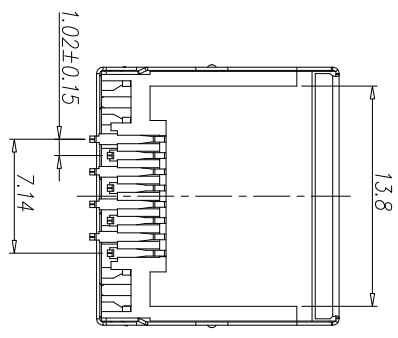


MJ88B-BX11-RV1-X

X	Terminal Plating	X	包装方式
0	Au 1u" Plating	C	卷带包装
1	Au 3u" Plating	P	吸塑盒包装
2	Au 6u" Plating		
3	Au 15u" Plating		
4	Au 30u" Plating		
5	Au 50u" Plating		



Recommend PCB Layout
(Jack Top View)
Tolerance: ±0.05mm



c	Shielding	1	Brass, T=0.2mm	Ni Plating
b	Terminal	8	Phosphor Bronze, T=0.3mm	Au/Tin Plating
a	Housing	1	LCP UL94V-0	Black
NO.	PART NAME	QTY	MATERIAL	PLATING & COLOR

UNLESS OTHERWISE SPECIFIED TOLERANCES		SCALE: 1/1 UNIT: mm		DWG.NO: W-061-003	
DECIMALS:	ANGLES:	SIZE: A3	PAGE: 1 OF 1	REV: A02	W-061-003
X : ±0.5	X : ±2°	APPROVED BY	CHECKED BY	PREPARED BY	
X.X : ±0.3	X.X : ±1°	DICK	XSY	XSY	
X.XX : ±0.2		CUSTOMER COPY			


东莞市合陵电子有限公司
 Connector: Dongguan Heling Electronic Co., LTD