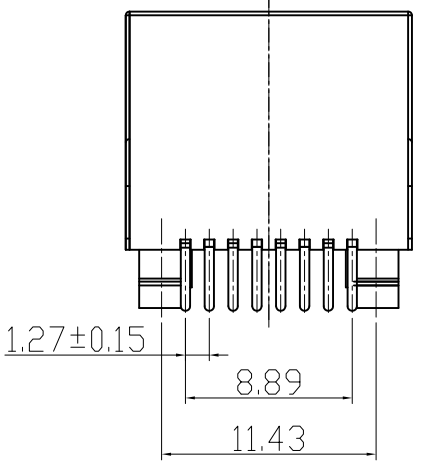
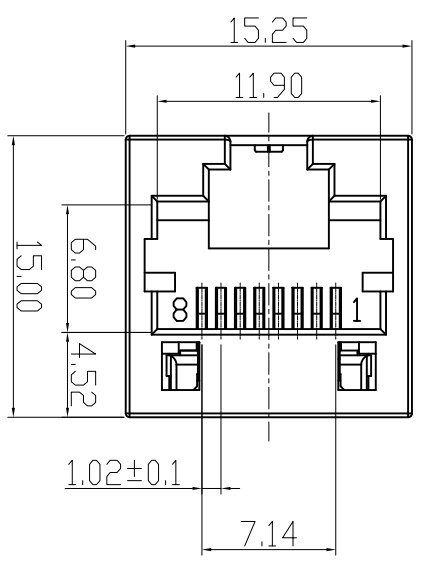


CATEGORY	DESCRIPTION	P/N #
CONNECTOR	RJ45 180度插板全塑	MJ882-XX11-HXPDN1

由原料号 MJ882-XX11-HPPDN1
变更为 MJ882-XX11-HXPDN1

REV.	ECN NO	DESCRIPTION	REVISED	DATE
A01	—	整理图面	XSY	2015.09.15
A02	—	新增塑胶材质选项	XSY	2016.06.05
A03	—	新增一款颜色	FHF	2017.01.04



- SPECIFICATION**
- VOLTAGE RATING: 125 VAC RMS.
 - CURRENT RATING: 1.5 AMP
 - CONTACT RESISTANCE: 40 mΩ MAX
 - INSULATION RESISTANCE: 500MΩ MIN.
 - WITHSTAND VOLTAGE: AC1000V RMS 50Hz or 60Hz MIN.
 - OPERATING TEMPERATURE: -40°C~+80°C

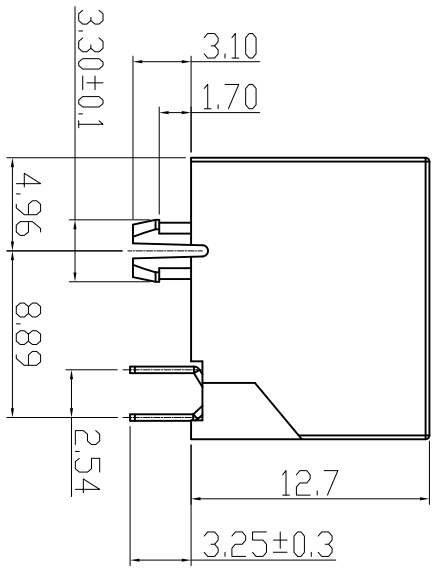
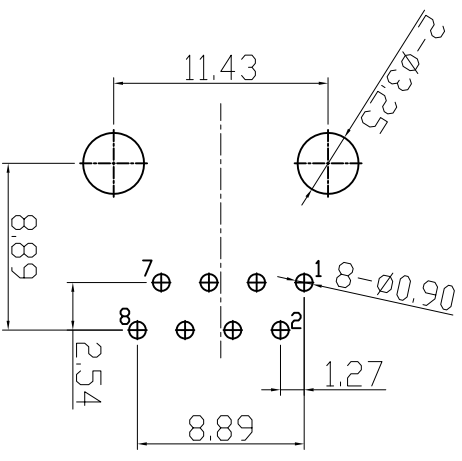


Table 1

X	Housing Color
B	Black
G	Gray
Y	Yellow 2003C

Table 2

X	Terminal Plating
0	Au 1u" Plating
1	Au 3u" Plating
2	Au 6u" Plating
3	Au 15u" Plating
4	Au 30u" Plating

Table 3

X	塑胶材质
P	PBT
L	LCP
9	PA9T

Recommend PCB Layout
(Jack Top View)
Tolerance: ±0.05mm
Recommend PCB Thickness: 1.6mm

c	TERMINAL	8	PHOSPHOR BRONZE T=0.35mm	Au/Tin PLATING	
b	INSERT	1	SEE TABLE 3	BLACK	
a	HOUSING	1	SEE TABLE 3	SEE TABLE 1	
NO.	PART NAME	QTY	MATERIAL	PLATING & COLOR	Remark

UNLESS OTHERWISE SPECIFIED TOLERANCES

DECIMALS:	ANGLES:
X : ±0.5	X : ±2°
X.X : ±0.3	X.X : ±1°
X.XX : ±0.2	

东莞市合陵电子有限公司
 Dongguan Heling Electronic Co.,LTD
 Connector

SCALE: 1/1	UNIT: mm	DWG.NO:
SIZE: A3	PAGE: 1 OF 1	REV: A03
APPROVED BY	CHECKED BY	PREPARED BY
DICK	XSY	XSY
CUSTOMER COPY		