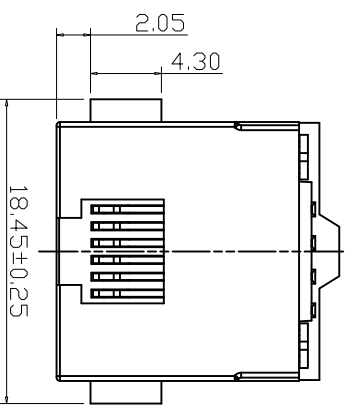


CATEGORY	DESCRIPTION	P/N #
CONNECTOR	Modular Jack, 8P8C, R/A, with LED	MJ88-XX11-RNVLX

Table 2		
X	HOUSING	
B	LCP BLACK	
W	PA9T WHITE	

Table 1		
X	LED-L	LED-R
1	Green	Yellow
2	Yellow	Green

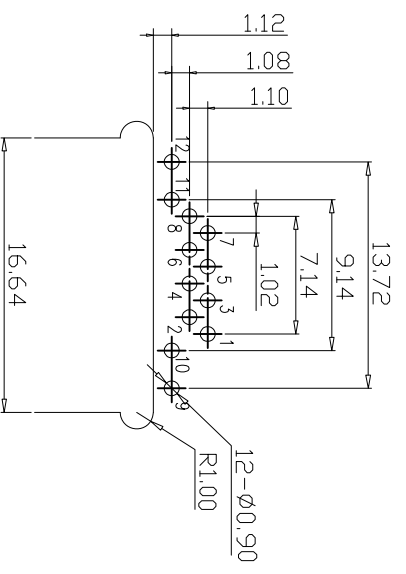
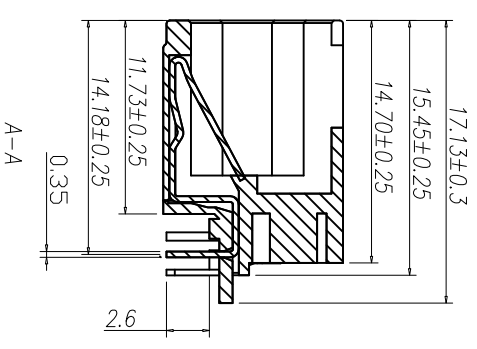
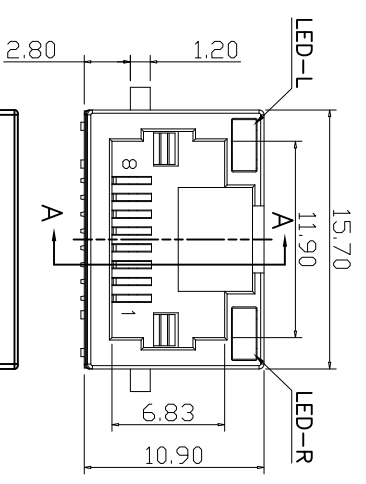
REV.	ECN NO	DESCRIPTION	REVISED	DATE
A01	—	整理圖面	XSY	2015.5.11
A02	—	增加主體顏色	XSY	2018.05.21
A03	—	增加PLUG拉力管控	XSY	2018.06.21



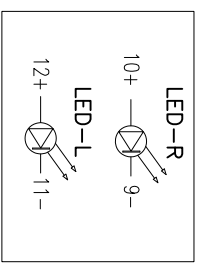
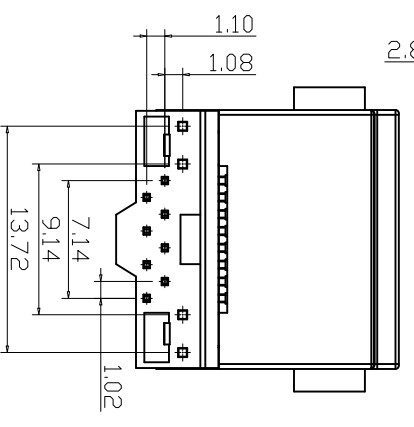
X	Terminal Plating
0	Au 1u" Plating
1	Au 3u" Plating
2	Au 6u" Plating
3	Au 15u" Plating
4	Au 30u" Plating

**SPECIFICATION**

- CURRENT RATING: 1.5AMPS
- VOLTAGE RATING: 125V AC
- INSULATION RESISTANCE: 500MΩ MIN.
- WITHSTAND VOLTAGE: AC1000V RMS 50Hz or 60Hz MIN.
- CONTACT RESISTANCE: 40mΩ MAX.
- DURABILITY: 750 MATING CYCLES
- OPERATING TEMPERATURE: -25°C~+70°C
- EXTRACTION FORCE: 6.0kgf MIN



Recommend PCB Layout  
Jack Top View  
Tolerance: ±0.05mm  
Recommend PCB Thickness: 1.6mm



e	LED-R	1	SEE TABLE 1	Table 1	
d	LED-L	1	SEE TABLE 1	Table 1	
c	COVER	1	Table 2	Table 2	
b	TERMINAL	8	PHOSPHOR BRONZE	Au/Tin PLATING	
a	HOUSING	1	Table 2	Table 2	
NO.	PART NAME	QTY	MATERIAL	PLATING & COLOR	Remark

UNLESS OTHERWISE SPECIFIED TOLERANCES

DECIMALS: ANGLES:

X : ±0.5 X : ±2°

X.X : ±0.3 X.X : ±1°

X.XX : ±0.2 X.XX : ±0.2

**東莞市合陵電子有限公司**  
DongGuan Heling Electronic Co.,LTD

SCALE: 1/1 UNIT: mm DWG.NO: W-061-104

SIZE: A3 PAGE: 1 OF 1 REV: A03

APPROVED BY: XSY CHECKED BY: XSY PREPARED BY: XSY

DICK: XSY

CUSTOMER COPY