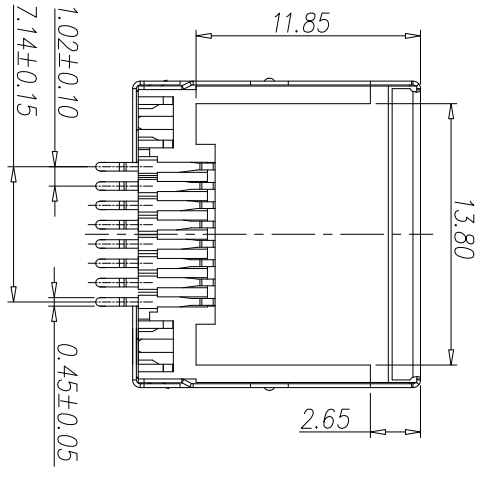
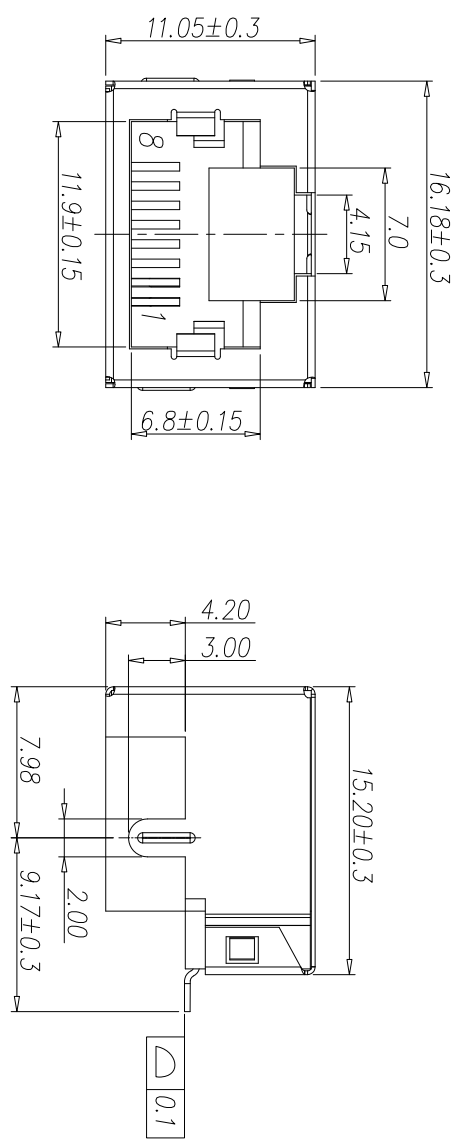


CATEGORY	DESCRIPTION	P/N #
CONNECTOR	Modular Jack, 8P8C, Straddle SMT	MJ88B-BX11-HLRVS1-X

原料号 MJ88B-BX11-RV SX
合并入 MJ88B-BX11-HLRVS1-X

REV.	ECN NO	DESCRIPTION	REVISED	DATE
A01	—	New Release	XSY	2017.09.06
A02	—	变更端子结构, 缩短端子脚长	XSY	2018.01.27



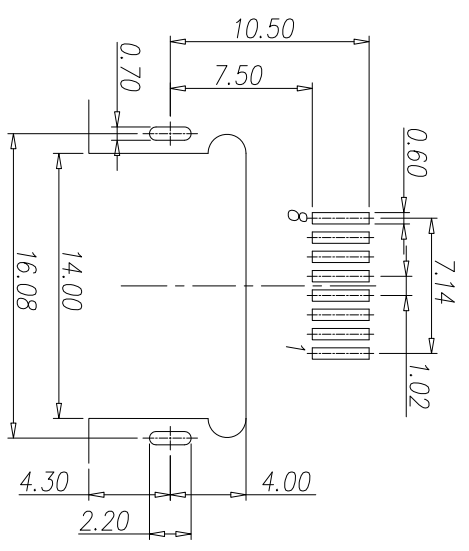
MJ88B-BX11-HLRVS1-X

Table 1

X	Terminal Plating
0	Au 1u" Plating
1	Au 3u" Plating
2	Au 6u" Plating
3	Au 15u" Plating
4	Au 30u" Plating
5	Au 50u" Plating

X	包装方式
C	载带包装
P	吸塑盒包装

- SPECIFICATIONS:
- RJ Electrical Characteristics
 - 1-1: Voltage: 150V AC RMS
 - 1-2: Current Rating: 1.5A
 - 1-3: Contact Resistance: 40mΩ MAX.
 - 1-4: Insulation Resistance: 500MΩ MIN.
 - 1-5: Dielectric Withstand Voltage : 1000V AC
 - 1-6: Operatue Temperature: -40°C~80°C



Recommend PCB Layout
(Jack Top View)
Tolerance: ±0.05mm

c	Shielding	1	Brass, T=0.2mm
b	Terminal	8	Phosphor Bronze, T=0.3mm
a	Housing	1	LCP UL94V-0
NO.	PART NAME	QTY	MATERIAL

	Ni Plating
	See Table 1
	Black
	PLATING & COLOR

UNLESS OTHERWISE SPECIFIED TOLERANCES

DECIMALS: ANGLES:

X : ±0.5 X : ±2°

X.X : ±0.3 X.X : ±1°

X.XX : ±0.2


东莞市合陵电子有限公司
 DongGuan Heling Electronic Co.,LTD

SCALE: 1/1	UNIT: mm	DWG.NO:
SIZE: A3	PAGE: 1 OF 1	REV: A02
APPROVED BY	CHECKED BY	PREPARED BY
Tony	XSY	LCZ
CUSTOMER COPY		