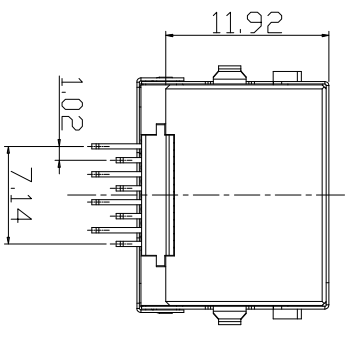
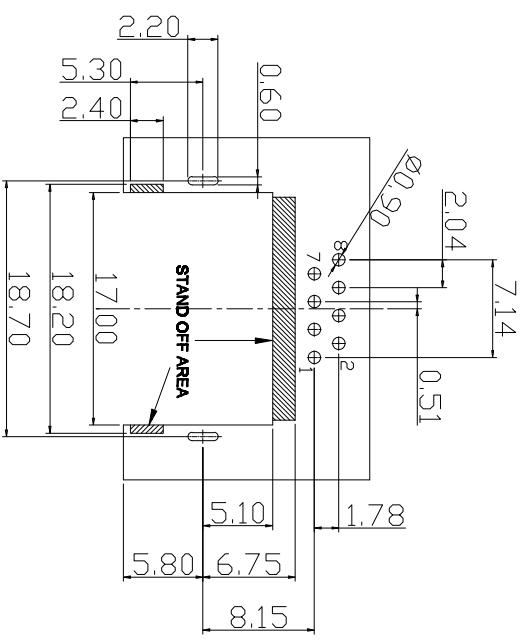
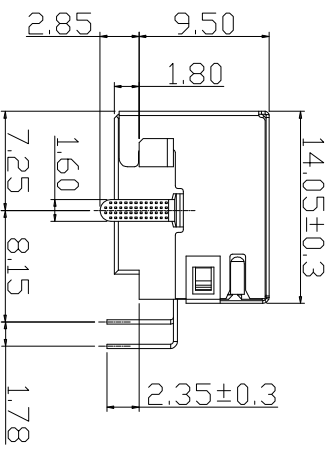
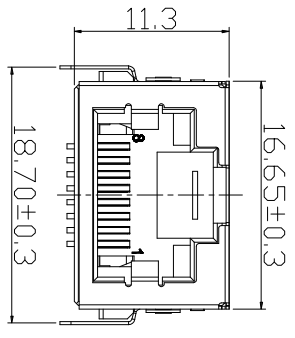
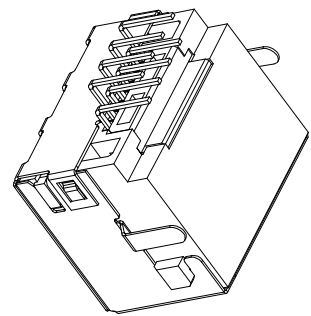
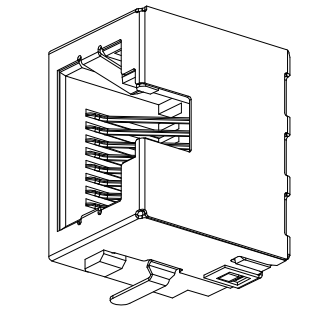
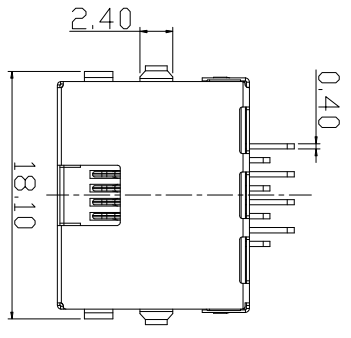


CATEGORY	DESCRIPTION	P/N #
CONNECTOR	RJ45 8P8C 带壳版本=1.8mm	MJ88-BX11-GRV2-XX

REV.	ECN NO	DESCRIPTION	REVISED	DATE
A02		包装数量区分	XSY	2016.09.18
A03		增加包装方式选项	XSY	2018.7.4



Part No.:
MJ88-BX11-GRV2-XX

X	Terminal Plating	X	PACK TYPE	X	吸塑包装
0	Au 1u" Plating	C	卷带包装自热式	1	70PCS/盘
1	Au 3u" Plating	C1	卷带包装热封式	2	90PCS/盘
2	Au 6u" Plating	P	吸塑包装		
3	Au 15u" Plating				
4	Au 30u" Plating				

Recommend PCB Layout
(Jack Top View)
Tolerance: ±0.05mm
Recommend PCB Thickness: 1.6mm

d	SHELL	1	BRASS T=0.2mm	NI PLATING	
c	TERMINAL	8	PHOSPHOR BRONZE T=0.3mm	AU PLATING	
b	COVER	1	THERMOPLASTIC UL94V-0	BLACK	
a	HOUSING	1	THERMOPLASTIC UL94V-0	BLACK	
NO.	PART NAME	QTY	MATERIAL	PLATING & COLOR	Remark

UNLESS OTHERWISE SPECIFIED TOLERANCES	DECIMALS:	ANGLES:
	X : ±0.5	X : ±2°
	XX : ±0.3	XX : ±1°
	XXX : ±0.2	

东莞市合陵电子有限公司
 Dongguan Heling Electronic Co., LTD
 Connector

SCALE: 1/1 UNIT: mm DWG. NO.:
 SIZE: A3 PAGE: 1 OF 1 REV: A03 W/I-061-050
 APPROVED BY: _____ CHECKED BY: _____ PREPARED BY: _____
 DICK: XSY XSY XSY
CUSTOMER COPY