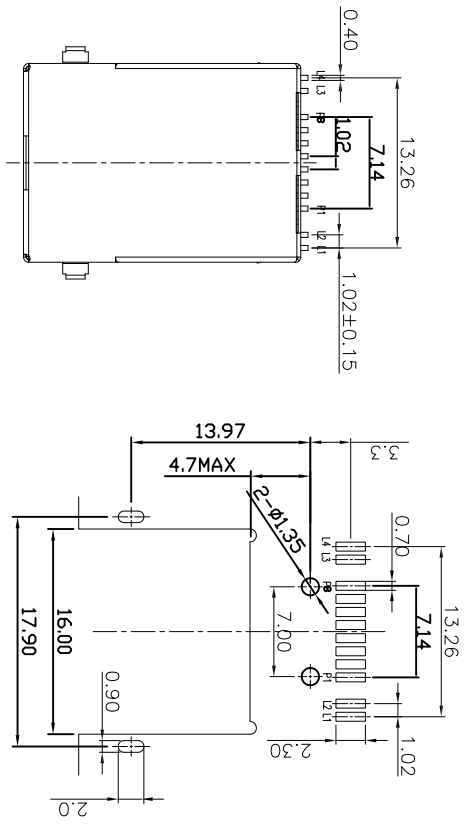
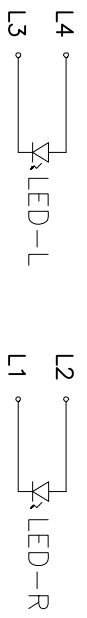
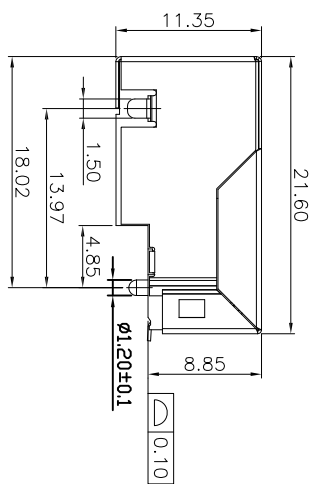
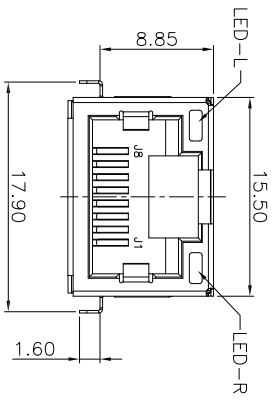


CATEGORY	DESCRIPTION	P/N #
CONNECTOR	RJ45+Transformer 流線SMT 100Mbps	MJ6A-B211-HRLXT001-1X

REV.	ECN NO	DESCRIPTION	REVISED	DATE
X01	---	NEW RELEASE	XSY	2017.06.21
A01	---	整理发行	XSY	2017.9.15

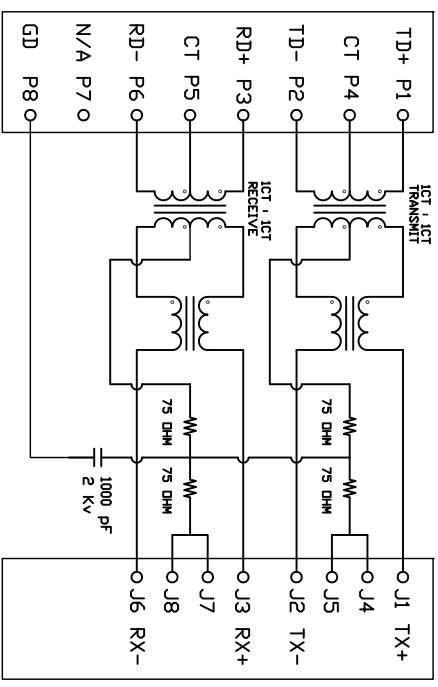


Recommended PCB Layout
(Tol: ±0.05, T=1.60±0.05mm)



9	LED-R	1	See Table	Tin PLATING	
f	LED-L	1	See Table	Tin PLATING	
e	SHELL	1	BRASS	Ni PALTING	
d	SOLDER TERMINAL	12	BRASS	Tin PALTING	
c	CONTACT TERMINAL	8	PHOSPHOR BRONZE	Au 6u" PALTING	
b	INSERT	1	LCP UL94V-0	BLACK	
a	HOUSING	1	LCP UL94V-0	BLACK	
NO.	PART NAME	QTY	MATERIAL	PLATING & COLOR	Remark

1. Turn Ratio (+/-2%): 1CT:1CT
2. Inductance OCL: 350uH Min@100KHz/0.1V DC BIAS 8mA
3. Insertion Loss:
 - 1.0dB MAX@1.0-100MHz
 - 1.2dB MAX@100-125MHz
4. Return Loss:
 - 20dB Min@1-30MHz
 - 16dB Min@30-60MHz
 - 12dB Min@60-80MHz
 - 10dB Min@80-100MHz
5. Cross Talk:
 - 40dB Min@1-30MHz
 - 35dB Min@30-60MHz
 - 30dB Min@60-100MHz
6. Common Mode Reflection:
 - 30dB Min@1-50MHz
 - 20dB Min@50-150MHz
7. OPERATING TEMPERATURE RANGE: 0-70°C



UNLESS OTHERWISE SPECIFIED TOLERANCES

SCALE: 1/1 UNIT: mm
PAGE: 1 OF 1 REV: A01
DWG. NO:

东莞市合陵电子有限公司
 Dongguan Heling Electronic Co., LTD

DECIMALS:	ANGLES:	APPROVED BY	CHECKED BY	PREPARED BY
X : ±0.5	X : ±2°	DICK	XSY	XSY
XX : ±0.3	XX : ±1°			
XXX : ±0.2				

CUSTOMER COPY