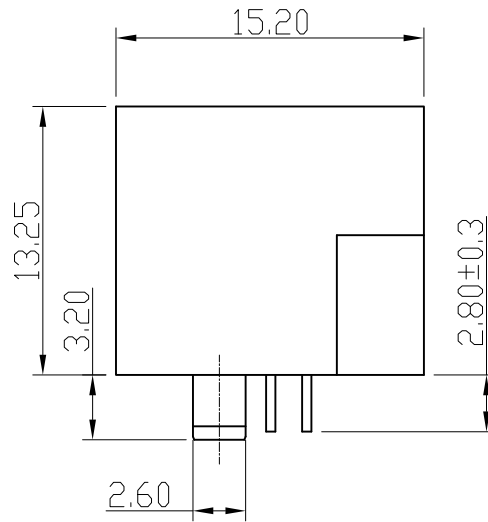
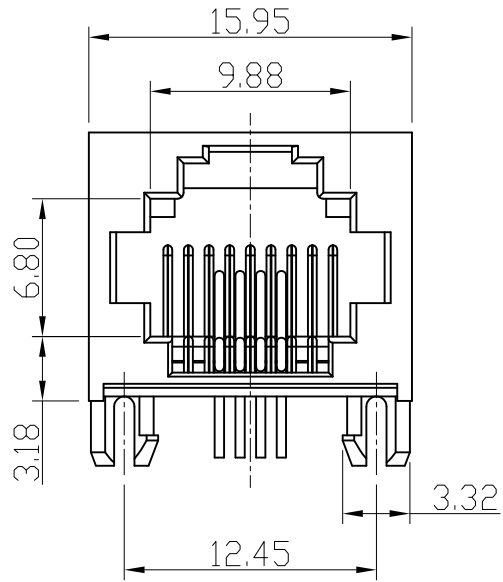


4	3	
CATEGORY	DESCRIPTION	P/N #
CONNECTOR	RJ11 6P4C 全塑不带灯	MJ64-XX11-HPRDN1

1	2	3	4	5
REV.	ECN NO	DESCRIPTION	REVISED	DATE
A01		New Release	XSY	2018/9/14



SPECIFICATION

- VOLTAGE RATING: 150 VAC RMS
- CURRENT RATING: 1.5 AMP
- CONTACT RESISTANCE: 40 mΩ MAX
- INSULATION RESISTANCE: 500MΩ MIN
- WITHSTAND VOLTAGE: AC 1000V RMS 60S
- OPERATING TEMPERATURE: -40°C ~ +80°C

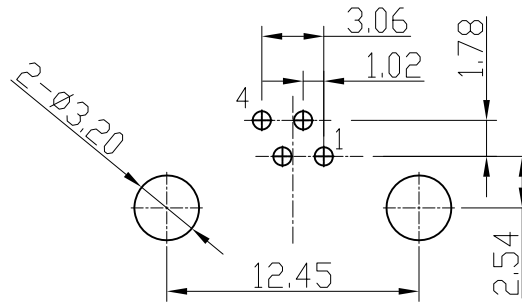
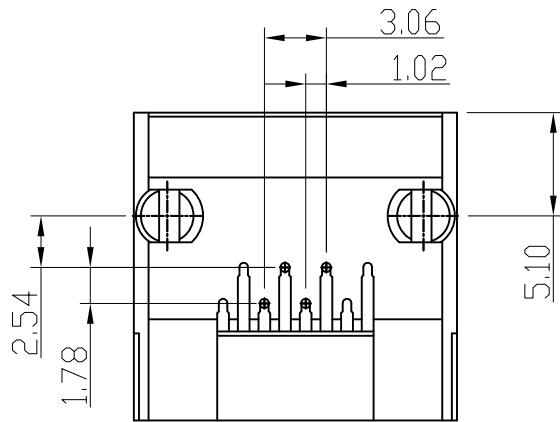
MJ64-XX11-HPRDN1

TABLE 1

X	HOUSING
B	BLACK
G	GRAY D113C

TABLE 1

X	Terminal Plating
0	G/F Plating
1	Au 3u" Plating
2	Au 6u" Plating
3	Au 15u" Plating



RECOMMEND PCB LAYOUT
(JACK TOP VIEW)

TOLERANCE: ±0.05MM
RECOMMEND PCB THICKNESS: 1.6MM

b	TERMINAL	4	PHOSPHOR BRONZE $\phi 0.46\text{mm}$	SEE TABLE 2	
a	HOUSING	1	PBT UL94V-0	SEE TABLE 1	
NO.	PART NAME	Q'TY	MATERIAL	PLATING & COLOR	Remark

UNLESS OTHERWISE SPECIFIED TOLERANCES

DECIMALS: X :±0.5 X.X :±0.3 X.XX :±0.2
ANGLES: X :±2° X.X :±1°


東莞市合陵電子有限公司
DongGuan HeLing Electronic Co.,LTD

SCALE: 1/1	UNIT: mm	DWG. NO:
SIZE: A3	PAGE: 1 OF 1	REV: A01
APPROVED BY	CHECKED BY	PREPARED BY
ZDC	XSY	XSY
CUSTOMER COPY		