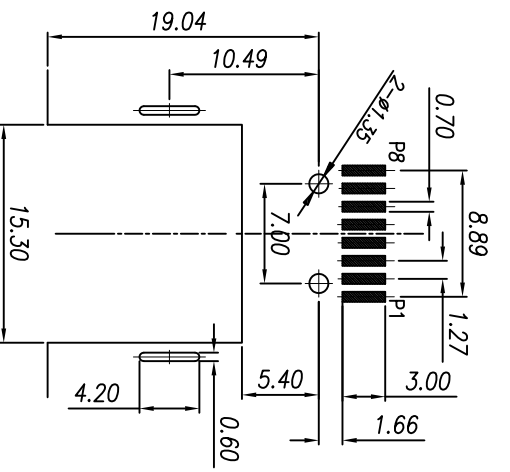
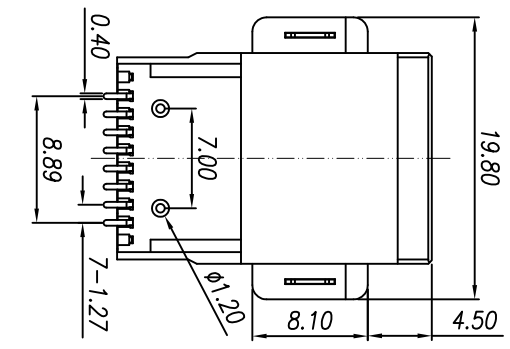
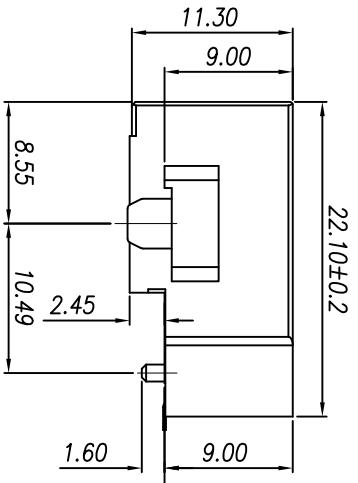
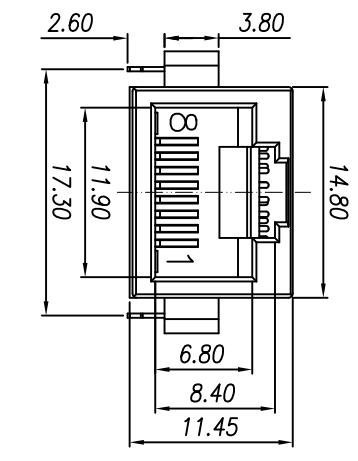


4	2	1	1
CATEGORY	DESCRIPTION	P/N #	REV.
CONNECTOR	RJ45 8P8C 100Mbps 沉板式 SMT	MJ6-BX11-HXRVNT001-X	A01
CONNECTOR	DESCRIPTION	REVISED	DATE
	NEW RELEASE	YST	2019.04.02



MJ6-BX11-HXRVNT001-X

TABLE 1

X	Terminal Plating
0	Au 1u" Plating
1	Au 3u" Plating
2	Au 6u" Plating
3	Au 15u" Plating
4	Au 30u" Plating
5	Au 50u" Plating

X	包装方式
C	卷带包装
P	吸塑盒包装

TABLE 2

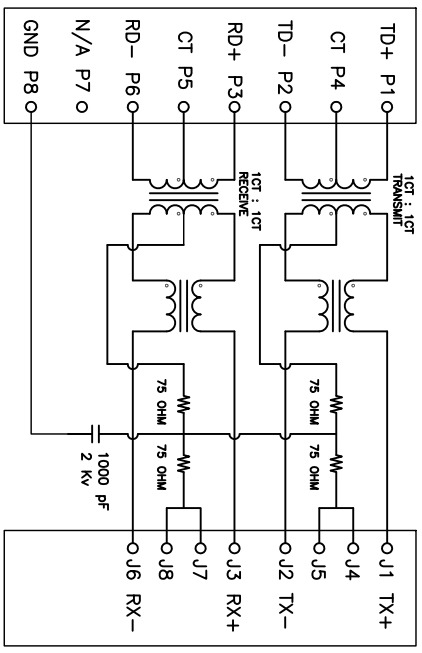
X	MATERIAL
L	LCP
8	PA6T

ELECTRICAL SPECIFICATIONS @ 25°C+/-5°C

Insertion Loss: 1-100MHz -1.0dB MAX  
 Return Loss: 1-30MHz -18.0dB MIN  
 30-60MHz -16.0dB MIN  
 60-80MHz -12.0dB MIN  
 80-100MHz -10.0dB MIN

Cross Talk: 1-30MHz -40.0dB MIN  
 30-60MHz -35.0dB MIN  
 60-80MHz -30.0dB MIN

Turn Ratio: 1CT:1CT+/-3%  
 CMR:1-100MHz -35.0dB MIN  
 Hi-Pot: 1000V AC 2S 1mA  
 OCL:350uH MIN @ 100KHZ 100mV 8mA DC  
 Operating temperature range:0°C to +70°C



Recommend PCB Layout  
Jack Top View

NO.	PART NAME	QTY	MATERIAL	PLATING & COLOR	Remark
e	ME	2	BRASS	Matte-Tin Plating	
d	SOLDER TERMINAL	8	BRASS	Matte-Tin PLATING	
c	CONTACT TERMINAL	8	PHOSPHOR BRONZE	Au PLATING	
b	COVER	1	LCP UL94V-0	BLACK	
a	HOUSING	1	SEE TABLE2 UL94V-0	BLACK	

UNLESS OTHERWISE SPECIFIED TOLERANCES:	DECIMALS:	ANGLES:
	X :±0.5	X :±2°
	XX :±0.3	XX :±1°
	XXX :±0.2	

东莞市合陵电子有限公司  
 Dongguan Heling Electronic Co.,LTD

SCALE:1/1	UNIT: mm	DWG.NO:
SIZE: A3	PAGE:1 OF 1	REV: A01
APPROVED BY	CHECKED BY	PREPARED BY
DICK	XSY	YST
CUSTOMER COPY		