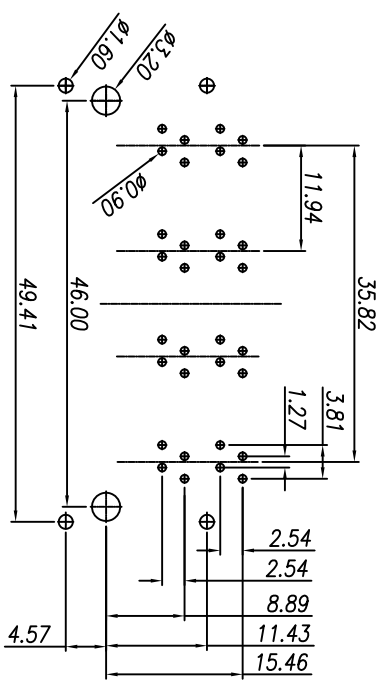
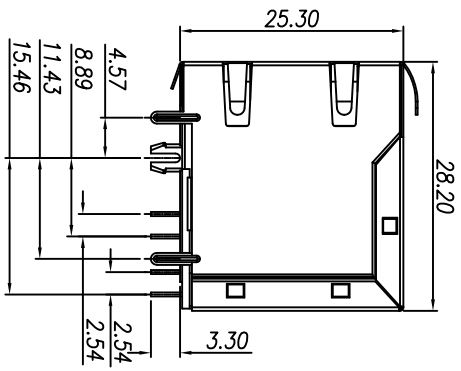
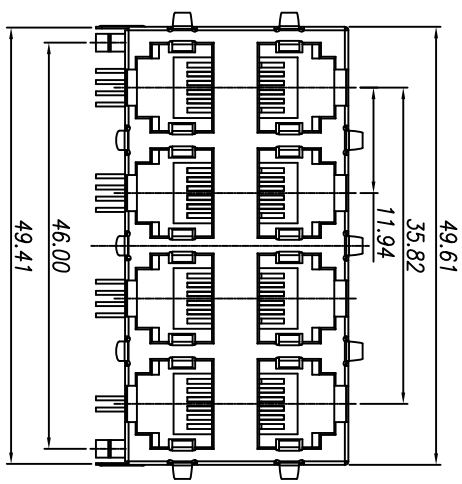
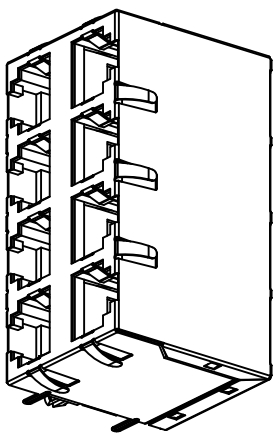
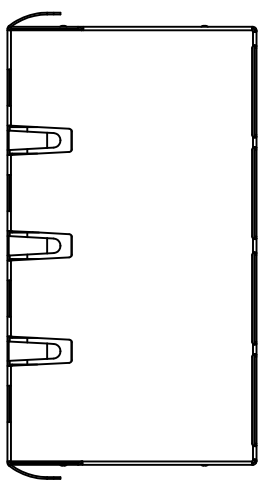


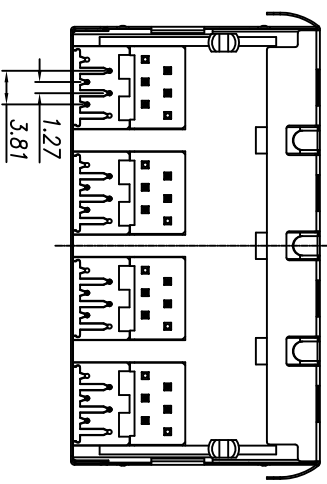
CATEGORY	DESCRIPTION	P/N #
CONNECTOR	RU11 6P4C 2x4 DIP 带弹无灯	MJ5964B-BX24-HPRDS1

REV.	ECN NO	DESCRIPTION	REVISED	DATE
A01		New Release	YST	2020.08.22



MJ5964B-BX24-HPRDS1

PC BOARD COMPONENT SIDE SHOWN



X	Terminal Plating
0	G/F Plating
1	Au 3u" Plating
2	Au 6u" Plating
3	Au 15u" Plating
4	Au 30u" Plating

- SPECIFICATIONS:
1. R_l Electrical Characteristics
 - 1-1: Voltage: 150V AC RMS
 - 1-2: Current Rating: 1.5A
 - 1-3: Contact Resistance: 40mΩ MAX.
 - 1-4: Insulation Resistance: 500MΩ MIN.
 - 1-5: Dielectric Withstang Voltage :1000V AC
 - 1-6: Operatue Temperature: -40°C~80°C

d	Shielding	1	Brass, T=0.2mm	Ni Plating
c	Terminal	32	Phosphor Bronze, Ø0.46	Au Plating
b	Insert	8	PBT UL94V-0	Black
a	Housing	1	PBT UL94V-0	Black
NO.	PART NAME	QTY	MATERIAL	PLATING & COLOR

UNLESS OTHERWISE SPECIFIED TOLERANCES		SCALE: 1/1	UNIT: mm	DWG. NO:
DECIMALS:	ANGLES:	SIZE: A3	PAGE: 1 OF 1	REV: A01
X : ±0.5	X : ±2°	APPROVED BY	CHECKED BY	PREPARED BY
XX : ±0.3	XX : ±1°	DICK	XSY	YST
XXX : ±0.2		CUSTOMER COPY		



 东莞市合陵电子有限公司
Dongguan Heling Electronic Co., LTD