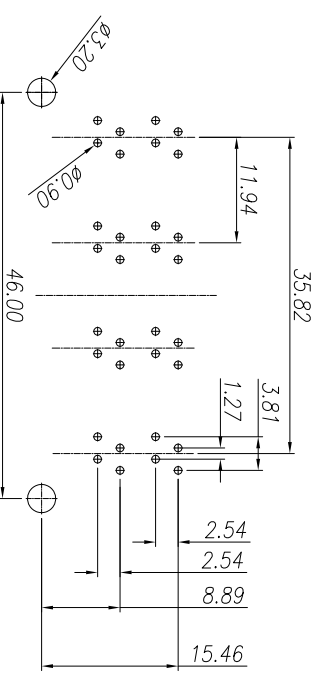
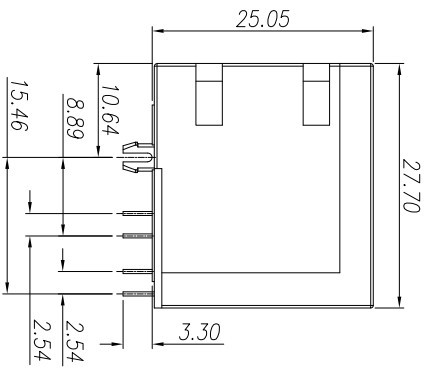
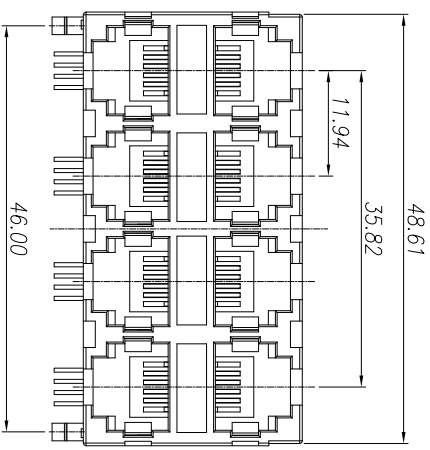
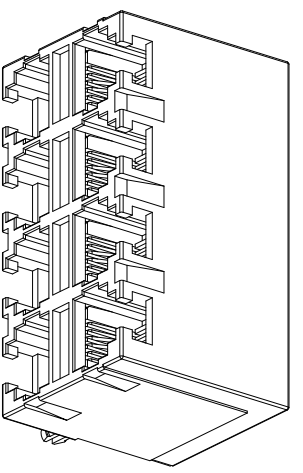
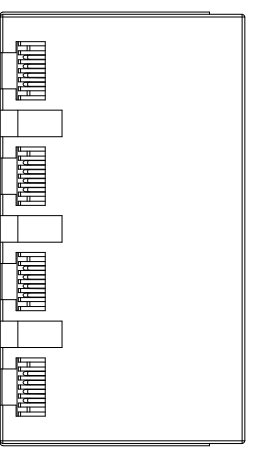


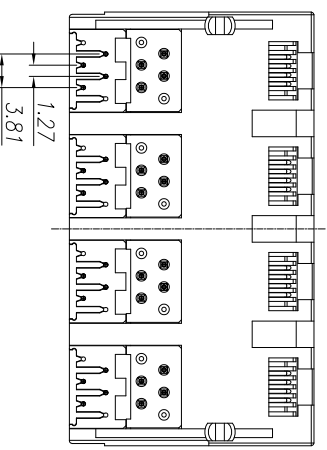
CATEGORY	DESCRIPTION	P/N #
CONNECTOR	RJ11 6P4C 2x4 DIP 全塑无灯	MJ5964B-BX24-HPRDN1

REV.	ECN NO.	DESCRIPTION	REVISED	DATE
A01		New Release	Jsa	2023.07.14



MJ5964B-BX24-HPRDN1

PC BOARD COMPONENT SIDE SHOWN



X	Terminal Plating
0	G/F Plating
1	Au 3u" Plating
2	Au 6u" Plating
3	Au 15u" Plating
4	Au 30u" Plating

- SPECIFICATIONS:
- RJ Electrical Characteristics
 - 1-1: Voltage: 150V AC RMS
 - 1-2: Current Rating: 1.5A
 - 1-3: Contact Resistance: 40mΩ MAX.
 - 1-4: Insulation Resistance: 500MΩ MIN.
 - 1-5: Dielectric Withstand Voltage :1000V AC
 - 1-6: Operate Temperature: -40°C~80°C

UNLESS OTHERWISE SPECIFIED TOLERANCES

SCALE: 1/1 UNIT: mm



东莞市合陵电子有限公司
Dongguan Heling Electronic Co., LTD

c	Terminal	32	Phosphor Bronze, Ø0.46	Au Plating
b	Insert	8	PBT UL94V-0	Black
a	Housing	1	PBT UL94V-0	Black
NO.	PART NAME	QTY	MATERIAL	PLATING & COLOR

DECIMALS:	ANGLES:	APPROVED BY	CHECKED BY	PREPARED BY
X :±0.5	X :±2	DICK	XSY	Jsa
XX :±0.3	XX :±1	CUSTOMER COPY		
XXX :±0.2				