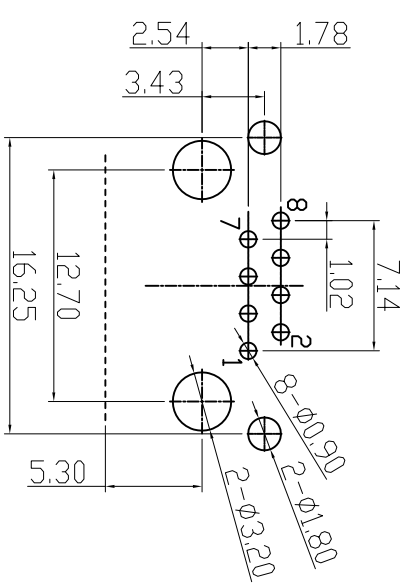
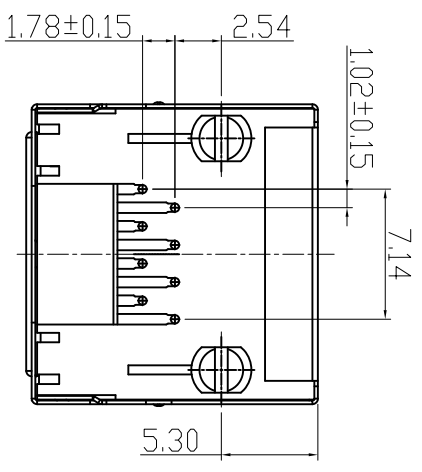
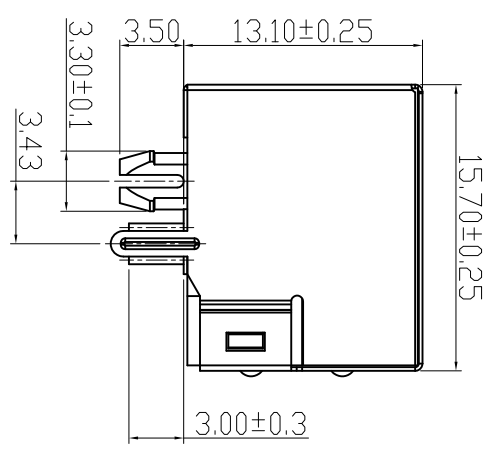
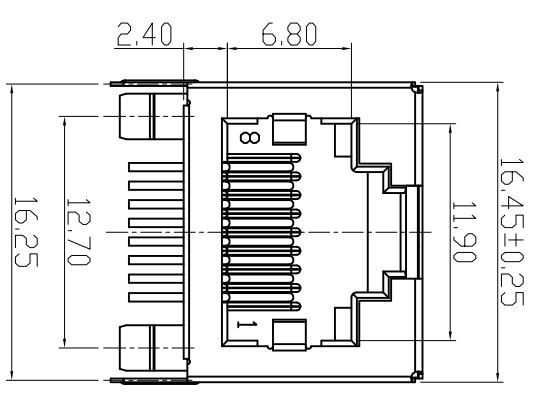


CATEGORY	DESCRIPTION	P/N #
CONNECTOR	RJ45 8P8C 带壳无灯	MJ5688-XX11-GR1

由原料号 MJ5688-BX11-GR1
变更为 MJ5688-XX11-GR1

REV.	ECN NO	DESCRIPTION	REVISED	DATE
A02		修正PCB LAYOUT	XSY	2015.07.09
A03		新增塑胶材质	XSY	2015.08.24
A04		新增电绞规格选项	ZSH	2020.07.30



- SPECIFICATION**
- VOLTAGE RATING: 150 VAC RMS.
 - CURRENT RATING: 1.5 AMP
 - CONTACT RESISTANCE: 40 mΩ MAX
 - INSULATION RESISTANCE: 500MΩ MIN.
 - WITHSTAND VOLTAGE: AC1000V RMS 60s.
 - OPERATING TEMPERATURE: -40°C~+80°C

Recommend PCB Layout
(Jack Top View)
Tolerance: ±0.05mm
Recommend PCB Thickness: 1.6mm


MJ5688-XX11-GR1

X	Housing Color	Housing Material
B	Black	PBT UL94V-0
U	Blue	PBT UL94V-0
Y	Yellow	PBT UL94V-0
1	Black	PA9T UL94V-0
2	Blue	PA9T UL94V-0
3	Yellow	PA9T UL94V-0

X	Terminal Plating
0	Au G/Fu" Plating
1	Au 3U" Plating
2	Au 6U" Plating
3	Au 15u" Plating
8	Au 5u" Plating

NO.	PART NAME	QTY	MATERIAL	PLATING & COLOR	Remark
c	SHELL	1	BRASS T=0.2mm	NI: PALTING	
b	TERMINAL	8	PHOSPHOR BRONZE ∅0.46mm	SEE TABLE 2	
a	HOUSING	1	See Table 1	See Table 1	

UNLESS OTHERWISE SPECIFIED TOLERANCES		DECIMALS:		ANGLES:	
X	:±0.5	X	:±2°	X	:±1°
X	:±0.3	X	:±1°	X	:±1°
X	:±0.2	X	:±1°	X	:±1°


东莞市合陵电子有限公司
 Dongguan Heling Electronic Co.,LTD
 Connector

SCALE: 1/1	UNIT: mm	DWG. NO:
SIZE: A3	PAGE: 1 OF 1	REV: A04
APPROVED BY	CHECKED BY	PREPARED BY
DICK	XSY	XSY

CUSTOMER COPY