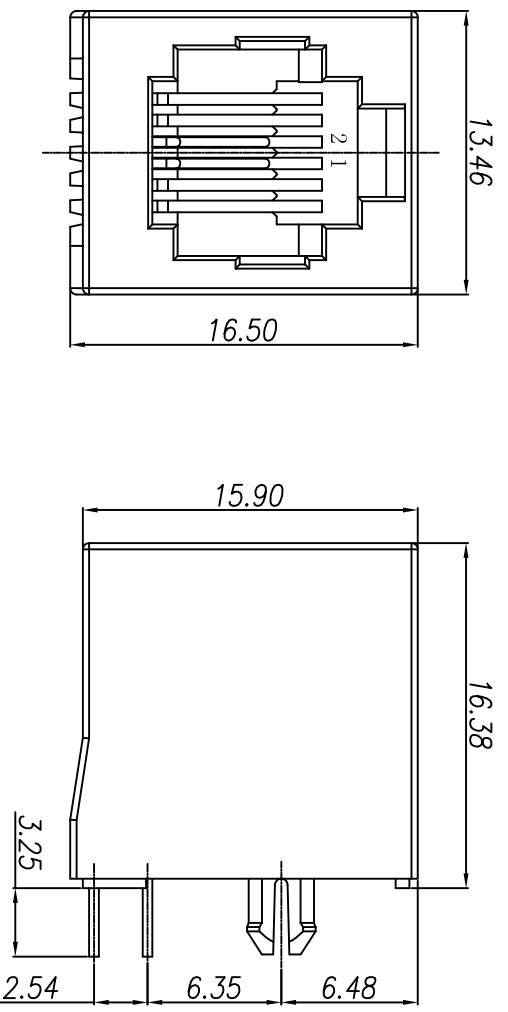
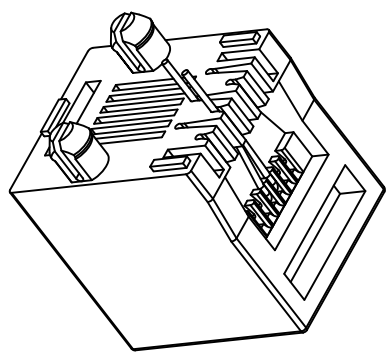
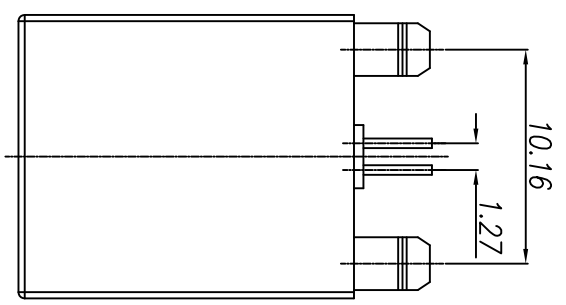


CATEGORY	DESCRIPTION	P/N #
CONNECTOR	RJ11 6P2C全塑180度直插 H16.38	MJ522262-XX11-HPN1

REV.	ECN NO	DESCRIPTION	REVISED	DATE
A01		NEW RELEASE	YST	2020.12.29

REV.	ECN NO	DESCRIPTION	REVISED	DATE
A01		NEW RELEASE	YST	2020.12.29



- SPECIFICATION**
- VOLTAGE RATING: 125 VAC RMS.
 - CURRENT RATING: 1.5 AMP
 - CONTACT RESISTANCE: 40 mΩ MAX
 - INSULATION RESISTANCE: 500MΩ MIN.
 - WITHSTAND VOLTAGE: 500VAC RMS 60S.
 - OPERATING TEMPERATURE: -40°C~+80°C

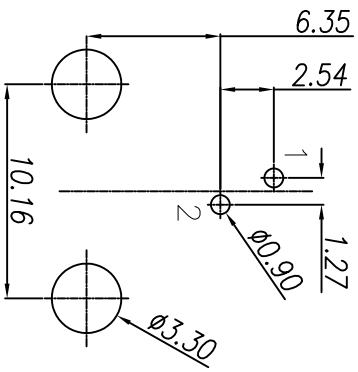
MJ522262-XX11-HPN1

TABLE 1

X	HOUSING
B	BLACK
G	GRAY(D113C)
G1	GREEN 355C

TABLE 2

X1	Terminal Plating
0	Au G/F Plating
1	Au 3u" Plating
2	Au 6u" Plating
3	Au 15u" Plating



Recommend PCB Layout
Jack Top View
Tolerance: ±0.05mm

 东莞市合陵电子有限公司
Dongguan Heling Electronic Co., LTD
Connector

UNLESS OTHERWISE SPECIFIED TOLERANCES	SCALE: 1/1	UNIT: mm	DWG. NO:
DECIMALS: X :±0.5	APPROVED BY	CHECKED BY	PREPARED BY
ANGLES: X :±2°	DICK	XSY	YST
X.X :±0.3	CUSTOMER COPY		
X.XX :±0.2			

b	TERMINAL	2	PHOSPHOR BRONZE	Ø0.46mm	SEE TABLE2	
d	HOUSING	1	PBT UL94V-0		SEE TABLE1	
NO.	PART NAME	QTY	MATERIAL	PLATING & COLOR	Remark	