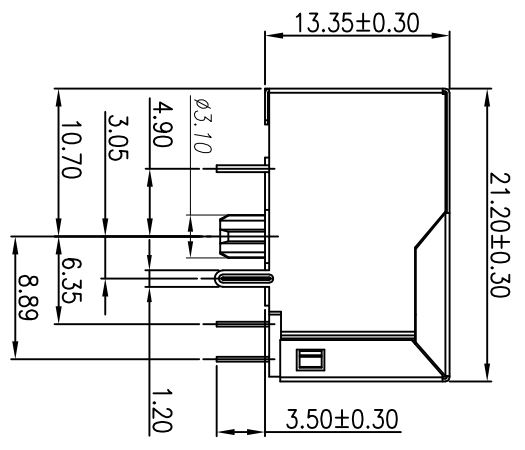
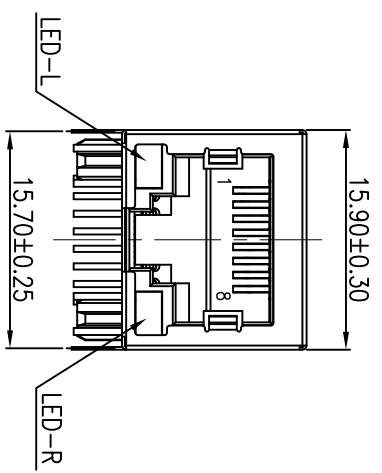


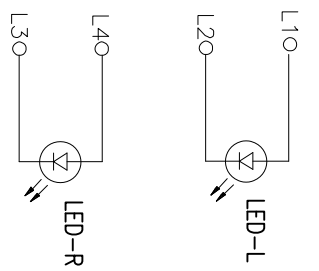
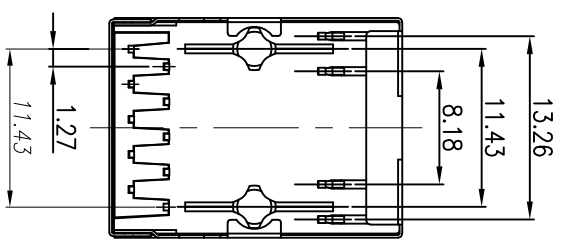
CATEGORY	DESCRIPTION	P/N #	REV.	ECN NO	DESCRIPTION	REVISED	DATE
CONNECTOR	RJ45 1*1 1000兆滤波带壳带灯	MJ1A-B211-RLX2T118-0	A01		整理图面	Jsq	2023.08.17



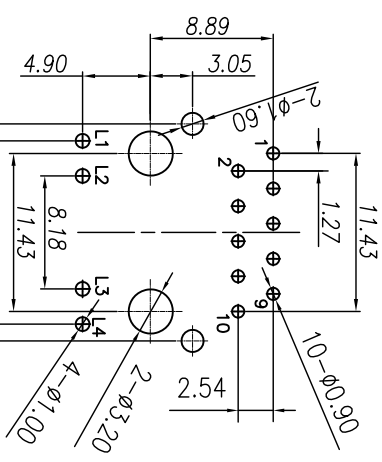
MJ1A-B211-RLX2T118-0

TABLE 1

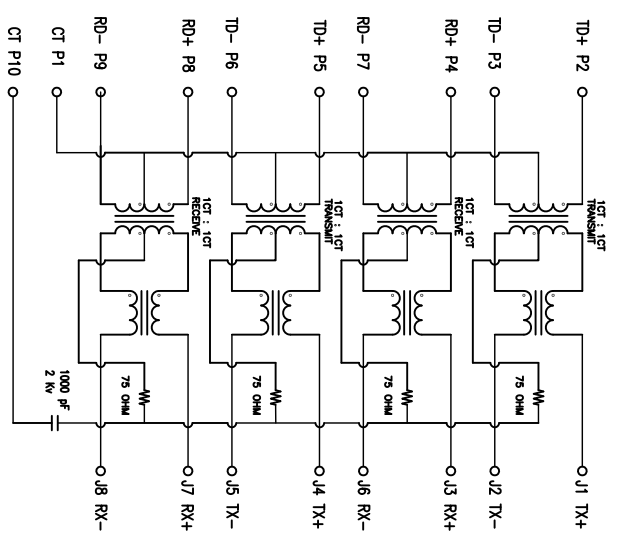
X	LED-L	LED-R
1	GREEN	YELLOW
2	YELLOW	GREEN



Recommend PCB Layout
(Jack Top View)
Tolerance: ±0.05mm
Recommend PCB Thickness: 1.6mm



ELECTRICAL SPECIFICATIONS @ 25°C+/-5°C
 Insertion Loss: 1-100MHZ -1.0DB MAX
 Return Loss: 1-30MHZ -16.0DB MIN
 30-60MHZ -14.0DB MIN
 60-80MHZ -10.0DB MIN
 Cross Talk: 1-30MHZ -40.0DB MIN
 30-60MHZ -35.0DB MIN
 60-80MHZ -30.0DB MIN
 Turn Ratio: 1CT:1CT+/-3%
 CMR:1-100MHZ -35.0DB MIN
 Hi-Pot: 1000v AC 2S 1mA
 OCL:350uH MIN @ 100KHZ 100mv 8mA DC
 Operating temperature range:-40°C to +85°C



G	LED-R	1	See Table1	Tin PALTING	
F	LED-L	1	See Table1	Tin PALTING	
E	SHELL	1	BRASS	NI PALTING	
D	SOLDER TERMINAL	10	BRASS	Tin PALTING	
C	CONTACT TERMINAL	8	PHOSPHOR BRONZE	Au 6u" PALTING	
B	COVER	1	PBT UL94V-0	BLACK	
A	HOUSING	1	PBT UL94V-0	BLACK	
NO.	PART NAME	QTY	MATERIAL	PLATING & COLOR	Remark

UNLESS OTHERWISE SPECIFIED TOLERANCES
 DECIMALS: ANGLES:
 X :±0.5 X :±2
 XX :±0.3 XX :±1
 XXX :±0.2 XXX :±1

東莞市合陵電子有限公司
 DongGuan Heling Electronic Co.,LTD
 Connector

SCALE:1/1	UNIT: mm	DWG.NO:
SIZE: A3	PAGE:1 OF 1	REV: A01
APPROVED BY	CHECKED BY	PREPARED BY
DICK	XSY	Jsq
CUSTOMER COPY		