

4	3	2	1
CATEGORY	DESCRIPTION	P/N #	
CONNECTOR	DC Power Jack	DC511B-11XL0-001-X	

REV.	ECN NO	DESCRIPTION	REVISED	DATE
A01		New Release	YST	2016.5.16

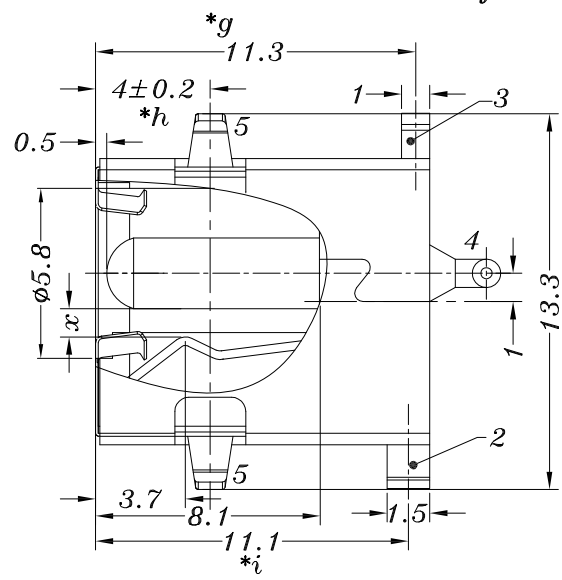
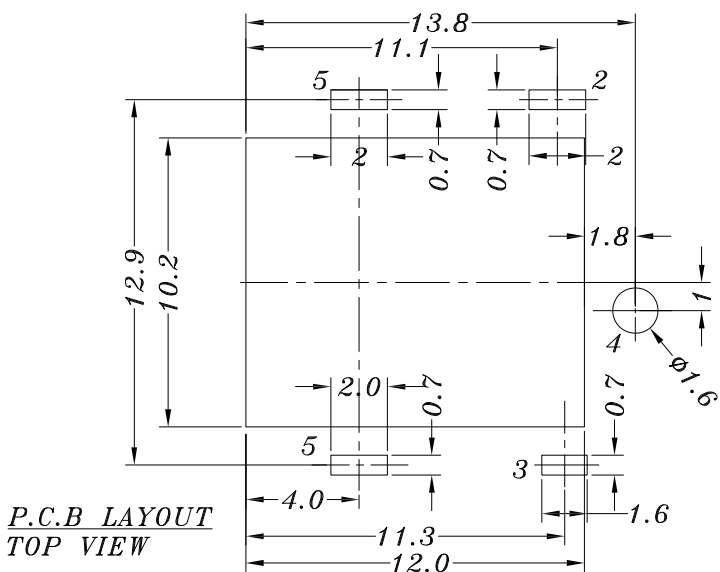
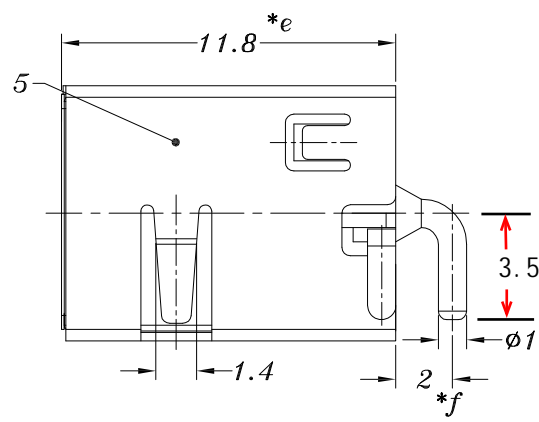
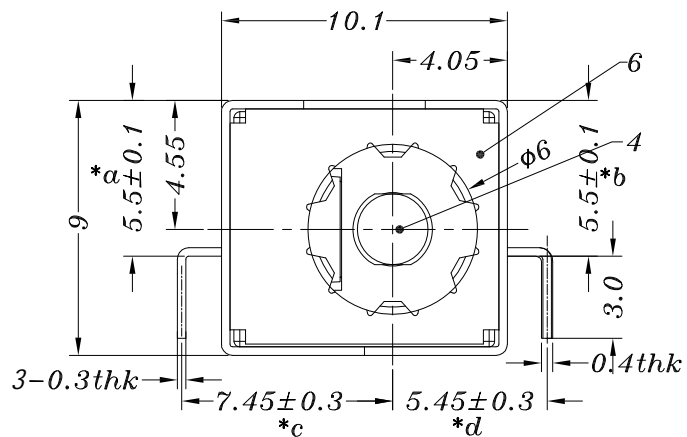
SPECIFICATION

1. Rating: DC 12V 7A;
2. Contact Resistance: $\leq 0.03\Omega$ MAX;
3. Insulation resistance: $\geq 100M\Omega$ (DC250V);
4. Withstand voltage :500VAC;
5. Insertion and extraction force: 3~40N;
6. Life test: 5,000 cycles.

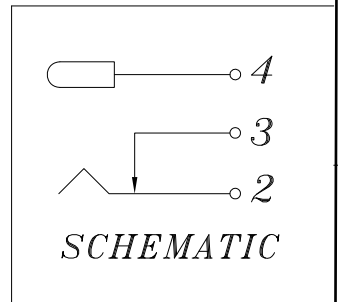
DC511B-11XL0-001-X

Pin OD	Pin OD
X	1.65
5	2.00
7	2.50
9	

X : C --- 载带自粘
C1 --- 载带热封
P --- 袋装



PIN	φ1.65	φ2.0	φ2.5
DIM x	1.45	1.25	1.0
APPD.			



7	DC511 FIXED PIECE	SUS	1	WASHING
6	DC511 COVER	SUS	1	Ni PLATED
5	DC511B COAT	SUS	1	Ni PLATED
4	DC511 PING	BRASS	1	Ni PLATED
3	DC511 CURVE PIECE	BRASS	1	Ag PLATED
2	DC511 SPRING	PBS	1	Ag PLATED
1	DC511 CASE	LCP	1	
NO.	PART NAME	MATERIAL	QTY	FINISHING

UNLESS OTHERWISE SPECIFIED TOLERANCES

DECIMALS: X :±0.5 X.X :±0.3 X.XX :±0.2

ANGLES: X :±2° X.X :±1°

東莞市合陵電子有限公司
Connector DongGuan HeLing Electronic Co.,LTD

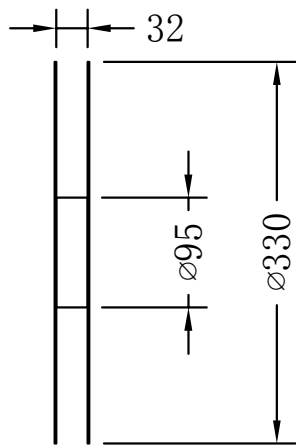
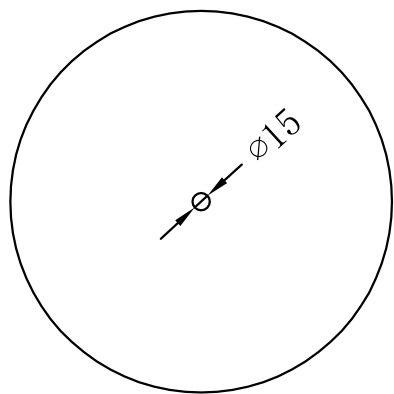
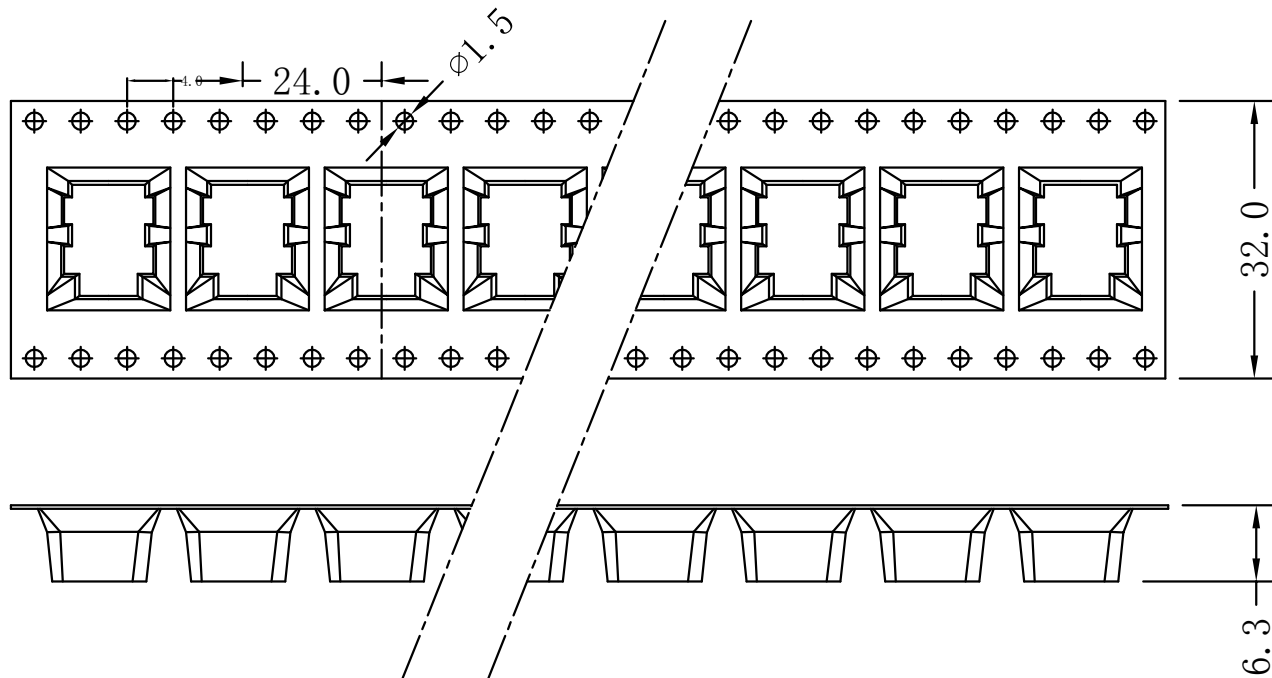
SCALE:1/1 UNIT: mm DWG.NO:

SIZE: A4 PAGE: 10F1 REV:A02

APPROVED BY	CHECKED BY	PREPARED BY
DICK	XSY	YST

CUSTOMER COPY

ROHS
2002/95/EC



一卷可编300pcs
一箱装 3600pcs

UNIT: MM	TYPE:	MODEL NO:	PAPER NO: A4	PAGE 1 OF 1	
		DC511B-11XL0-001-X	TOLERANCE	ANGLES	SCALE
			±0.3	±2'	FULL
DESIGNER					0
CHECK					
APPROVED BY:	Wang Jingli				
DATE :	2009-10-29				



东莞市合陵电子有限公司