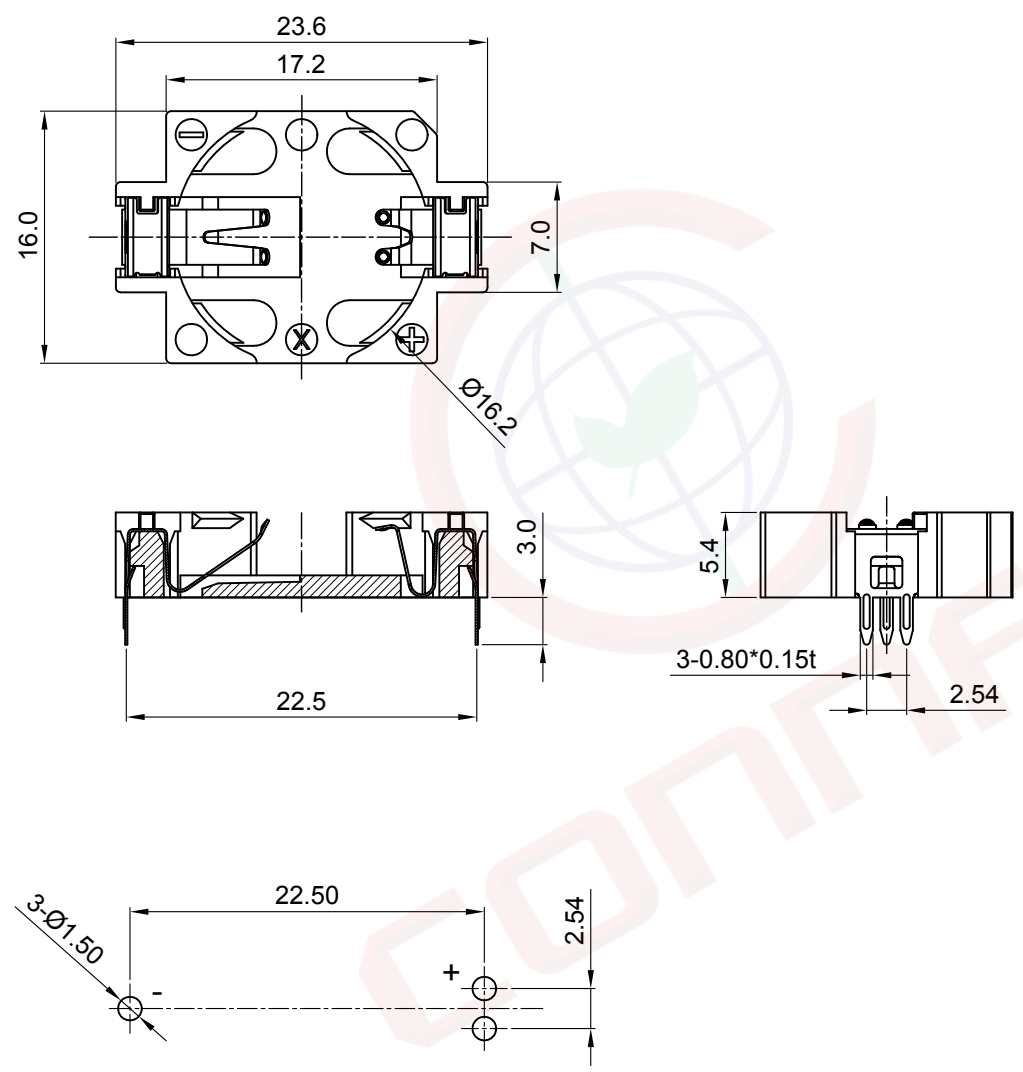


Dept	Qty
DC	1
ED	1
IE	1
ISO	1
PD	1
R&D	1
SD	1
QA	1
QC	1
QF	1

The information provided herein is from CONNELY Electronic Co., Ltd. and is confidential. Any disclosure to a party other than the recipient is prohibited. The intellectual properties and its rights contained herein, including but not limited to, trademarks, patents, copyrights, trade secrets, and technical know-how, are owned exclusively by CONNELY or its affiliates. Unauthorized use of this information for any purpose other than the intended purpose is strictly prohibited. CONNELY may enforce its intellectual property rights at its own discretion, failures or delays to exercise such rights does not constitute a waiver of such rights.



REV.	DESCRIPTION	DRAWN	CHECKED	APPROVED
A	NEW RELEASE	JLZ 10/10/22'		

NOTE:

- Materials:
 - 1.1 Base: Thermoplastic, UL94 V-0, Color of white.
Temp. Range: -40°C to +105°C.
 - 1.2 Positive & Negative Contacts: Copper Alloy.
- Specification:
 - 2.1 Dielectric Withstanding Voltage: AC 500V AC.
 - 2.2 Insulation Resistance: 1000MΩ min.
 - 2.3 Contact Resistance: 100mΩ Max.
- Part Number Code:
DS1092-18 - X X X - X X

- Packing type:
T: Tray
R: Tape on reel
- Mounting type:
V: V/T type
- Housing material:
L: LCP
- Contact plating:
8: Gold
- Housing color:
W: White

GENERAL TOLERANCE		ANGLE TOLERANCE		PROJECTION		TITLE	
X.	±0.60	X.	±5°	UNITS	mm	1632 DIP BATTERY HOLDER	
.X	±0.38	.X	±3°	SHEET SIZE	A4	SERIES	DS1092-18 SERIES
.XX	±0.25	.XX	±2°	晨翔电子有限公司 CONNELY CONNELY ELECTRONIC CO. LTD			
DRAWING TYPE		CUSTOMER					
SCALE	1:1	SHEET	1 OF 1				
DRAWING NO.		C-DS1092-18-XXX-XX-A					