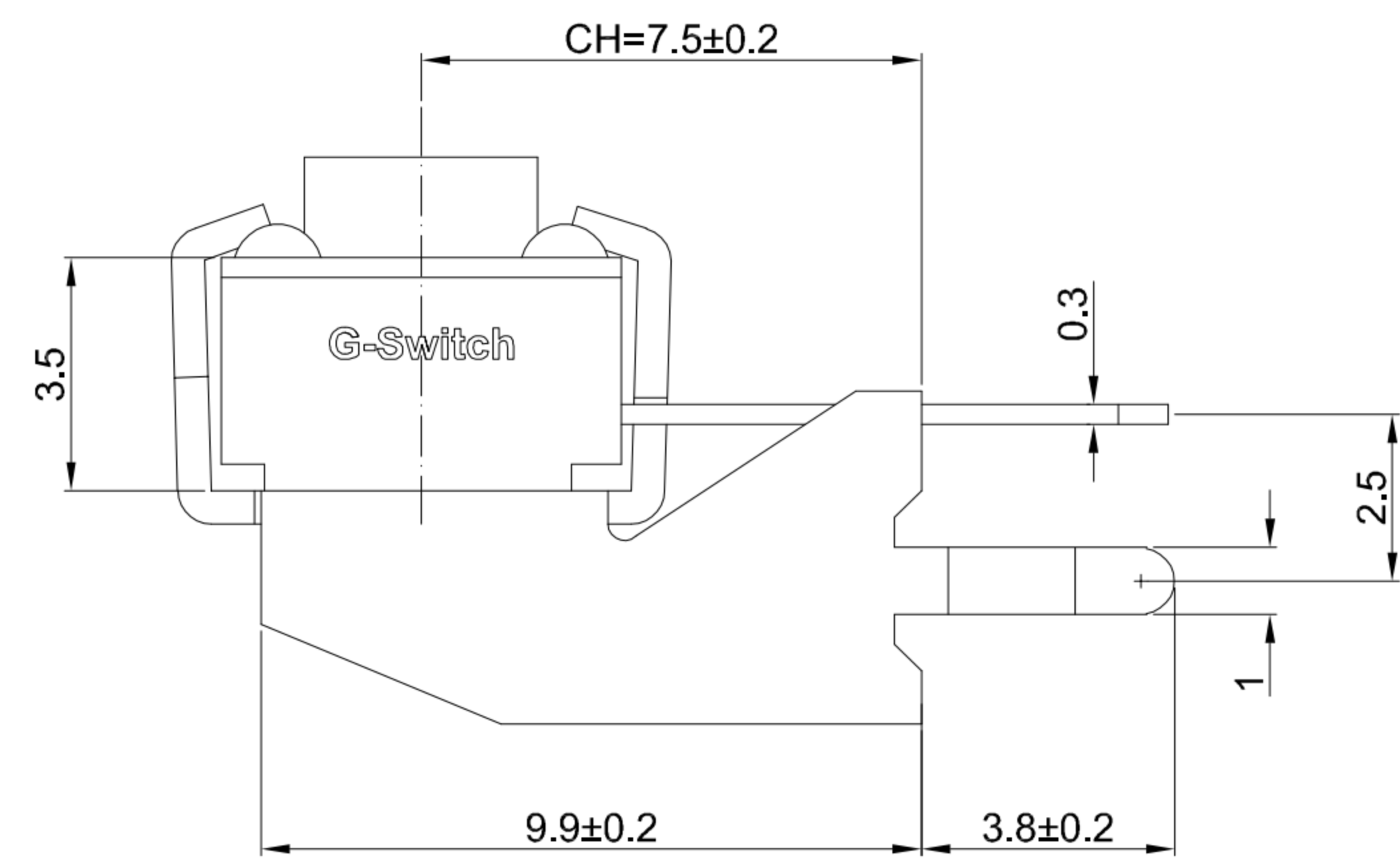
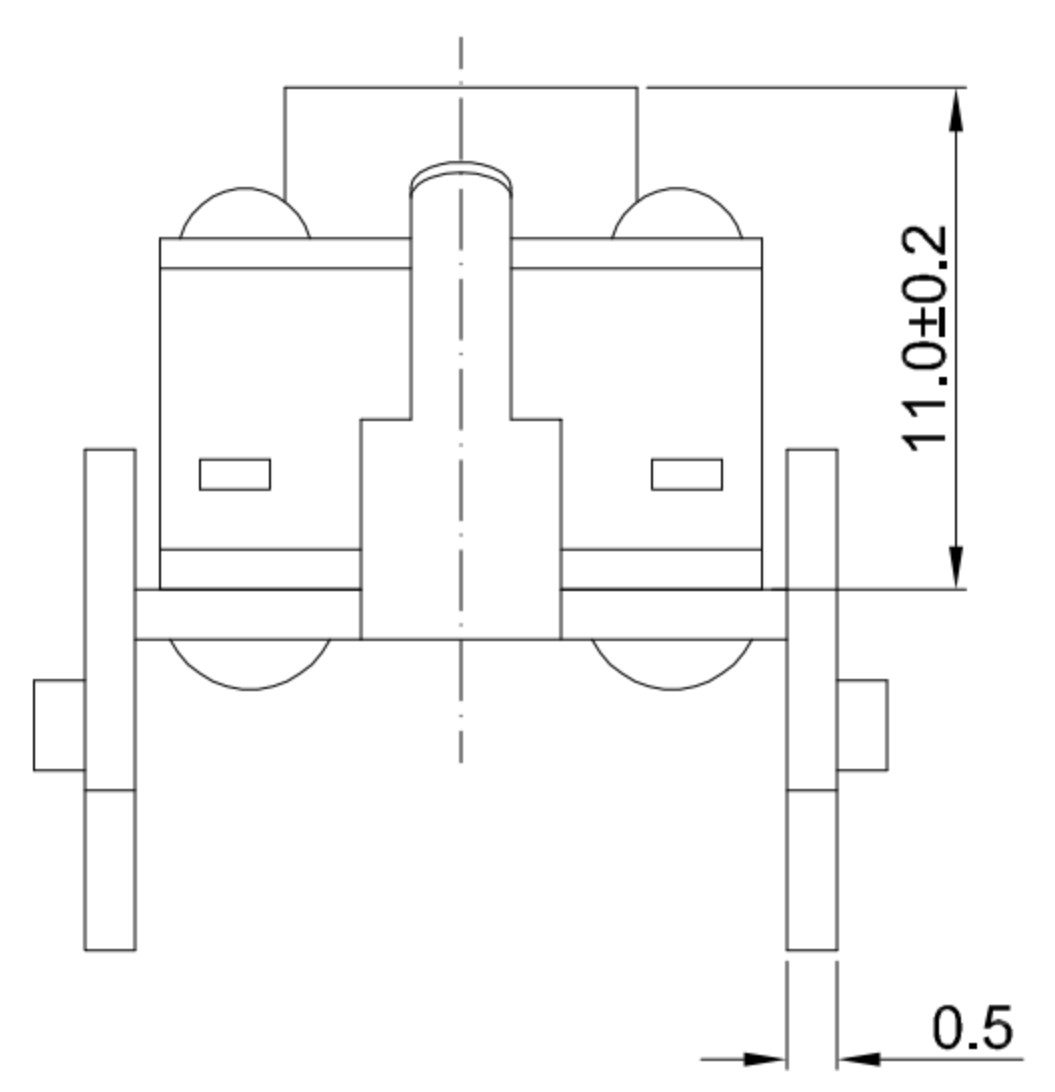
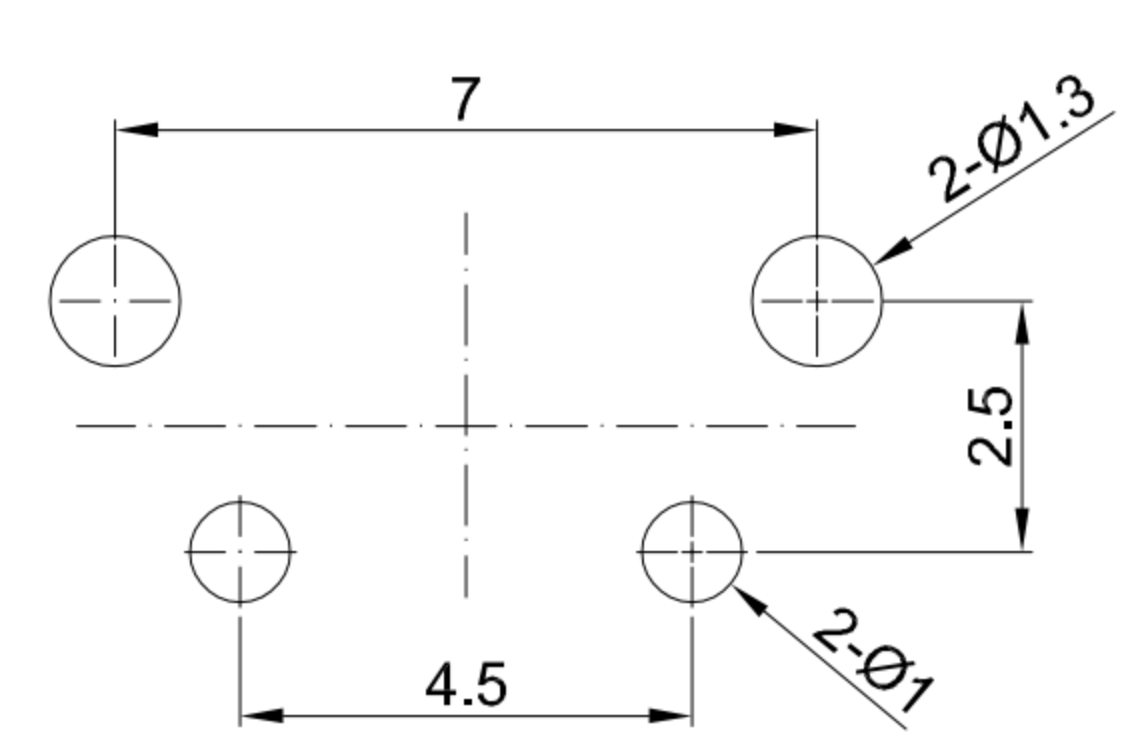
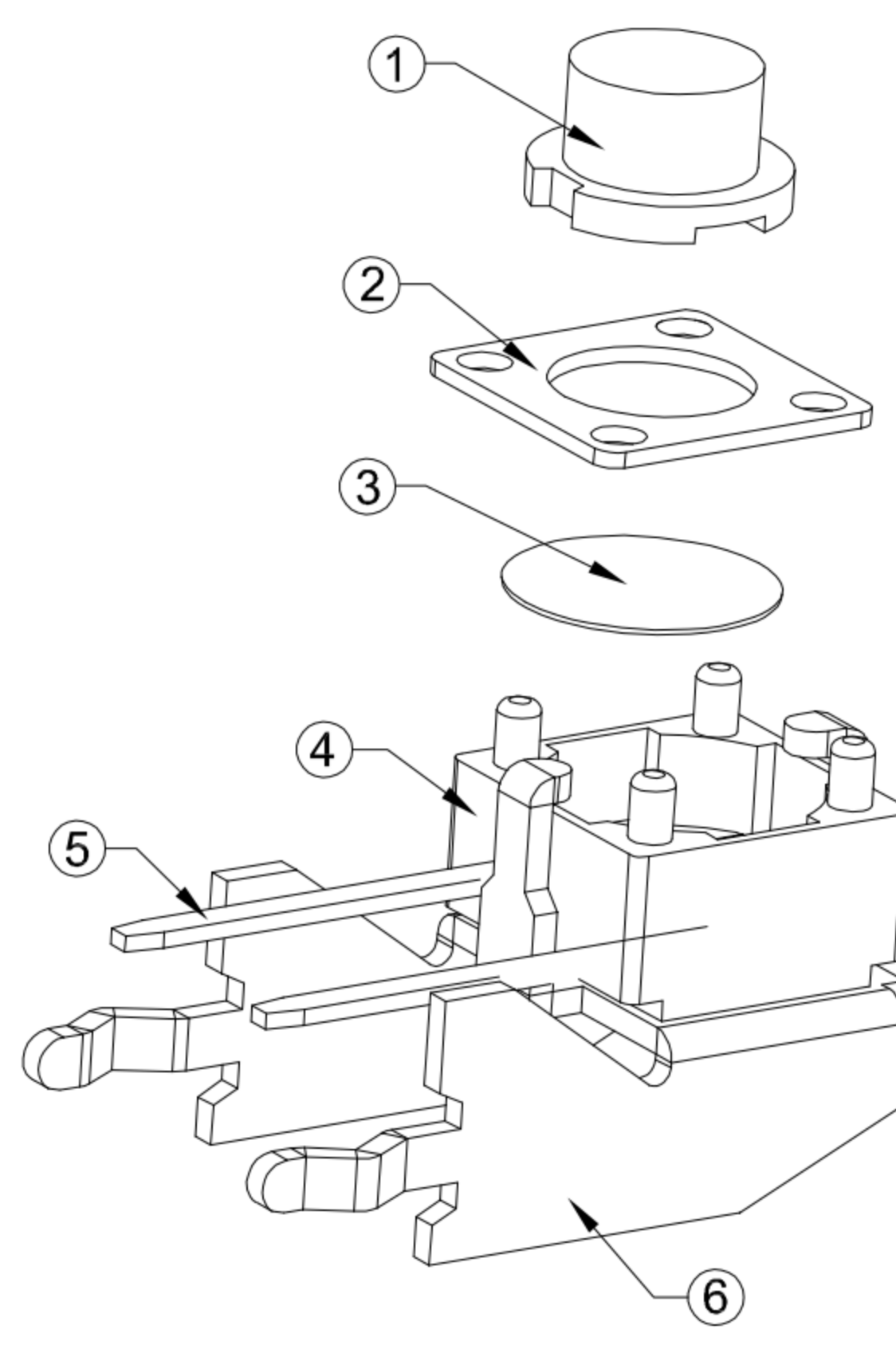
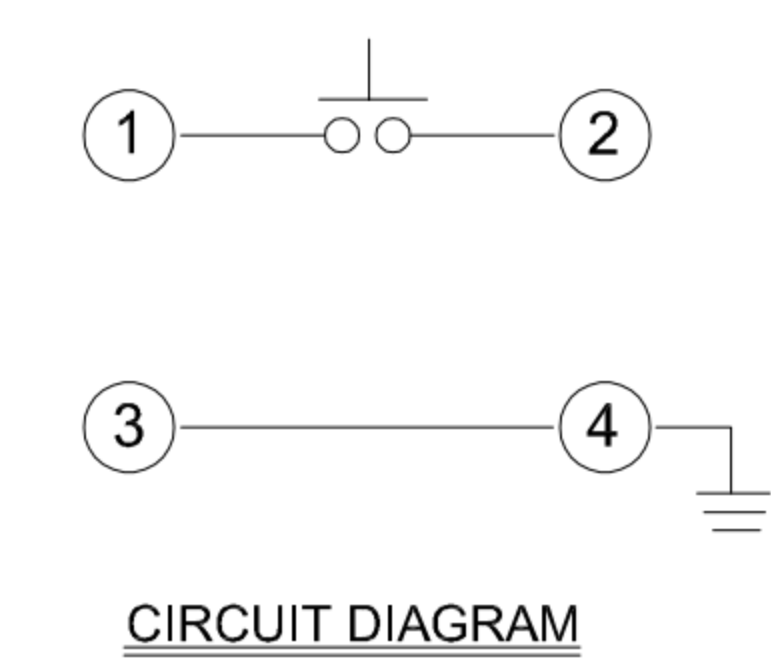
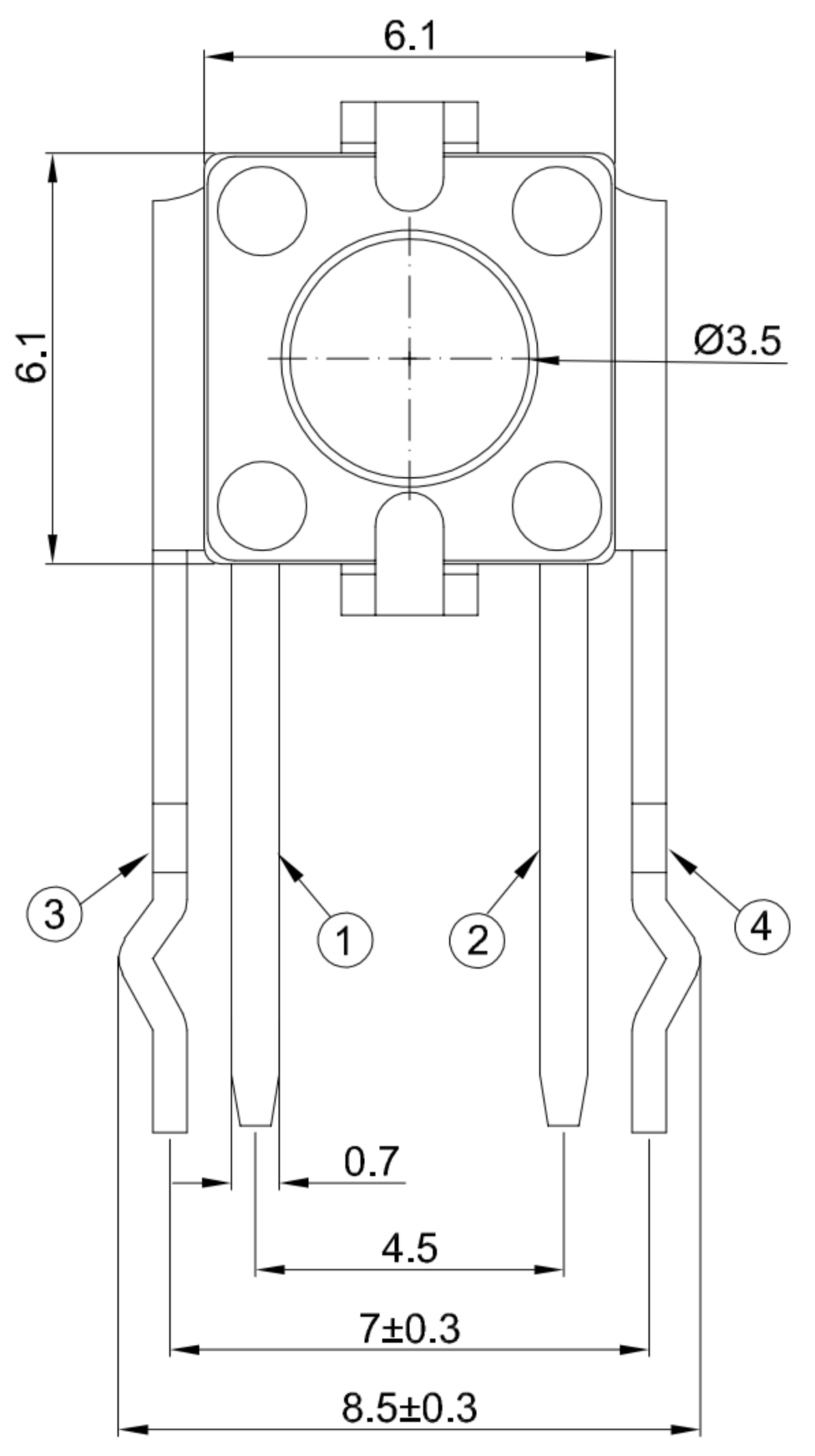


A B C D E



### GT-TC102B-H110-L1

|                 |                        |                                |
|-----------------|------------------------|--------------------------------|
| <b>G-Switch</b> | <b>Operating Force</b> | <b>Switch Lifetime (Force)</b> |
|                 | A=160gf                | L05=50,000 Cycles              |
|                 | B=250gf                | L1=100,000 Cycles              |
|                 | C=100gf                | L3=300,000 Cycles              |
|                 | D=360gf                | L5=500,000 Cycles              |



**Switch Height**

|             |             |
|-------------|-------------|
| H043=4.3mm  | H050=5.0mm  |
| H055=5.5mm  | H060=6.0mm  |
| H065=6.5mm  | H070=7.0mm  |
| H075=7.5mm  | H080=8.0mm  |
| H085=8.5mm  | H090=9.0mm  |
| H095=9.5mm  | H100=10.0mm |
| H105=10.5mm | H110=11.0mm |
| H115=11.5mm | H120=12.0mm |
| H125=12.5mm | H130=13.0mm |
| H135=13.5mm | H140=14.0mm |
| H145=14.5mm | H150=15.0mm |
| H155=15.5mm | H160=16.0mm |
| H165=16.5mm | H170=17.0mm |
| H175=17.5mm | H180=18.0mm |
| H185=18.5mm | H190=19.0mm |

- G-Switch Specification:**
1. Operating temperature range: -40°C ~ +85°C
  2. Rating: 50mA, 12V DC
  3. Insulation resistance: 100MΩ min, 100V DC
  4. Dielectric strength: 250V AC for 1 min
  5. Contact resistance: 100mΩ max.
  6. Travel: 0.25±0.1mm

|     |           |                 |            |
|-----|-----------|-----------------|------------|
| 5   | SUPPORT   | STAINLESS STEEL | Cu/Sn      |
| 5   | TERMINAL  | BRASS           | Ag PLATING |
| 4   | BASE      | PPA             | BLACK      |
| 3   | CONTACT   | STAINLESS STEEL | Ag PLATING |
| 2   | COVER     | STAINLESS STEEL | Cu/Sn      |
| 1   | STEM      | PPA             | BLACK      |
| NO. | PART NAME | MATERIAL        | REMARK     |



|                                     |          |  |         |          |            |
|-------------------------------------|----------|--|---------|----------|------------|
| SCALE: 1:1                          | UNIT: mm | Title: Horizontal Tact Switch Support<br>DIP CH=7.5mm 6.1×6.1×11.0mm |         |          |            |
| SIZE: A4                            |          | Molde Code: GT-TC102B-H110-L1  |         |          |            |
| Unless otherwise General Tolerance: |          | DRAWN  | CHECKED | APPROVED | DATE       |
| X.                                  | ±0.20    | Xia  | Chen    | Chen     | 2023.02.01 |
| X.x                                 | ±0.15    |  |         |          |            |
| X.xx                                | ±0.05    |  |         |          |            |
| X°                                  | ±2°      |  |         |          |            |



REV: A0 SHEET: 1/1

1  
2  
3  
4  
5

1  
2  
3  
4  
5

A B C D E