

## GT-TC101B-H115-L1

**G-Switch**

**Operating Force**

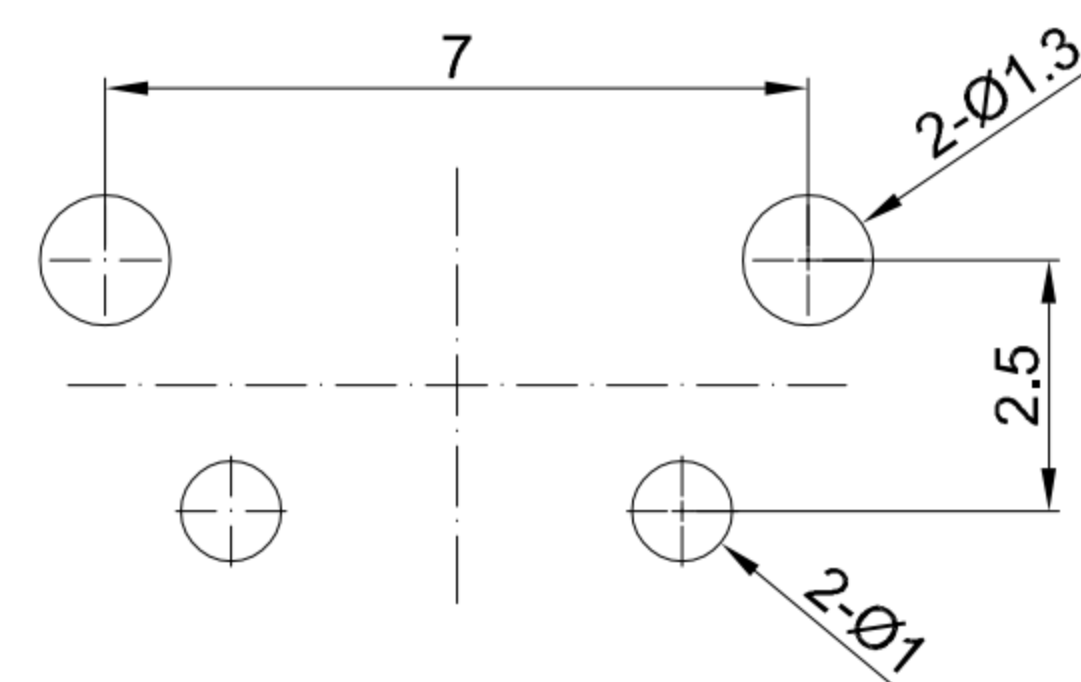
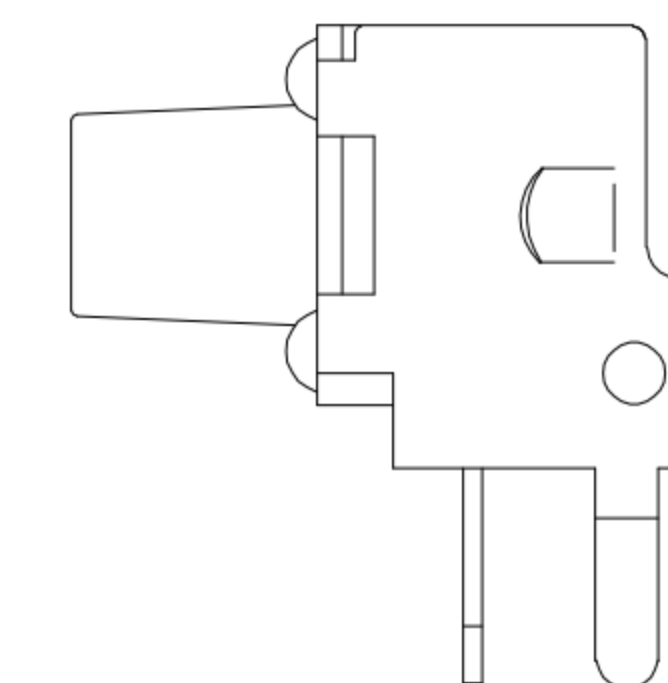
A=160gf  
B=250gf  
C=100gf  
D=360gf

**Switch Lifetime (Force)**

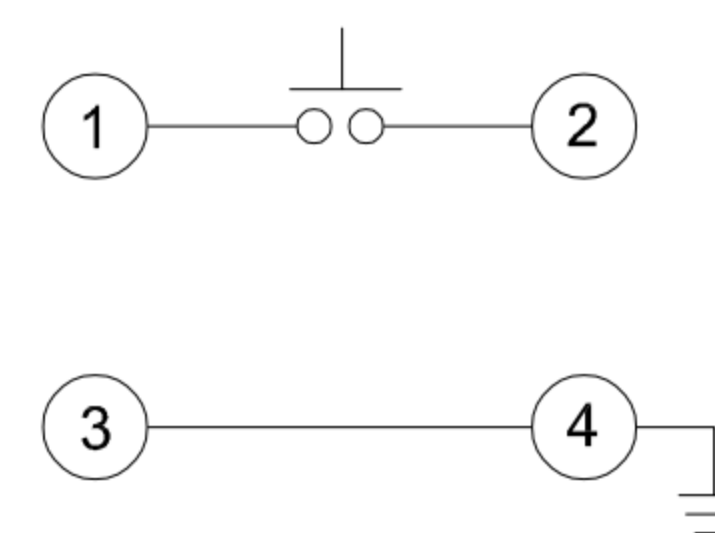
L05=50,000 Cycles  
L1=100,000 Cycles  
L3=300,000 Cycles  
L5=500,000 Cycles

**Switch Height**

H043=4.3mm	H050=5.0mm
H055=5.5mm	H060=6.0mm
H065=6.5mm	H070=7.0mm
H075=7.5mm	H080=8.0mm
H085=8.5mm	H090=9.0mm
H095=9.5mm	H100=10.0mm
H105=10.5mm	H110=11.0mm
H115=11.5mm	H120=12.0mm
H125=12.5mm	H130=13.0mm
H135=13.5mm	H140=14.0mm
H145=14.5mm	H150=15.0mm
H155=15.5mm	H160=16.0mm
H165=16.5mm	H170=17.0mm
H175=17.5mm	H180=18.0mm
H185=18.5mm	H190=19.0mm



RECOMMENDED PCB LAYOUT  
TOLERANCE: ±0.05



CIRCUIT DIAGRAM

**G-Switch Specification:**

1. Operating temperature range: -40°C ~ +85°C
2. Rating: 50mA, 12V DC
3. Insulation resistance: 100MΩ min, 100V DC
4. Dielectric strength: 250V AC for 1 min
5. Contact resistance: 100mΩ max.
6. Travel: 0.25±0.1mm

NO.	PART NAME	MATERIAL	REMARK
5	TERMINAL	BRASS	Ag PLATING
4	BASE	PPA	BLACK
3	CONTACT	STAINLESS STEEL	Ag PLATING
2	COVER	STAINLESS STEEL	Cu/Sn
1	STEM	PPA	BLACK



SCALE: 1:1 UNIT: mm  
SIZE: A4

Title: Horizontal Tact Switch Support  
DIP CH=4.0mm 7.5×6.0×11.5mm

Unless otherwise  
General Tolerance:

X.	±0.20
X.x	±0.15
X.xx	±0.05
X°	±2°

Molde Code: GT-TC101B-H115-L1

DRAWN	CHECKED	APPROVED	DATE
-------	---------	----------	------

Xia	Chen	Chen	2023.02.01
-----	------	------	------------



REV: A0 SHEET: 1/1