

GT-TC101A-H060-L1

G-Switch

Operating Force

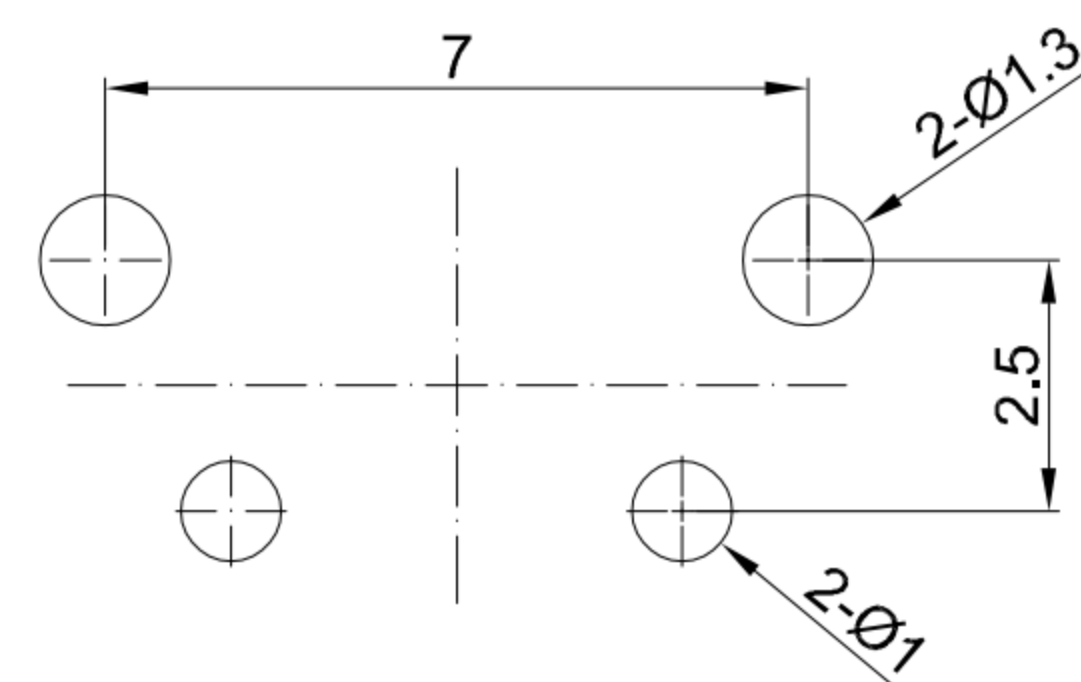
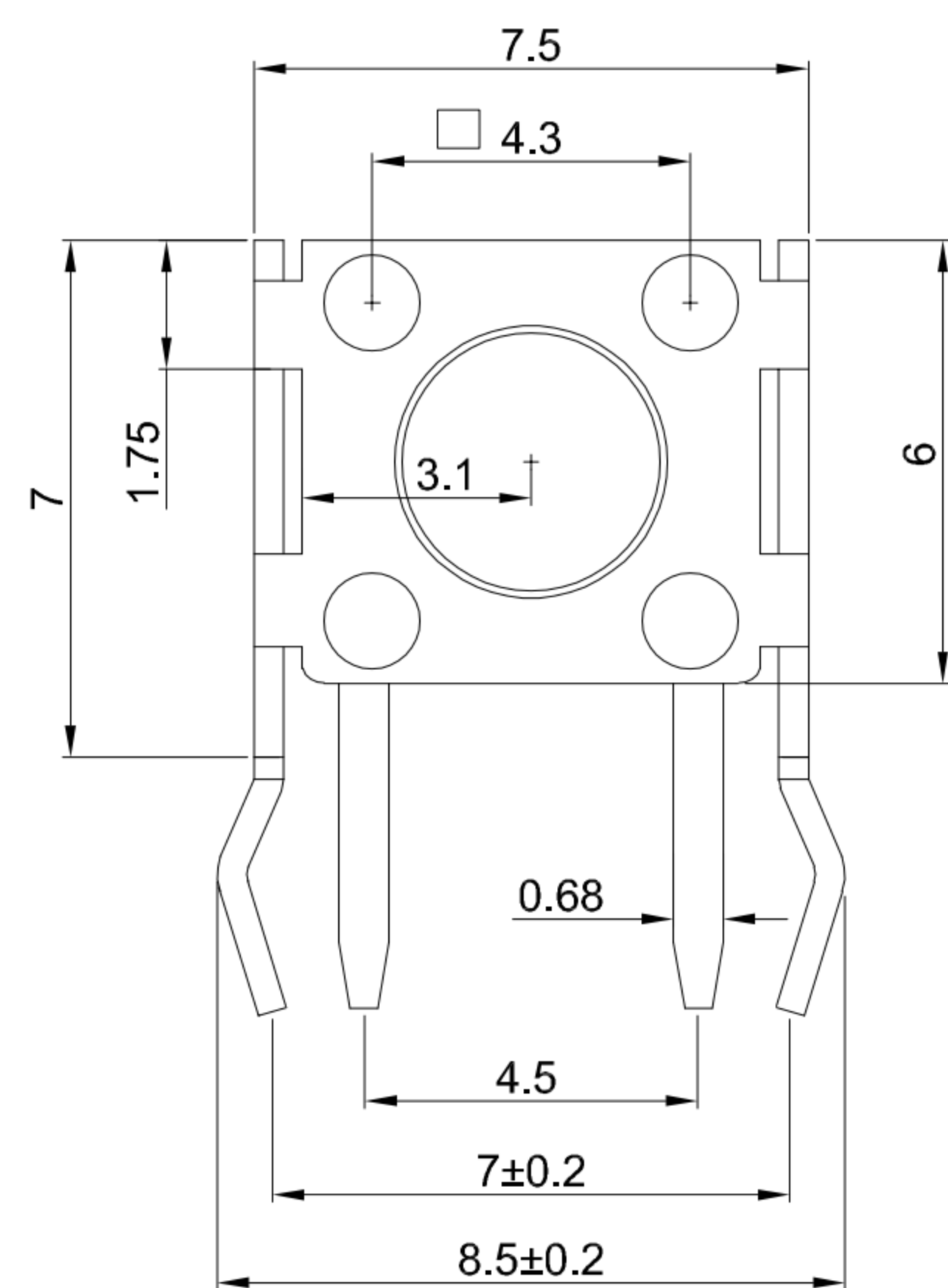
A=160gf
B=250gf
C=100gf
D=360gf

Switch Lifetime (Force)

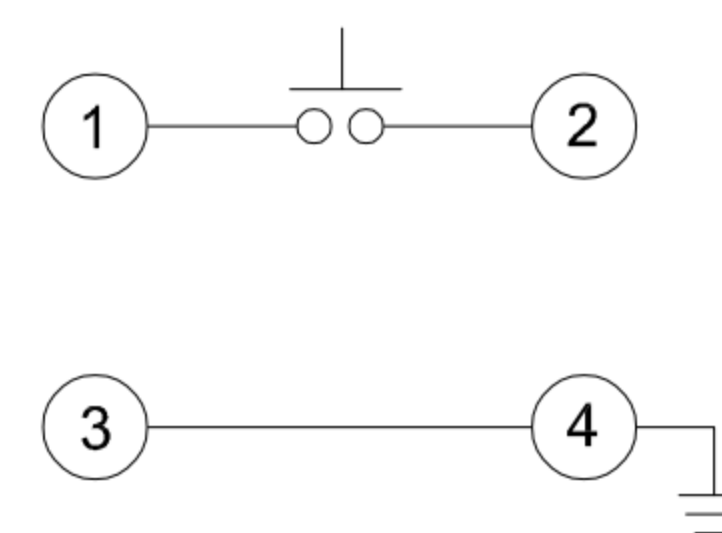
L05=50,000 Cycles
L1=100,000 Cycles
L3=300,000 Cycles
L5=500,000 Cycles

Switch Height

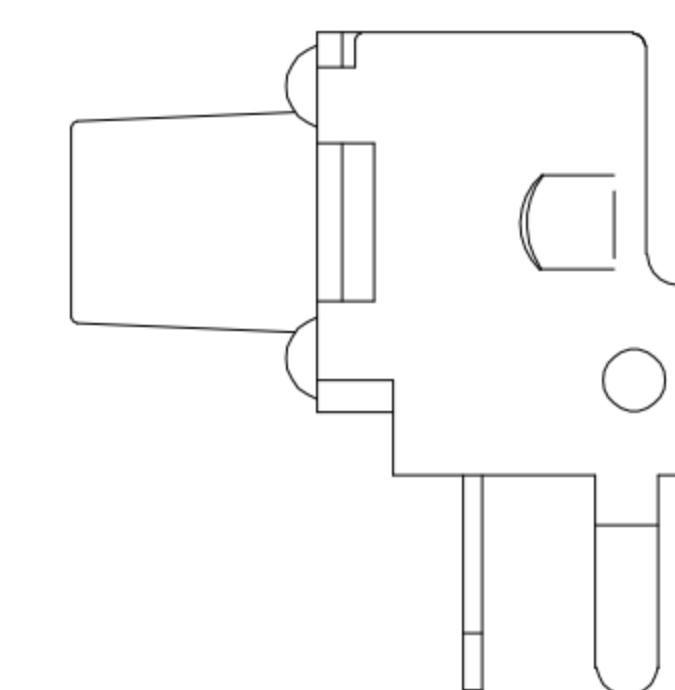
| | |
|-------------|-------------|
| H043=4.3mm | H050=5.0mm |
| H055=5.5mm | H060=6.0mm |
| H065=6.5mm | H070=7.0mm |
| H075=7.5mm | H080=8.0mm |
| H085=8.5mm | H090=9.0mm |
| H095=9.5mm | H100=10.0mm |
| H105=10.5mm | H110=11.0mm |
| H115=11.5mm | H120=12.0mm |
| H125=12.5mm | H130=13.0mm |
| H135=13.5mm | H140=14.0mm |
| H145=14.5mm | H150=15.0mm |
| H155=15.5mm | H160=16.0mm |
| H165=16.5mm | H170=17.0mm |
| H175=17.5mm | H180=18.0mm |
| H185=18.5mm | H190=19.0mm |



RECOMMENDED PCB LAYOUT
TOLERANCE: ±0.05



CIRCUIT DIAGRAM



G-Switch Specification:

1. Operating temperature range: -40°C ~ +85°C
2. Rating: 50mA, 12V DC
3. Insulation resistance: 100MΩ min, 100V DC
4. Dielectric strength: 250V AC for 1 min
5. Contact resistance: 100mΩ max.
6. Travel: 0.25±0.1mm

| | | | |
|-----|-----------|-----------------|------------|
| 5 | TERMINAL | BRASS | Ag PLATING |
| 4 | BASE | PPA | BLACK |
| 3 | CONTACT | STAINLESS STEEL | Ag PLATING |
| 2 | COVER | STAINLESS STEEL | Cu/Sn |
| 1 | STEM | PPA | BLACK |
| NO. | PART NAME | MATERIAL | REMARK |



SCALE: 1:1 UNIT: mm
SIZE: A4

Title: Horizontal Tact Switch Support
DIP CH=4.0mm 7.5×6.0×6.0mm

Unless otherwise
General Tolerance:

| | |
|------|-------|
| X. | ±0.20 |
| X.x | ±0.15 |
| X.xx | ±0.05 |
| X° | ±2° |

Molde Code: GT-TC101A-H060-L1

| | | | |
|-------|---------|----------|------------|
| DRAWN | CHECKED | APPROVED | DATE |
| Xia | Chen | Chen | 2023.02.01 |



REV: A0 SHEET: 1/1