

版本	变更内容	工程确认	日期

A

B

C

D

E

F

A

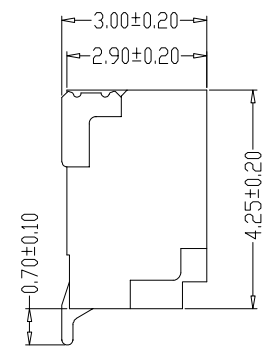
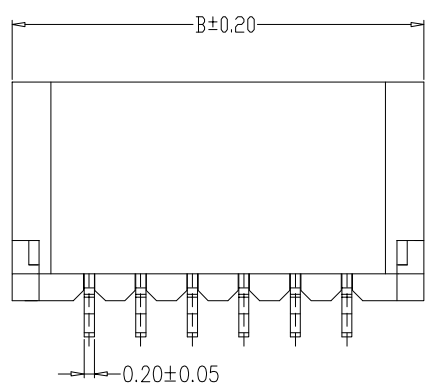
B

C

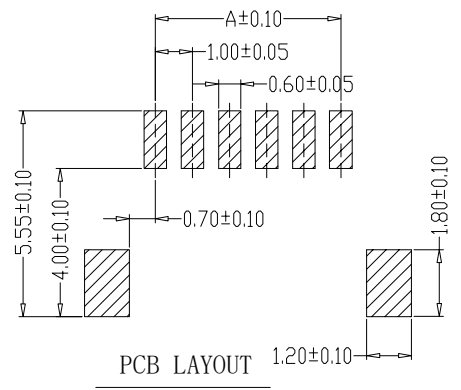
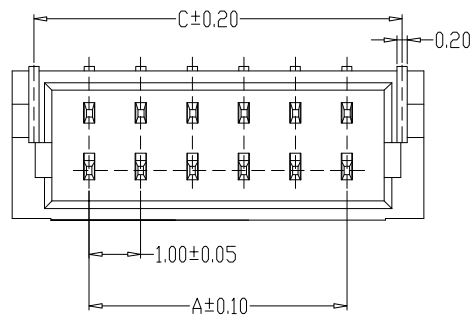
D

E

F



编号	尺寸 (mm)		
	A	B	C
YTC-A1001WF-02A	1.00	4.00	3.20
YTC-A100WF-03A	2.00	5.00	4.20
YTC-A1001WF-04A	3.00	6.00	5.20
YTC-A100WF-05A	4.00	7.00	6.20
YTC-A1001WF-06A	5.00	8.00	7.20
YTC-A1001WF-07A	6.00	9.00	8.20
YTC-A1001WF-08A	7.00	10.00	9.20
YTC-A1001WF-09A	8.00	11.00	10.20
YTC-A1001WF-10A	9.00	12.00	11.20
YTC-A1001WF-11A	10.00	13.00	12.20
YTC-A1001WF-12A	11.00	14.00	13.20
YTC-A1001WF-20A	19.00	22.00	21.20



SPECIFICATIONS

- Current Rating: 1A AC, DC
- Voltage Rating: 50V AC, DC
- Temperature Range: -25°C~+85°C
- Contact Resistance: 20MΩ Max
- Insulation Resistance: 100MΩ Min
- Withstanding Voltang: 500V AC/minute
- Material: Wafer Nylon 6T、UL94V-0  
PIN Phosphoric bronze Tin-plated  
Solder tad Phosphoric bronze Tin-plated

深圳市怡远科技有限公司 SHENZHEN YIYUAN TECHNOLOGY CO., LTD		页码 (SHEET)	1/1	单位 (UNIT): MM
		版本 (REV)	A1	比例 (SCALE)
品名 (ITEM NO)	1.00间距卧贴 WAFER DIP TYPE	日期 (DATE)	2021. 10. 12	
料号 (PART NO)	YTC-A1001WF-**A	设计 (DESIGN)	LUO	
图号 (DWG NO)		审核 (CHECKED)	ROGER LI	GENERAL TOLERANCE X:±0.25 X':±2" .XX±0.20 .X'±1" .XX±0.15 .XX'±0.5" .XXX±0.10 .XXX'±0.5"
		核准 (APPROVED)	ROC ZHAO	

These drawings and specifications are Shenzhen Yiyuan Technology Co Ltd. The property should not be copied. Without Shenzhen Yiyuan Technology Co. Ltd. Prior written consent to copy or use in any way. Email at info@yiyuanswitches.com