

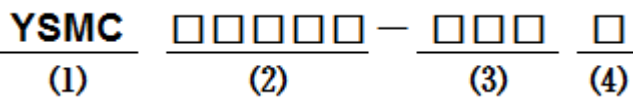
■ Features

- Molding Inductor.
- Low Profile,Low Temp.
- Large Current(Over 15A).
- Customize For Different Need.
- Operating temperature:-40°C ~ +125°C.

■ Applications

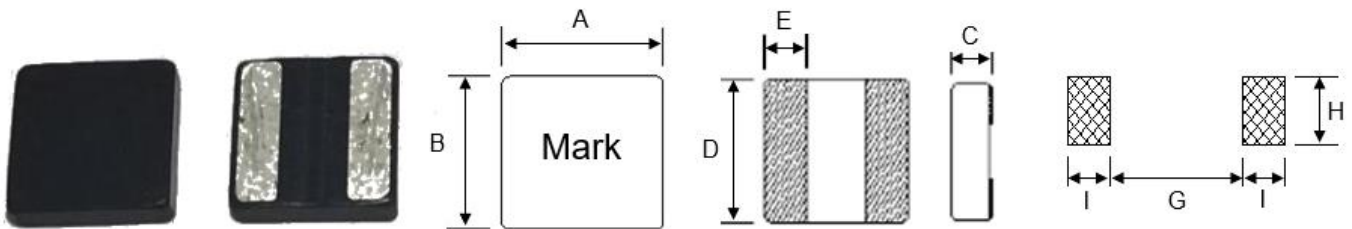
- General Electronic.
- Video Device,TV,TFT.
- Power Module for PC.
- NB/Lap Top Computer.
- Server,VGA Card/Module.

■ Product Identification



- (1) : Type
- (2) : Dimensions
- (3) : Inductance value
- (4) : Inductance Tolerance : N=±30%,M=±20%

■ Shapes and Dimensions (Unit: mm)



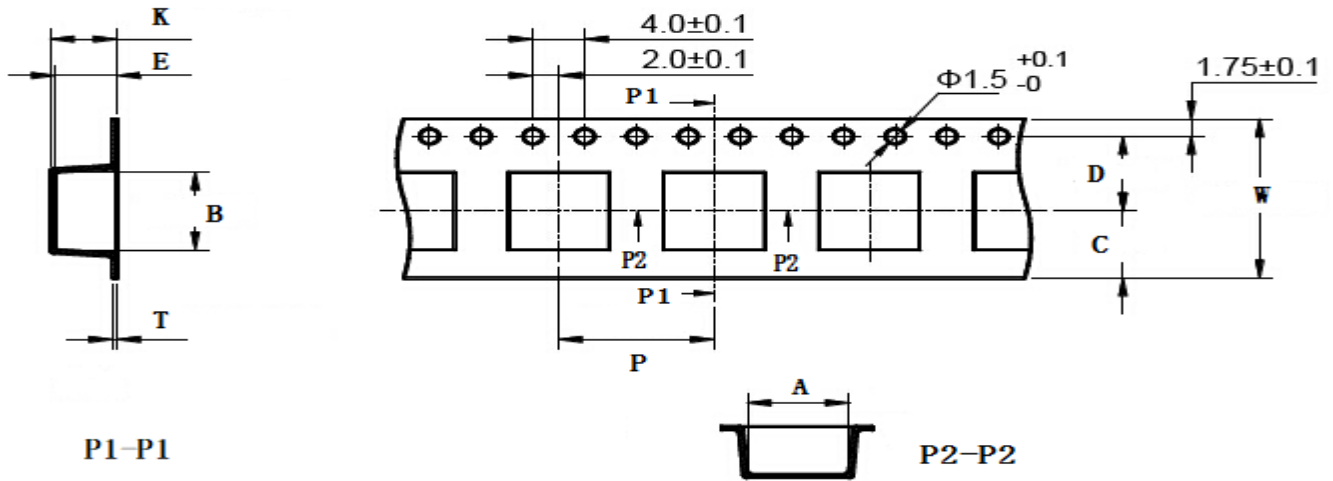
TYPE	A	B	C Max.	D	E	G Ref.	H Ref.	I Ref.
YSMC0420V	4.0±0.3	4.0±0.3	2.0	4.0±0.3	1.2+0.3/-0.2	1.5	4.3	1.5

■ YSMC0420V Series

Part Number	Inductance (uH) @100KHz	DC Resistance (mΩ)		Heat Rating Current (A)	Saturation Current (A)
		Typ.	Max.		
YSMC0420V-1R0M	1.0±20%	7.7	8.9	14.0	11.0
YSMC0420V-1R5M	1.5±20%	16.0	20.0	6.0	10.0
YSMC0420V-2R2M	2.2±20%	27.0	34.0	5.0	8.0
YSMC0420V-3R3M	3.3±20%	36.0	43.0	4.5	6.0
YSMC0420V-4R7M	4.7±20%	52.0	63.0	4.0	5.5
YSMC0420V-100M	10±20%	110.0	125.0	2.6	4.0
YSMC0420V-220M	22±20%	258.0	280.0	1.7	2.8

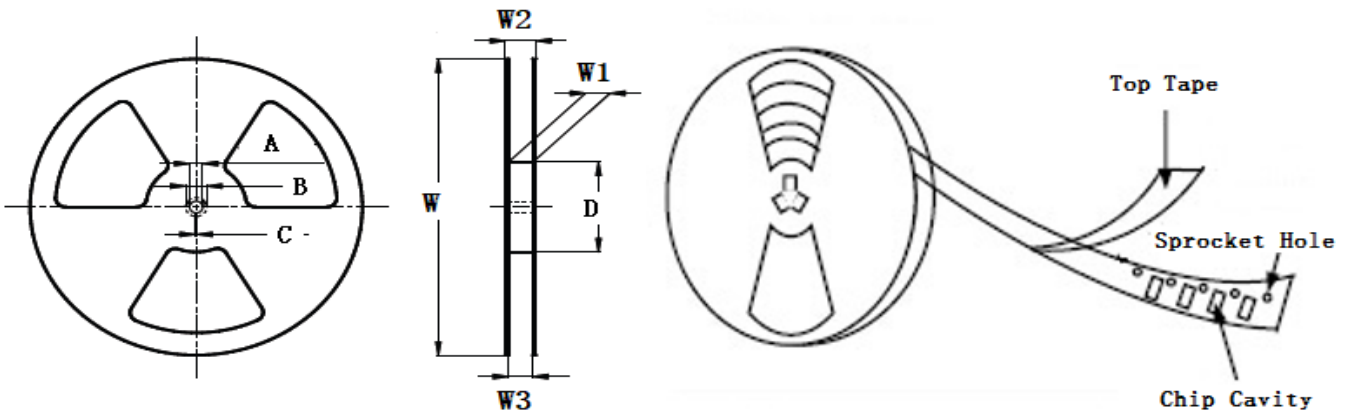
- ※ The saturation current value is the DC current value having inductance decrease down to 30%.(at 20°C)
- ※ The temperature rise current value is the DC current value having temperature increase up to 40°C. (at 20°C)
- ※ The rated current is the DC current value that satisfies both of current value saturation current value and temperature rise current value.

■ Taping Dimensions(Unit:mm)



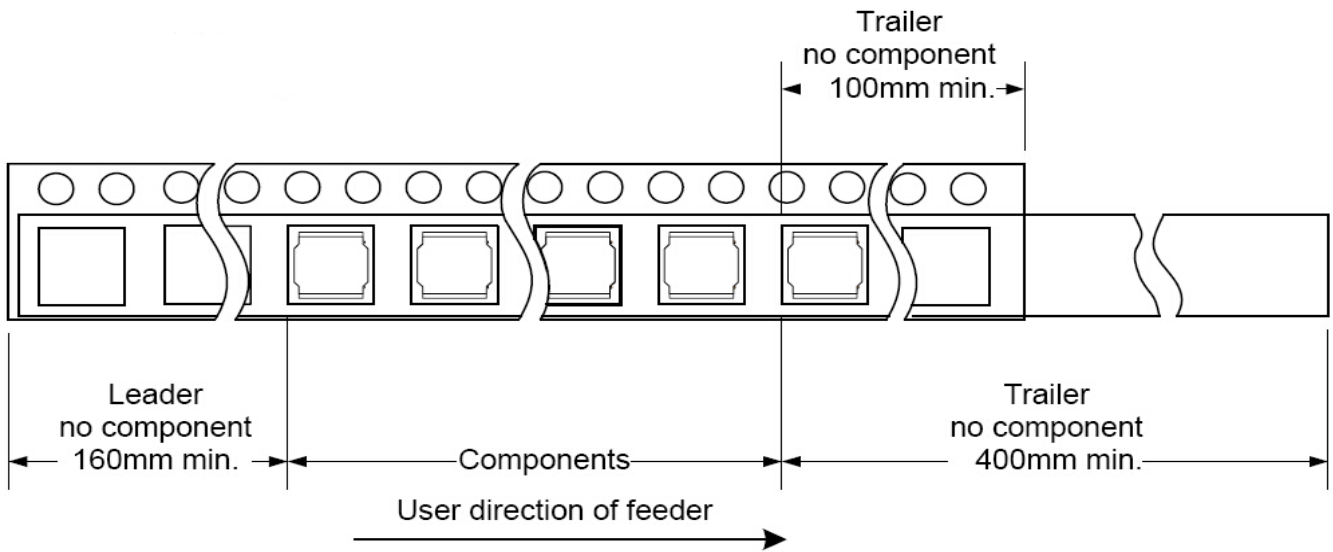
TYPE	W	A	B	C	D	E	P	K Ref	T	MPQ
YSMC0420V	12±0.3	4.3±0.1	5.10±0.1	4.75	5.5±0.1	2.1±0.1	8±0.1	2.2	0.30±0.05	3000

■ Reel Dimensions(Unit:mm)

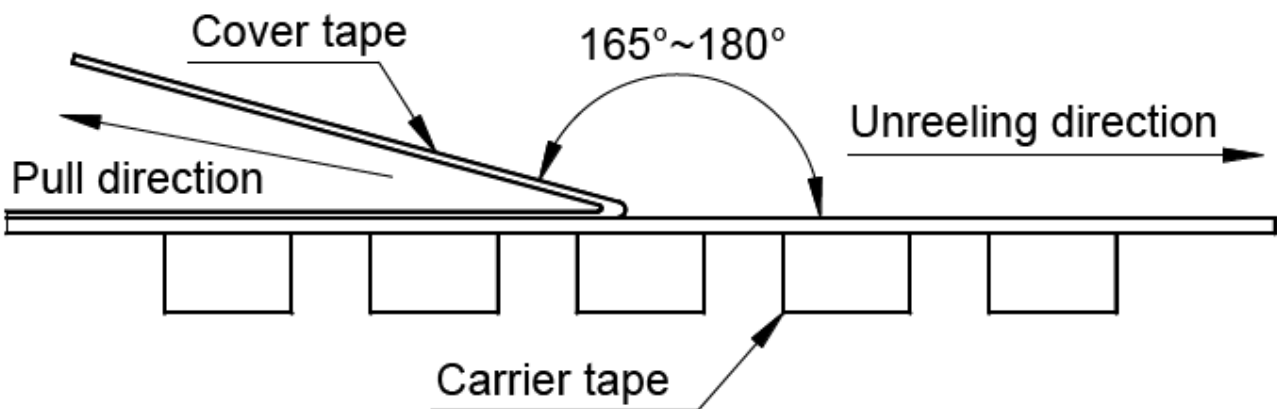


TYPE	W	W1	W2	W3	A	B	C	D
YSMC0420V	330±2.0	12.4±1.50	18.4MAX	11.9Min	13.0±0.50	21.0±0.80	2.0±0.50	100 Min

Direction of rolling



Cover tape peel off condition



Cover tape peel force shall be 0.1N to 1.3N.

Reference peel speed 300±10mm/min.