



# 深圳市怡远科技有限公司

SHENZHEN YIYUAN TECHNOLOGY CO., LTD

产品名称Product: FFC排线 A面 (同面)

产品型号Part No: YTC05A-NP-L-4-8

广东省深圳市南山区粤海街道高新区社区高新南一道016号联想大厦东3F  
3F East, #16, Gaoxin South 1 Street, Hi-Tech Park, Nanshan District, Shenzhen City

电话/Tel: 86-0755-82784562 [Http://www.yiyuanswitches.com](http://www.yiyuanswitches.com)

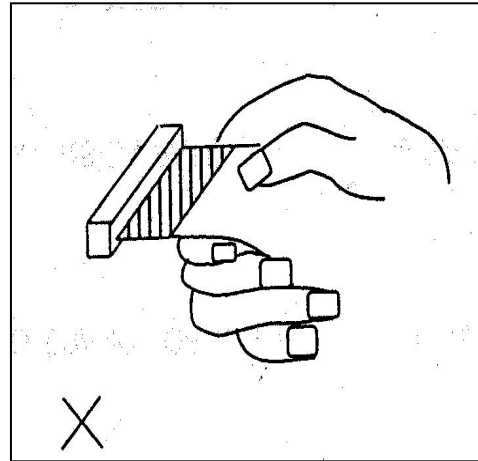
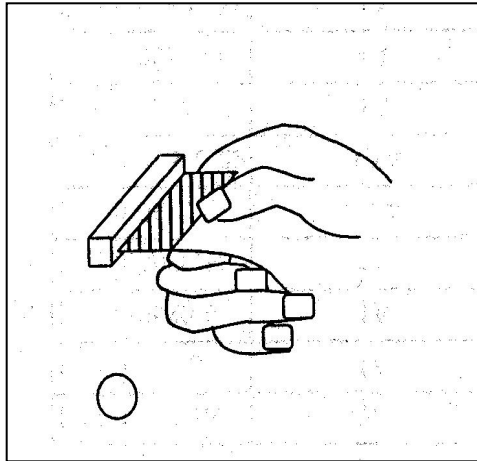


# MATERIAL SPECIFICATION

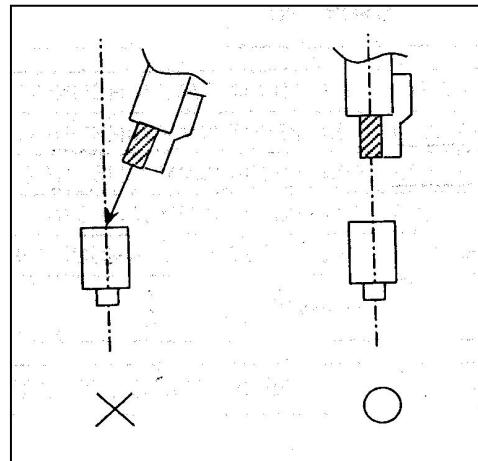
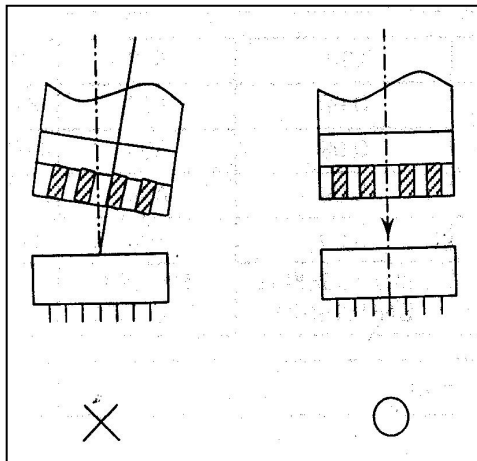
| PRODUCT                                       |  | FLEXIBLE FLAT CABLE                           |                                     |                                  |                                |   |
|---|--|---|-------------------------------------|----------------------------------|--------------------------------|---|
| UL STYLE NO.                                  | VOLTAGE RATING   | OPERATING TEMPERATURE                         | UL FILE NO.                         | MARKING                          |                                |   |
| <input type="checkbox"/> AWM 2896             | 30V  | 80°C  |                                     | AWM 2896 80°C VW-1               |                                |   |
| <input checked="" type="checkbox"/> AWM 20624 | 60V  | 80°C  |                                     | AWM 20624 80°C VW-1              |                                |   |
| <input type="checkbox"/> AWM 20706            | 60V  | 105°C   |                                     | AWM 20706 105°C VW-1             |                                |   |
| CONDUCTOR                                     | SIZE (Ct×Cw)   | RATED CURRENT                                 | RESISTANCE                          | REMARKS                          |                                |   |
|   | <input type="checkbox"/> 0.1X1.27  | 2A  | 0.17Ω/M                             | * TIN PLATED COPPER WIRE         |                                |   |
|   | <input type="checkbox"/> 0.1X0.8   | 2A  | 0.27Ω/M                             | :99.994% PURE COPPER             |                                |   |
|   | <input type="checkbox"/> 0.1X0.7   | 2A  | 0.33Ω/M                             | * TOLERANCE OF THICKNESS         |                                |   |
|   | <input type="checkbox"/> 0.1X0.65  | 2A  | 0.35Ω/M                             | :±0.005                          |                                |   |
|   | <input type="checkbox"/> 0.1X0.5   | 1A  | 0.42Ω/M                             | * TOLERANCE OF WIDTH             |                                |   |
|   | <input type="checkbox"/> 0.1X0.3   | 1A  | 0.70Ω/M                             | :±0.03                           |                                |   |
|   | <input type="checkbox"/> 0.05X0.8  | 1A  | 0.53Ω/M                             | * EXTENSION RATE                 |                                |   |
|   | <input type="checkbox"/> 0.05X0.65   | 1A  | 0.63Ω/M                             | :OVER THAN 15%                   |                                |   |
|   | <input type="checkbox"/> 0.05X0.6  | 1A  | 0.65Ω/M                             | * STRAIN STRENGTH                |                                |   |
|   | <input type="checkbox"/> 0.035X0.8   | 1A  | 0.83Ω/M                             | :OVER THAN 13Kgf/mm <sup>2</sup> |                                |   |
|   | <input type="checkbox"/> 0.035X0.7   | 1A  | 0.60Ω/M                             | * PLATING THICKNESS              |                                |   |
|   | <input type="checkbox"/> 0.035X0.6   | 1A  | 0.96Ω/M                             | :0.075 μ 以上                      |                                |   |
|   | <input type="checkbox"/> 0.035X0.3   | 0.5A  | 1.80Ω/M                             |                                  |                                |   |
|   | <input checked="" type="checkbox"/> 0.035X0.3  | 0.5   | 1.89Ω/M                             |                                  |                                |   |
| <input type="checkbox"/> 0.022X0.3            | 0.5A   | 3.18Ω/M                                       |                                     |                                  |                                |   |
| <input type="checkbox"/> 0.1X0.5(P)           | 0.5A   | 2.80Ω/M                                       | * TIN PLATED PHOSPHORUS BRONZE WIRE |                                  |                                |   |
| LEAD FREE <input checked="" type="checkbox"/> |  |   | G <input type="checkbox"/> D        |                                  |                                |   |
| INSULATION FILM                               | NO.  | BASE FILM                                     | ADHESIVE                            | TOTAL THICKNESS                  | REMARK                         | COLOR   |
|   | <input type="checkbox"/> 1   | PET 25μm                                      | 35μm                                | 60μm                             | REGULAR                        | <input type="checkbox"/> WHITE <input type="checkbox"/> BLA |
|   | <input checked="" type="checkbox"/> 2  | PET 19μm                                      | 24μm                                | 43μm                             | SUPER FLEX                     | <input checked="" type="checkbox"/> WHITE                   |
|   | <input type="checkbox"/> 3   | PET 12μm                                      | 25μm                                | 37μm                             | ULTRA FLEX                     | <input type="checkbox"/> WHITE                              |
| DECA FREE <input type="checkbox"/>            |  |   |                                     |                                  |                                |   |
| SUPPORTING TAPE                               | NO.  | BASE FILM                                     | ADHESIVE                            | TOTAL THICKNESS                  | COLOR                          |   |
|   | <input type="checkbox"/> 1   | PET 125μm                                     | 35μm                                | 160μm                            | <input type="checkbox"/> WHITE | <input type="checkbox"/> BLUE                               |
|   | <input checked="" type="checkbox"/> 2  | PET 190μm                                     | 35μm                                | 225μm                            | <input type="checkbox"/> WHITE | <input checked="" type="checkbox"/> BLUE                    |
|   | <input type="checkbox"/> 3   | PET 215μm                                     | 35μm                                | 250μm                            | <input type="checkbox"/> WHITE | <input type="checkbox"/> BLUE                               |
|   | <input type="checkbox"/> 4   | PET 250μm                                     | 35μm                                | 285μm                            | <input type="checkbox"/> WHITE | <input type="checkbox"/> BLUE                               |
| EMI SHIELD                                    | ALUMINIUM FOIL [    μm]    COPPER FOIL [    μm]    FABRIC TAPE [    μm]    LAMINATION [    ] |   |                                     |                                  |                                |   |
| DOUBLE SIDE TAPE                              |  |   |                                     |                                  |                                |   |
| DIELECTRIC VOLTAGE WITHSTAND TEST             |  |   | AC 500V/10mA 1分钟                    |                                  |                                |   |
| INSULATION RESISTANCE TEST                    |  |   | DC 500V/100Ω/M                      |                                  |                                |   |
| AGING   |  |   | 85°C/96 HR                          |                                  |                                |   |
| FLEXIBILITY                                   | GENERAL  | 10,000 Min (R5×240/Min×40mm/Reciprocating)    |                                     |                                  |                                |   |
|   | FLEX   | 100,000 Min (R5×240/Min×40mm/Reciprocating)   |                                     |                                  |                                |   |
|   | SUPER  | 3,000,000 Min (R5×240/Min×40mm/Reciprocating) |                                     |                                  |                                |   |
|   | ULTRA  | 6,000,000 Min (R5×240/Min×40mm/Reciprocating) |                                     |                                  |                                |   |
| FLAMMABILITY                                  |  | PASS UL VW-1                                  |                                     |                                  |                                |   |

## Matters that demand special attention :

- \* When insert to connector, please insert straight correctly with Joiner's supporting-tape.



- \* When insert to connector, please avoid excessive force.



- \* After insert to connector, shall be not bend at supporting-tape excessive because Joiner is broken

