

SIGN	DATE	DESCRIPTION	APPROVER
△	12/04'10	The DWG NO. is changed from 8T30007 to 8T30006	Tason
△	12/04'10	Add the "tuv" Safety Approval	Tason

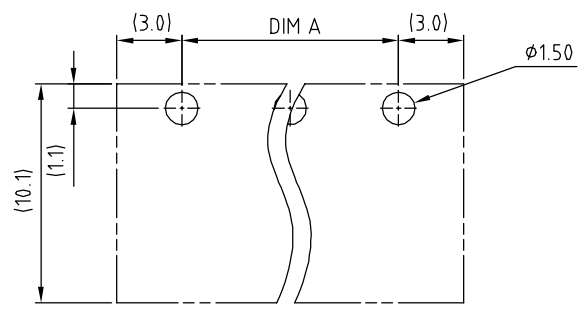
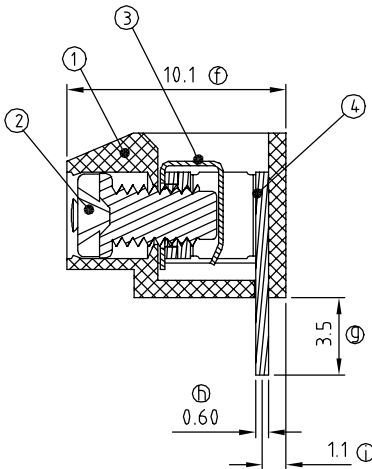
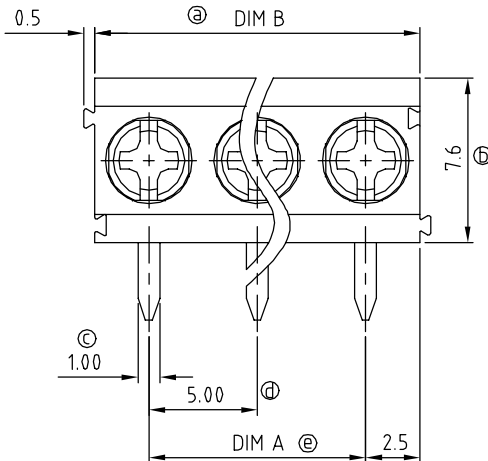
THIS IS CAD DRAWING, DO NOT REVISE MANUALLY!!!

Materials

Item 1 insulating body	Thermoplastic (UL94V-0)
Item 2 Steel screw	Screw, Zinc plating("+/-" slot type)
Item 3 Wire guard	Stainless steel
Item 4 Terminal body	Brass Tin plated

Electrical UL △ TUV

- Voltage rating: 300VAC/250VAC
- Current rating: 8A/12A
- Wire range:
- Solid wire(AWG): 14-26/0.2-2.5mm²
- Stranded wire(AWG): 14-26/0.2-2.5mm²
- Torque: 2.6Lb-In/0.4Nm
- Screw: M2.5
- Wire strip length: 5-6mm
- Withstanding Voltage: 1.6KV
- Operating temperature: -40°C to +115°C/ -40°C to +105°C
- Soldering temperature: 250°C±10°C/5 Sec
- Safety Approval: RU △ TUV



P.C.B. LAYOUT

N = Number of poles
 Dim A = (N-1) X 5.0
 Dim B = N x 5.0

	Dim A	Dim B
2P	±0.05	±0.05
3-6p	±0.15	±0.15
7-12p	±0.20	±0.20
13-18p	±0.30	±0.30
19-24p	±0.40	±0.40

T3 xx 04 x 3 xxxx G

<ul style="list-style-type: none"> 02 2 CONTACTS 03 3 CONTACTS 12 12 CONTACTS 	<p>Color</p> <ul style="list-style-type: none"> 0 Black (RAL9005) 5 Green(RAL6018/T) 6 Blue (RAL5015/A) 8 Grey(RAL7035/D) 	<ul style="list-style-type: none"> 0000 "⊕" Logo 000A "ANY" Logo Any special item by customer request, please contact sales department 	<p>RoHS Pb<40,000ppm</p>
--	---	---	---------------------------------

ANYTEK		CUSTOMER COPY									
ALL RIGHTS RESERVED. REPRODUCTION OR ISSUE TO THIRD PARTIES IN ANY FORM WHATSOEVER IS NOT PERMITTED WITHOUT WRITTEN AUTHORITY FROM THE PROPRIETOR. PROPERTY OF ANYTEK TECHNOLOGY CO., LTD											
TITLE: T3 5.0 Series 90°		DWG NO.: 8T30006 △									
PART NO.: T3xx04x3xxxxG		CUST NO.:									
APPROVED:	CHECKED:	DESIGNED: Tason 熊海燕 12/04'10	DRAWN: 熊海燕 11/08'06								
		<table border="0" style="font-size: x-small;"> <tr> <td>UNIT: mm</td> <td>X. ±0.50</td> </tr> <tr> <td>SCALE: NONE</td> <td>X.X ±0.30</td> </tr> <tr> <td></td> <td>X.XX ±0.10</td> </tr> <tr> <td></td> <td>X° ±1°</td> </tr> </table>		UNIT: mm	X. ±0.50	SCALE: NONE	X.X ±0.30		X.XX ±0.10		X° ±1°
UNIT: mm	X. ±0.50										
SCALE: NONE	X.X ±0.30										
	X.XX ±0.10										
	X° ±1°										
SHEET: 01/01		REV.: C									