

SIGN	DATE	DESCRIPTION	APPROVER
△	2/8'06	Part No.changed	Tony
△	10/7'06	Added cULus logo	Steady
△	02/01'07	Soldering temperature is changed from 245°C to 250°C	Marivn
△	07/06'07	Dimension is changed from 4.5 to 4.8	Marivn
△	03.08'10	Standard spec is changed.	JXO

THIS IS CAD DRAWING, DO NOT REVISE MANUALLY!!!


**Material**

- Item ① Terminal body(metal housing): Brass(CuZn),Tin plated
- Item ② Terminal screw: Steel Zinc plating "-" slot type
- Item ③ Wire guard: Stainless steel
- Item ④ Insulator (housing): Thermoplastic (UL94V-0)

△ Electrical cULus

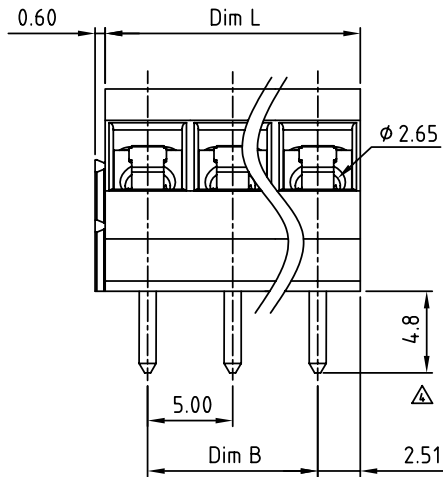
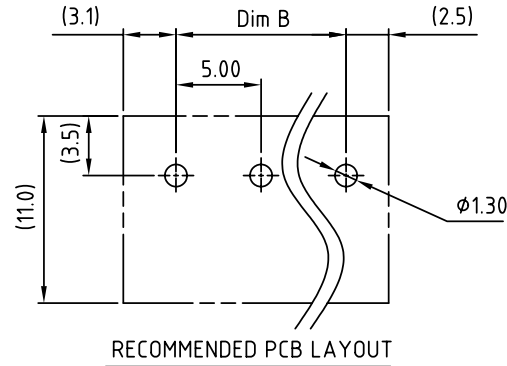
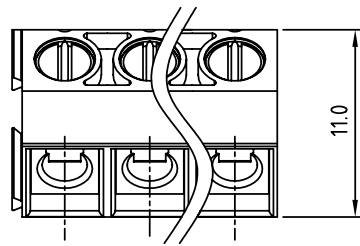
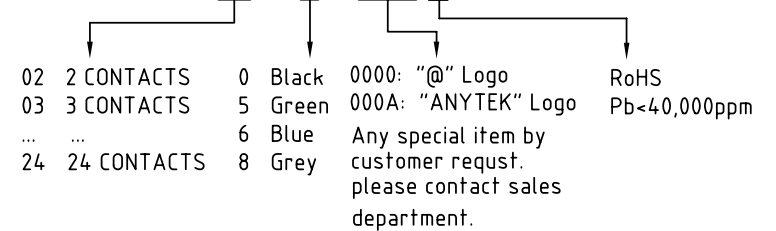
- Voltage rating: 300VAC
- Current rating: 15A
- Wire range:
  - Solid wire(AWG): 14-22
  - Stranded wire(AWG): 14-22
- Torque(Lb-In): 3.5
- Screw: M2.6
- Wire strip length: 6-7mm
- Withstanding Voltage: 1.6KV
- Operating temperature: -40°C to +115°C

△ ● Soldering temperature: 250°C±10°C/5 Sec

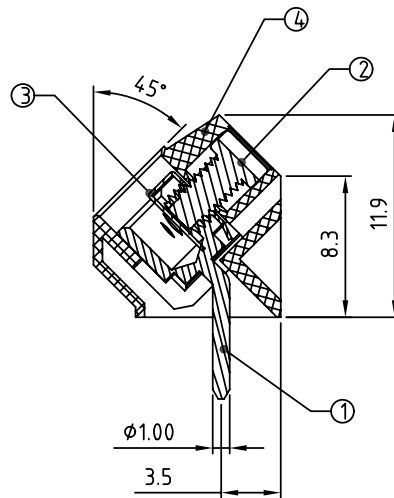
△ ● Safety approval: 

△ Part No.:

VY xx 01 x 0 xxxx G



N=NUMBER OF CONTACTS



Poles	02	03	04	05	06	07	08	09	10	11	12	13
Dim L	10.00	15.00	20.00	25.00	30.00	35.00	40.00	45.00	50.00	55.00	60.00	65.00
Dim B	5.00	10.00	15.00	20.00	25.00	30.00	35.00	40.00	45.00	50.00	55.00	60.00
TOL	±0.15				±0.20						±0.25	
Poles	14	15	16	17	18	19	20	21	22	23	24	
Dim L	70.00	75.00	80.00	85.00	90.00	95.00	100.0	105.0	110.0	115.0	120.0	
Dim B	65.00	70.00	75.00	80.00	85.00	90.00	95.00	100.0	105.0	110.0	115.0	
TOL	±0.25						±0.30					

<b>ANYTEK</b>				<b>CUSTOMER COPY</b>			
ALL RIGHTS RESERVED. REPRODUCTION OR ISSUE TO THIRD PARTIES IN ANY FORM WHATSOEVER IS NOT PERMITTED WITHOUT WRITTEN AUTHORITY FROM THE PROPRIETOR. PROPERTY OF ANYTEK TECHNOLOGY CO., LTD							
TITLE	VY-5.0mm Series						
PART NO.	VYxx01x0xxxxG			DWG NO.	8VY0101		
APPROVED	CHECKED	DESIGNED	DRAWN	CUST NO.	Tolerance		
	Marvin 2007.07.06	Marvin 2007.07.06	Marvin 2007.07.06		X. ±0.50		
					X.X ±0.30		
					X.XX ±0.10		
					X° ±1°		
				UNIT: mm			
				SCALE: NONE			
				SHEET: 01/01	REV.: F		