

# VM xx 5 5 x 0 xxxx G

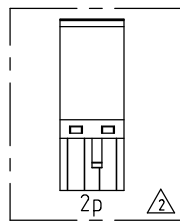
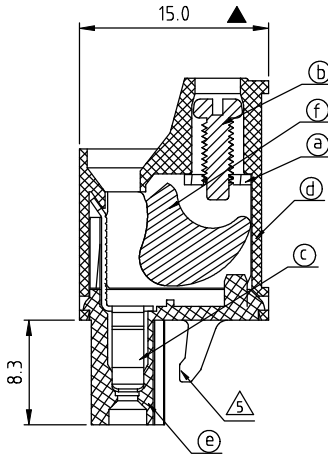
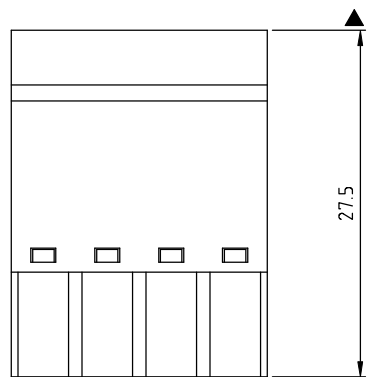
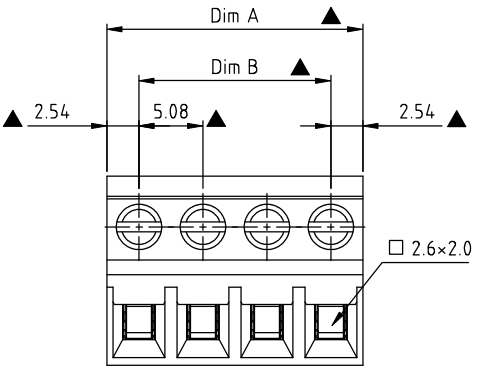
Solid Block  
 02 2 CONTACTS  
 03 3 CONTACTS  
 ... ..  
 24 24 CONTACTS

Color  
 0 Black (RAL9005)  
 2 Red (RAL3001/D)  
 3 Orange(RAL2011/P)  
 4 Yellow(RAL1018/A)  
 5 Green(RAL6018/T)  
 6 Blue (RAL5015/A)  
 8 Grey(RAL7035/D)  
 9 White(RAL1102)  
 C Green(RAL6018/U)

G RoHS compliant (lead<4%)  
 In copper Alloy  
 0000: Standard  
 000A: "ANYTEK" Mark  
 Any special item by customer request.  
 please contact sales department.

REV	SIGN	DATE	DESCRIPTION	APPROVER
D	△	02/07'06	Part No. changed	Tony
E	△	2010.03.23	Add the 2p mark	Jacke
F	△	2012.06.05	Update drawing	Chen Bo
G	△	05/21-19	Added VDE logo	Chen Bo
	△	05/21-19	Update drawing	Chen Bo

THIS IS CAD DRAWING, DO NOT REVISE MANUALLY!!!



## Material

- Item a Clamp: Steel zinc plated.
- Item b Terminal screw: Steel Zinc plating "-" slot type
- Item c Female contact: PhBz, Bright Tin plated over Nickel plated
- Item d Terminal (Up body): Thermoplastic (UL94V-0)
- Item e Terminal (Down body): Thermoplastic (UL94V-0)
- Item f Clampage: Steel Zinc plated

## Electrical cULus/TUV/VDE

- Voltage rating: 300VAC/300VAC/300VAC
- Current rating: 20A/20A/20A
- Wire range: 0.34-2.5mm<sup>2</sup>/0.34-2.5mm<sup>2</sup>
- Solid wire(AWG): 12-22
- Stranded wire(AWG): 12-22
- Torque: 3.5Lb-In / 0.4Nm/ 0.4Nm
- Screw: M2.5
- Wire strip length: 8-9mm
- Withstanding Voltage: 1.6KV/2.5KV/2.5KV
- Operating temperature: -40°C to +115°C
- Safety approval: cULus TUV VDE
- Critical dimension: ▲

N = Number of poles  
 Dim A=Nx5.08  
 Dim B=(N-1)x5.08

Poles	Dim A	Dim B
2-6p	±0.20	±0.20
7-12p	±0.25	±0.25
13-18p	±0.30	±0.30
19-24p	±0.40	±0.40

# Amphenol ANYTEK

## CUSTOMER COPY

ALL RIGHTS RESERVED. REPRODUCTION OR ISSUE TO THIRD PARTIES IN ANY FORM WHATSOEVER IS NOT PERMITTED WITHOUT WRITTEN AUTHORITY FROM THE PROPRIETOR. PROPERTY OF ANYTEK TECHNOLOGY CO., LTD

TITLE		VM 5.08mm W/O Flange Series		
PART NO.	VMxx55x0xxxxG	DWG NO.	8VM0101	
APPROVED	CHECKED	DESIGNED	DRAWN	CUST NO.
		Chen Bo 05/21-19	Chen Bo 05/21-19	
				Tolerance X. ±0.50 X.X ±0.30 X.XX ±0.10 X* ±1°
SHEET: 01/01		UNIT: mm		SCALE: NONE
		REV.: G		