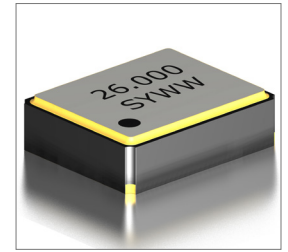
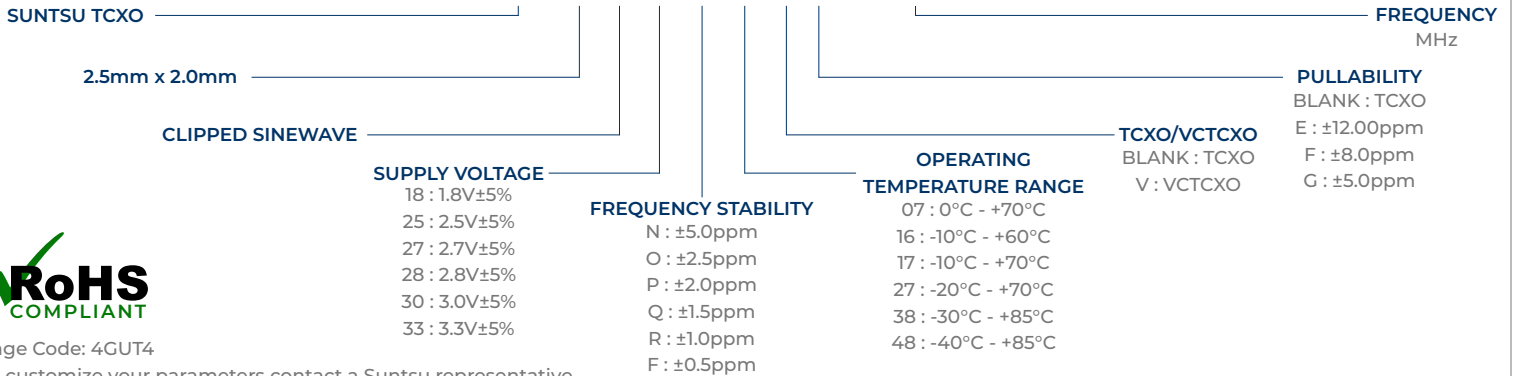


Features
<ul style="list-style-type: none"> ±0.5ppm (Frequency Stability) Available Clipped Sinewave (VC)TCXO Tape and Reel

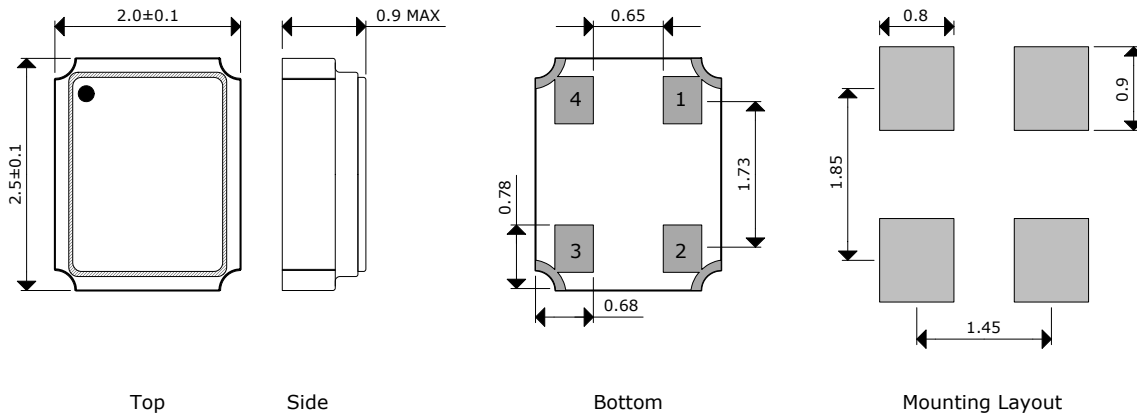
Applications
<ul style="list-style-type: none"> GPS Mobile Communication Equipment Cellular And Cordless Phones IP Networking


Part Numbering Guide
STC 22 K 30 R 48 V E - 26.000M


Electrical Parameters	Units	Minimum	Typical	Maximum	Remarks
Frequency Range	MHz	13		52	
Frequency Tolerance at +25°C	ppm	-2.0		+2.0	1 Hour after reflow
Freq. Stability vs. Op Temp.	ppm	-0.5		+0.5	See part numbering guide for options.
Freq. Stability vs. Supply Voltage	ppm	-0.2		+0.2	V _{DD} ±5% change.
Freq. Stability vs. Load	ppm	-0.2		+0.2	±10% change
Freq. Stability vs. Aging	ppm	-1.0		+1.0	1 Year
Operating Temperature	°C	-40		+85	See part numbering guide for options.
Storage Temperature	°C	-55		+125	
Supply Voltage (V _{DD}) - 3.0V Option	V	2.985	3.0	3.015	See part numbering guide for options.
Current (I _{DD})	mA			2	
Control Voltage (V _c , VCTCXO)	V	0		V _{DD}	Center Voltage: V _{DD} *50%.
Pullability (VCTCXO)	ppm	±5.0		±12.0	See part numbering guide for options.
Linearity (VCTCXO)	%			10	
Output Load (Clipped Sinewave)	kΩ//pF			10//10	
Output Logic Levels	V _{P-P}	0.8			
Symmetry (Duty Cycle)	%	40	50	60	
Start-Up Time	ms			2.0	
VC Input Impedance (VCTCXO)	kΩ	100			
Phase Noise (Typical) 10Hz Offset	dBc/Hz		-85		
Phase Noise (Typical) 100Hz Offset	dBc/Hz		-115		
Phase Noise (Typical) 1KHz Offset	dBc/Hz		-135		
Phase Noise (Typical) 10KHz Offset	dBc/Hz		-145		
Phase Noise (Typical) 100KHz Offset	dBc/Hz		-150		

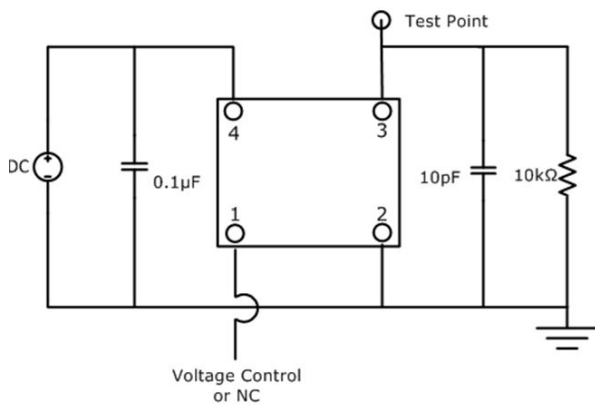
Outline Drawing

All dimensions are in millimeters (mm) unless otherwise noted. Drawings are not to scale.

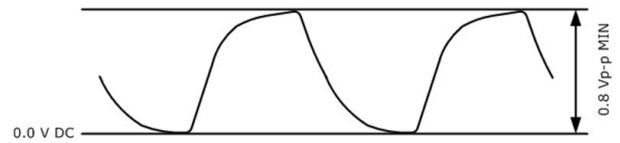


PIN	FUNCTION
1	V _c (VCTCXO) or NC (TCXO)
2	GND
3	OUTPUT
4	V _{DD}

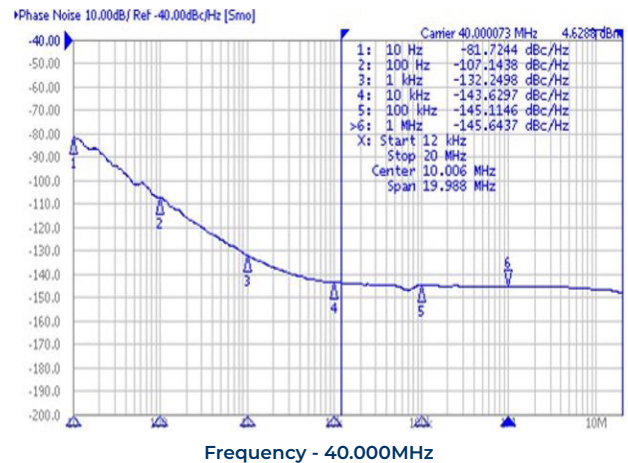
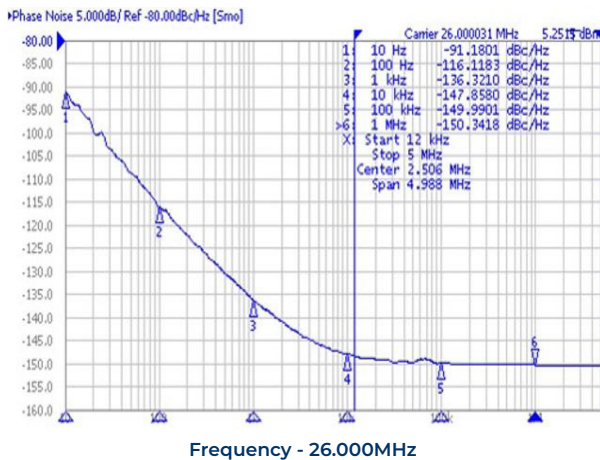
Test Circuit (Clipped Sinewave)



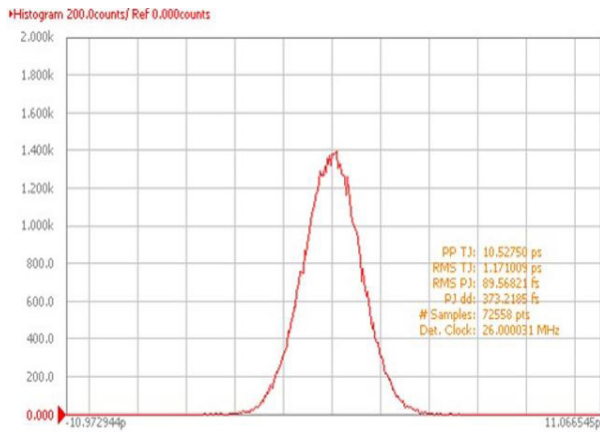
Waveform (Clipped Sinewave)



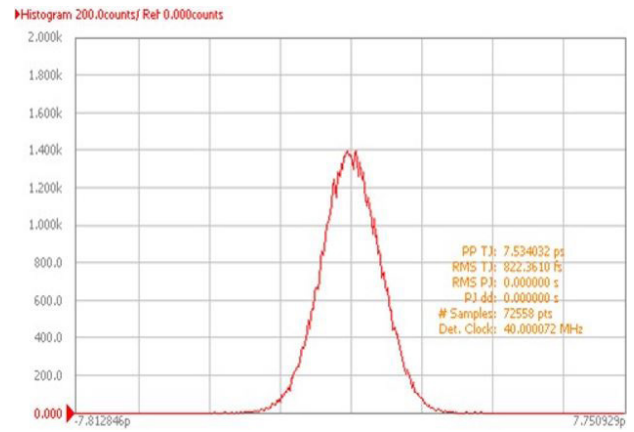
Typical Phase Noise (Measured By Agilent E5052A)



Jitter Performance (Measured By Agilent E5052A)



Frequency - 26.000MHz

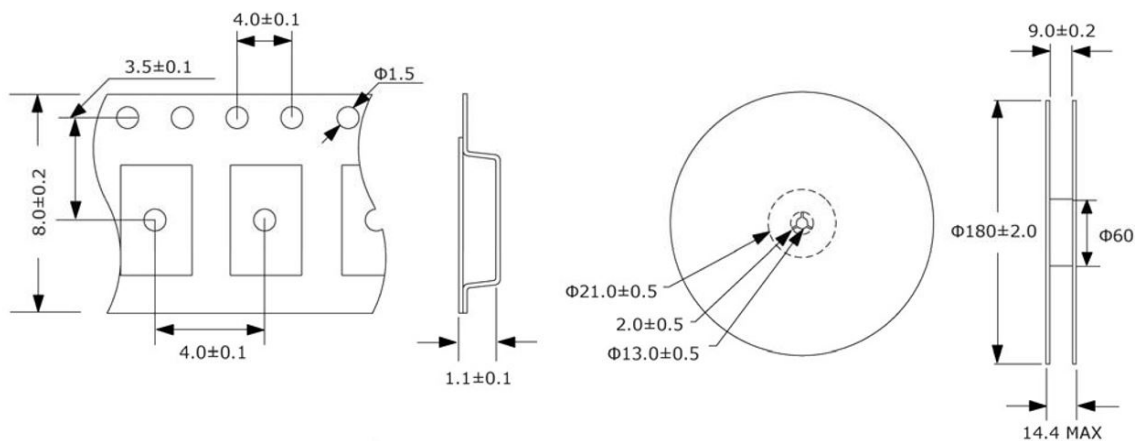


Frequency - 40.000MHz

Tape And Reel Dimensions

All dimensions are in millimeters (mm) unless otherwise noted. Drawings are not to scale.

3,000pcs/Reel



Reflow Profile & Part Marking

