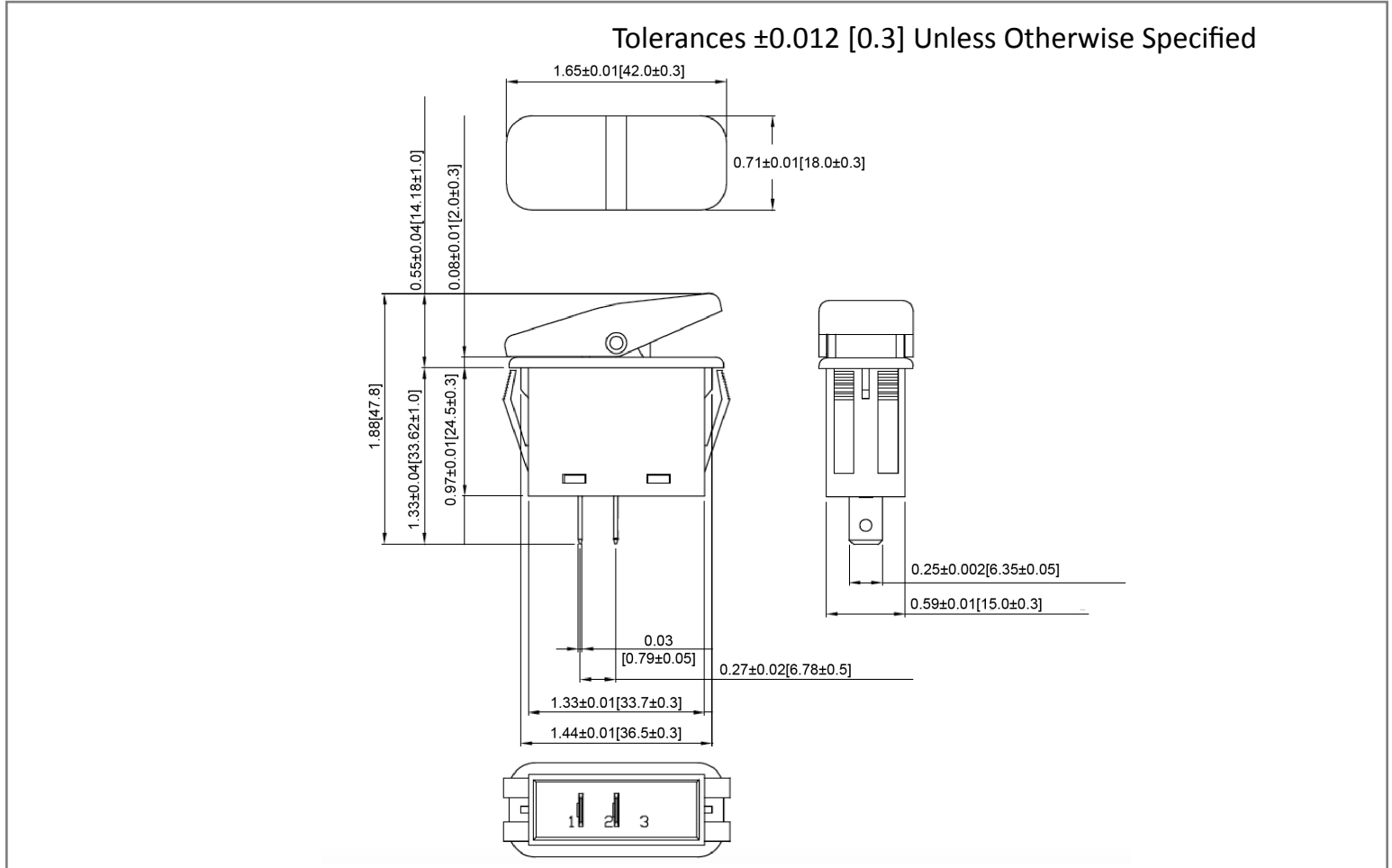
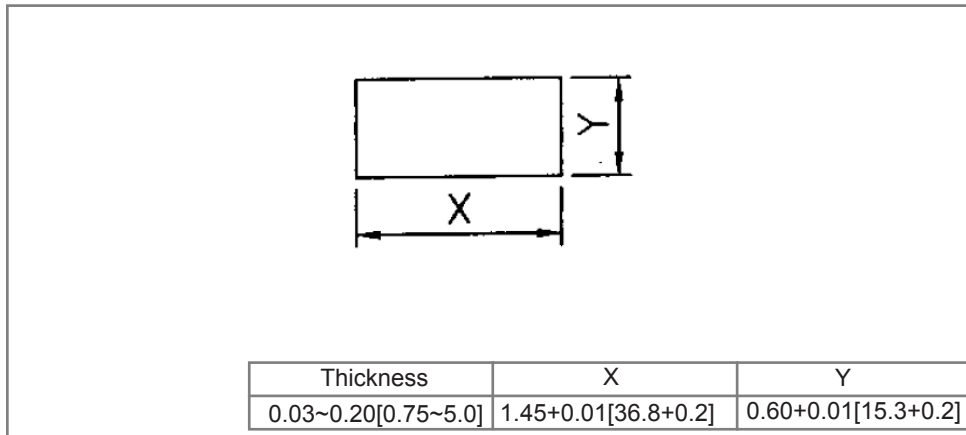


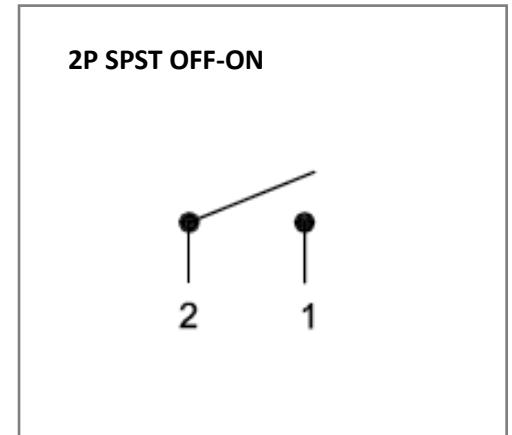
Mechanical Dimensions: Inches [mm]



Mounting Hole



Circuit Diagram



Electrical Specifications

DC Rating	20A 14V DC, 10A 24V DC
AC Rating	"20A 125V AC 1/3HP, 10A 250V AC 3/4HP 10(4)A 250V AC"
Contact Resistance	50m ohm Max
Insulation Resistance	DC 500V 100M ohm Min
Dielectric Strength	AC 1500V 1minute

Material Specifications

Frame	Black, Nylon #66
Actuator	Black, Nylon 66+33%GF
Ignition Protection	IP56
Operation Temperature	-25°C~85°C

Rev	Date of issue	Revision Notes	Designed	Approved
B	02-26-2020	Initial Drawing	RC	OF