

# S CN BN - J 1 1 75 - SO RPE

SUNTSU

CONNECTOR

BNC

Connector Type  
Jack

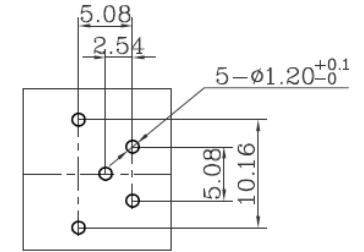
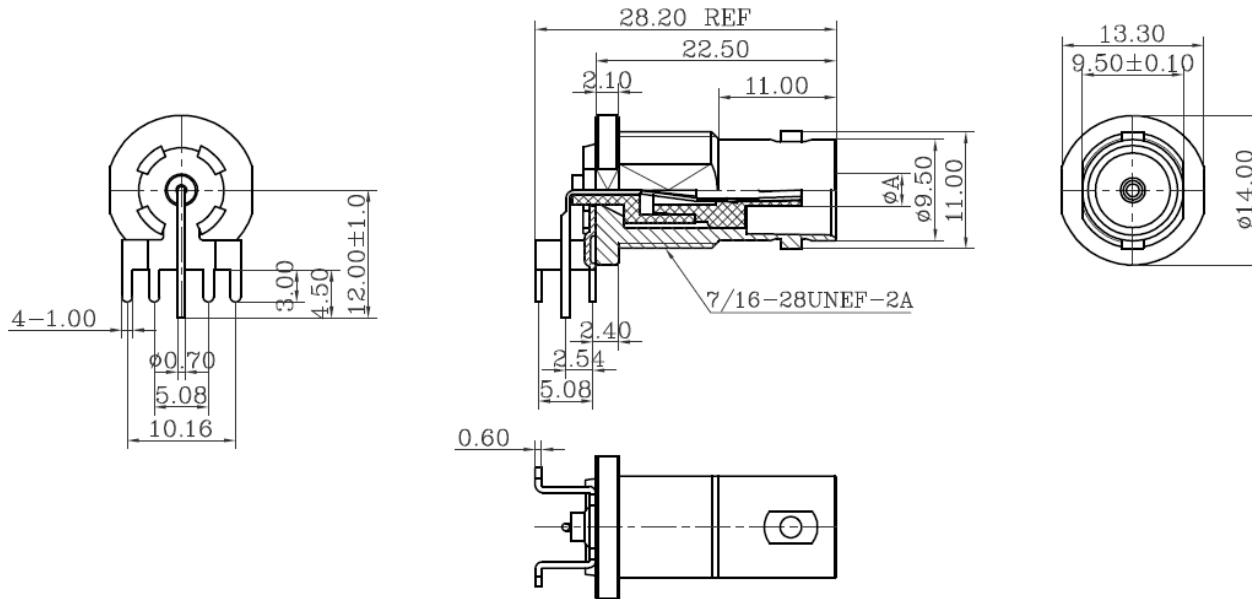
Rows

Connectors  
per Row

Impedance  
75

Contact Termination  
Solder

Mounting Style  
Right Angle PCB  
Mount Exposed



**Recommended  
Mounting  
Layout**

- Materials:
  - Body: Zinc Nickel Plated
  - Contact: Brass Nickel Plated
- Normal Impedance: 75 $\Omega$
- Frequency Range: 0-4 GHz
- Max Peak Voltage: 500V
- Dielectric Strength: 1500V RMS
- Insulation Resistance: 5000M $\Omega$ /Min



**BNC FEMALE RIGHT ANGLE  
PCB MOUNT**

Document History				Part No.	Drawn
Edits Made	Date	Edited By	Approved By	SCNBN-J1175-SORPE	B. Gibbons 03/23/2022
Initial Release	03/23/2022	B. Gibbons	KH Mun	Scale	Tolerance
				Not drawn to scale	0.5-15 = $\pm$ 0.15 15-30 = $\pm$ 0.30 30-120 = $\pm$ 0.60 >120 = $\pm$ 1.00
				Unit	Pages
				mm	1/1