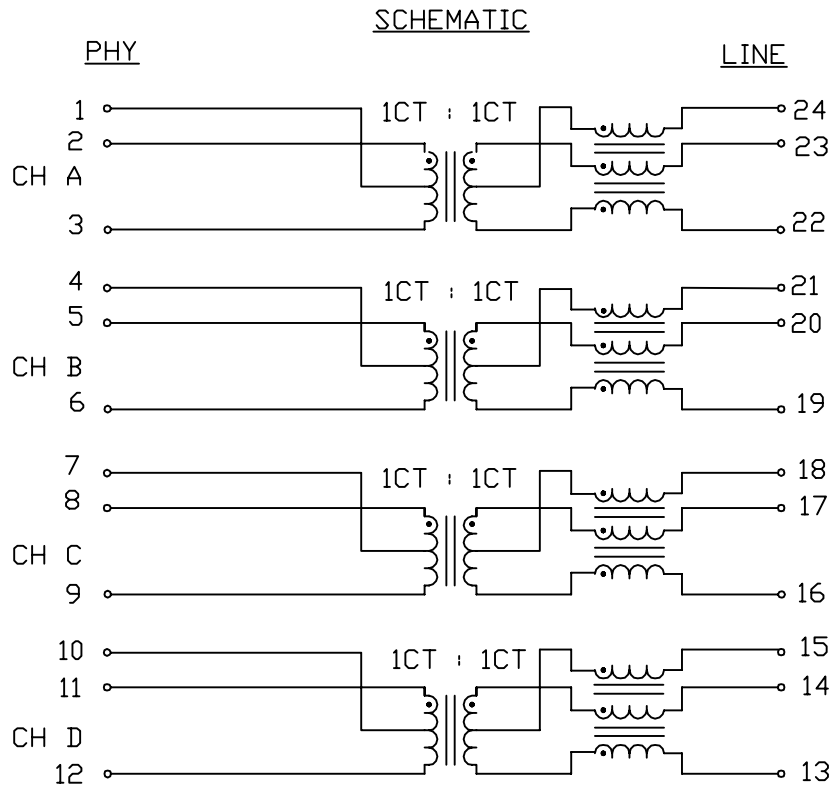


THE INFORMATION CONTAINED HEREIN IS CONSIDERED "PROPRIETARY" TO BEL FUSE INC. AND SHALL NOT BE COPIED, REPRODUCED OR DISCLOSED WITHOUT THE WRITTEN APPROVAL OF BEL FUSE INC.

ELECTRICAL SPECIFICATION @25°C



TURNS RATIO  
 (2-1-3) : (23-24-22)  
 (5-4-6) : (20-21-19)  
 (8-7-9) : (17-18-16)  
 (11-10-12) : (14-15-13)

1CT : 1CT  
 1CT : 1CT  
 1CT : 1CT  
 1CT : 1CT

POLARITY

PER DOT CONVENTION

□CL  
 @100kHz, 100mV, 19mA DC BIAS

120uH MIN

HIPOT

2250VDC @5SEC

INSERTION LOSS

FREQ(MHz)	1	2-300	400	500
MAX (dB)	0.3	1.0	1.5	2.0

RETURN LOSS  
 (100 OHM LINESIDE LOAD)

FREQ(MHz)	1	2-100	200	500	600
MIN (dB)	18	20	15	12	9

COMM. TO DIFF. MODE  
 REJECTION

FREQ(MHz)	50	100	200	300	400	500
MAX (dB)	48	42	36	33	30	28

DIFF. TO COMM. MODE  
 REJECTION

FREQ(MHz)	50	100	200	300	400	500
MAX (dB)	30	27	24	22	21	20

BALANCED DC LINE CURRENT: 600mA NOMINAL CONTINUOUS  
 720mA MAXIMUM CONTINUOUS  
 1.2A MAXIMUM FOR 200mS

TEMPERATURE RANGE: 0 TO 70C

DESIGNED FOR 10G PoE APPLICATIONS

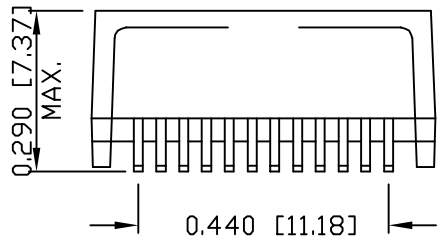
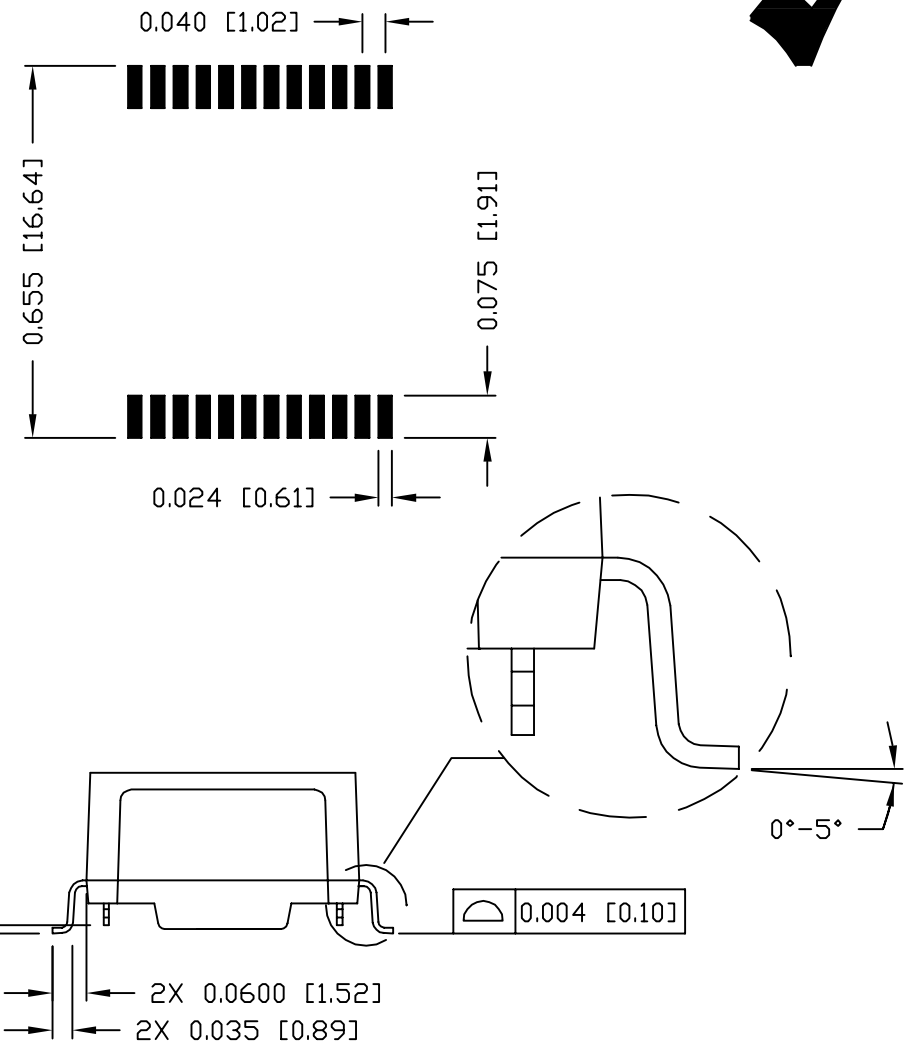
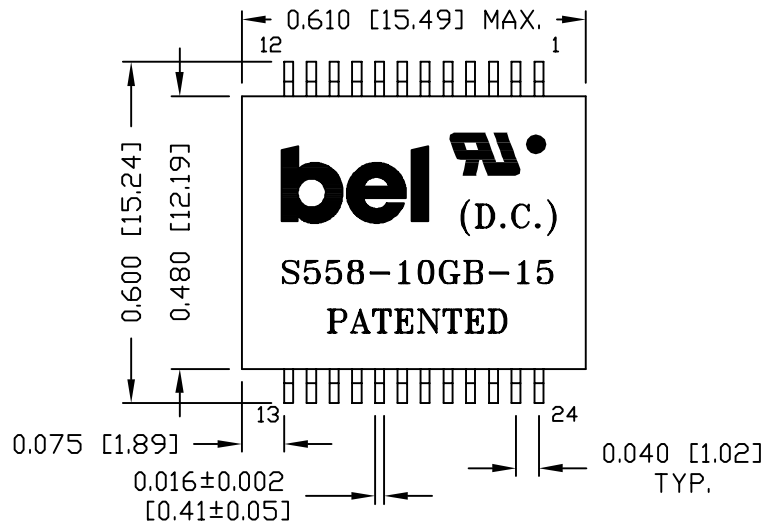
\* INTERNAL USE ONLY

ORIGINATED BY	DATE	TITLE	PART NO. / DRAWING NO.	STANDARD DIM.	[ ] METRIC DIM. AS REF.	REV. : A	PAGE : 2
Alice Pang	2016-12-07	ELECTRICAL SPECIFICATION	S558-10GB-15	TOL. IN INCH	UNIT : INCH [mm]		
DRAWN BY	DATE		FILE NAME	.X	SCALE : N/A		
ZC Guo	2016-12-07		S55810GB15A.DWG	.XX	SIZE : A4		
				.XXX			

THE INFORMATION CONTAINED HEREIN IS CONSIDERED "PROPRIETARY" TO BEL FUSE INC. AND SHALL NOT BE COPIED, REPRODUCED OR DISCLOSED WITHOUT THE WRITTEN APPROVAL OF BEL FUSE INC.



SUGGESTED PCB PAD LAYOUT



NOTES:

- STANDARD MARKING REFER TO DOC. HAND-WORK-04.
- PACKAGE CODE: "QABS001".

ORIGINATED BY Lawrence Tsang	DATE 2016-12-07	TITLE MECHANICAL SPECIFICATION	PART NO. / DRAWING NO. S558-10GB-15	STANDARD DIM. TOL. IN INCH	[ ] METRIC DIM. AS REF.	REV. : A	PAGE : 3
DRAWN BY ZC Guo	DATE 2016-12-07		FILE NAME S55810GB15A.DWG	.X	UNIT : INCH [mm]		
				.XX ±0.01	SCALE : N/A		
				.XXX ±0.005	SIZE : A4		