

## 2A, 6.5V, Ultra Low Noise, Ultra Low Dropout Linear Regulator

### General Description

The RTQ2520 is a high-current (2A), low-noise ( $7\mu\text{V}_{\text{RMS}}$ ), high accuracy (1% over line, load, and temperature), low-dropout linear regulator (LDO) capable of sourcing 2A with extremely low dropout (max. 125mV). The device supports single input supply voltage as low to 1.1V that makes it easy to use.

The low noise, high PSRR and high output current capability makes the RTQ2520 ideal to power noise-sensitive devices such as analog-to-digital converters (ADCs), digital-to-analog converters (DACs), and RF components. With very high accuracy, remote sensing, and soft-start capabilities to reduce inrush current, the RTQ2520 is ideal for powering digital loads such as FPGAs, DSPs, and ASICs.

The external enable control and power good indicator function makes the sequence control easier. The output noise immunity is enhanced by adding external bypass capacitor on NR/SS pin. The device is fully specified over the temperature range of  $T_J = -40^{\circ}\text{C}$  to  $125^{\circ}\text{C}$  and is offered in the WDFN-8EL 3x3 package.

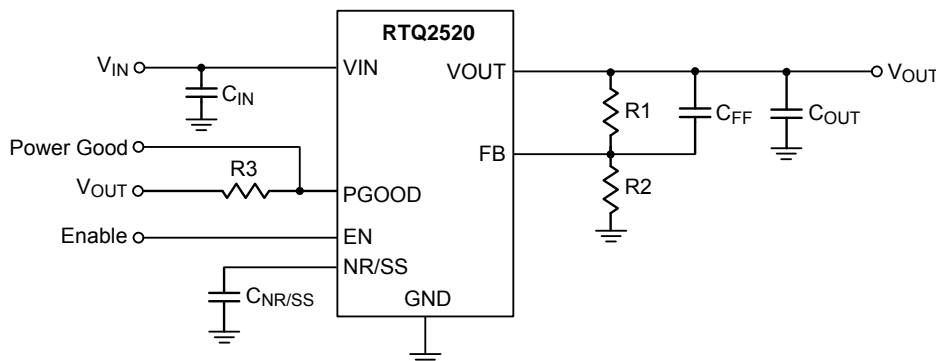
### Features

- Input Voltage Range : 1.1V to 6.5V
- Output Voltage Range : 0.5V to 5.5V
- Accurate Output Voltage Accuracy (1%) Over Line, Load and Temperature
- Ultra High PSRR : 38dB at 500kHz
- Excellent Noise Immunity
  - ▶  $7\mu\text{V}_{\text{RMS}}$  at 0.5V Output
  - ▶  $10\mu\text{V}_{\text{RMS}}$  at 3.3V Output
- Ultra Low Dropout Voltage : 125mV at 2A
- Enable Control
- Programmable Soft-Start Output
- Stable with a 22 $\mu\text{F}$  or Larger Ceramic Output Capacitor
- Support Power-Good Indicator Function
- RoHS Compliant and Halogen Free

### Applications

- Portable Electronic Device
- Wireless Infrastructure : SerDes, FPGA, DSP
- RF, IF Components : VCO, ADC, DAC, LVDS

### Simplified Application Circuit



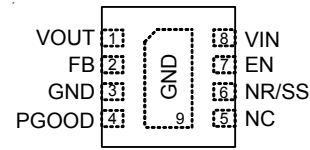
## Ordering Information

RTQ2520□□

- Package Type  
QW : WDFN-8EL 3x3 (W-type)
- Lead Plating System  
G : Green (Halogen Free and Pb Free)

## Pin Configuration

(TOP VIEW)



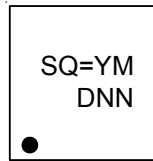
WDFN-8EL 3x3

Note :

Richtek products are :

- ▶ RoHS compliant and compatible with the current requirements of IPC/JEDEC J-STD-020.
- ▶ Suitable for use in SnPb or Pb-free soldering processes.

## Marking Information



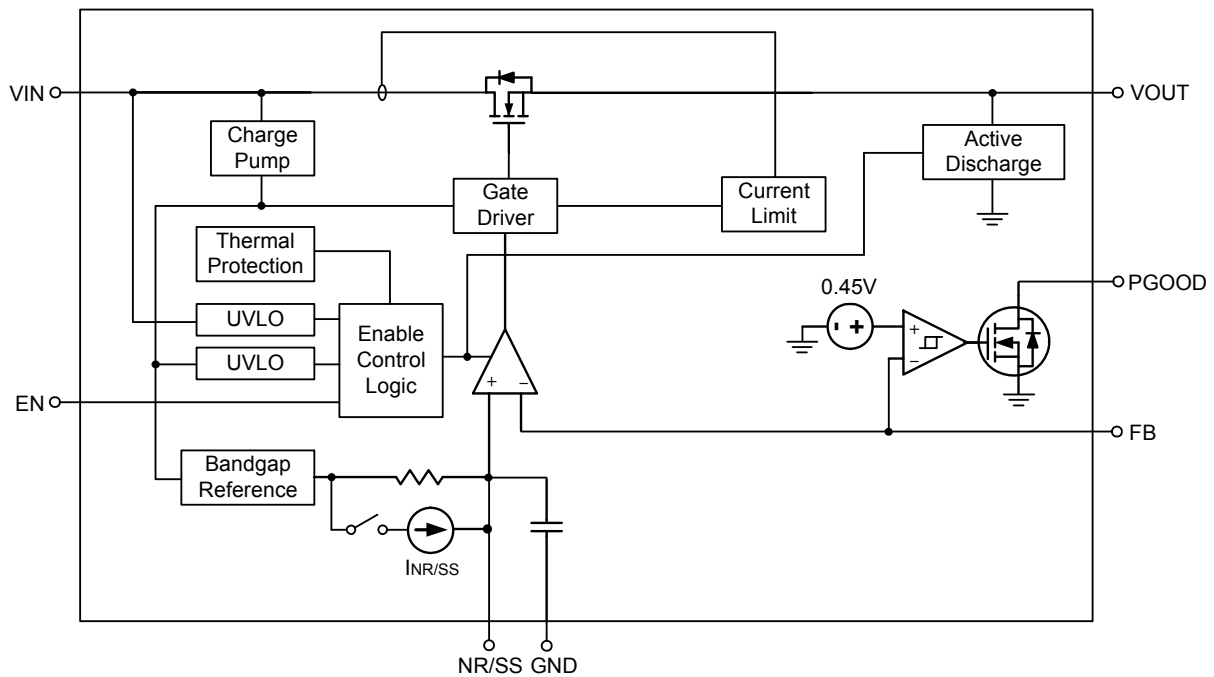
SQ= : Product Code

YMDNN : Date Code

## Functional Pin Description

Pin No.	Pin Name	Pin Function
1	VOUT	LDO output pins. A 22 $\mu$ F or larger ceramic capacitor (10 $\mu$ F or greater of effective capacitance) is required for stability. Place the output capacitor as close to the device as possible and minimize the impedance between VOUT pin to load.
2	FB	Feedback voltage input. This pin is used to set the desired output voltage via an external resistive divider. The feedback reference voltage is 0.5V typically.
3, 9 (Exposed Pad)	GND	Ground. The exposed pad must be soldered to a large PCB and connected to GND for maximum the power dissipation.
4	PGOOD	Power good indicator output. An open-drain output and active high when the output voltage reaches 88% of the target. The pin is pulled to ground when the output voltage is lower than its specified threshold, EN shutdown, OCP and OTP.
5	NC	No internal connection. Leave these pins floating doesn't affect the chip functionality. By connecting these pins to GND, design engineers could extend the GND copper coverage on the PCB top layer to enhance the thermal convection.
6	NR/SS	Noise-reduction and soft-start pin. Decouple this pin to GND with an external capacitor C <sub>NR/SS</sub> can not only reduce output noise to very low levels but also slow down the VOUT rise like a soft-start behavior. For low noise applications, a 10nF to 1 $\mu$ F C <sub>NR/SS</sub> is suggested.
7	EN	Enable control input. Connecting this pin to logic high enables the regulator or driving this pin low puts it into shutdown mode. The device can operate with V <sub>IN</sub> and V <sub>EN</sub> sequenced in any order. Mostly, enabling the device after V <sub>IN</sub> is present can achieve precise timing control.
8	VIN	Supply input. A minimum of 22 $\mu$ F ceramic capacitor or greater of capacitance is required and should be placed as close as possible to this pin for better noise rejection.

**Functional Block Diagram**



**Operation**

The RTQ2520 operates with single supply input ranging from 1.1V to 6.5V and capable to deliver 2A current to the output. The device features high PSRR and low noise provides a clean supply to the application.

A low-noise reference and error amplifier are included to reduce device noise. The NR/SS capacitor filters the noise from the reference and feed-forward capacitor filters the noise from the error amplifier. The high power-supply rejection ratio (PSRR) of the RTQ2520 minimize the coupling of input supply noise to the output.

**Enable and Shutdown**

The RTQ2520 provides an EN pin, as an external chip enable control, to enable or disable the device.  $V_{EN}$  below 0.5 V turns the regulator off and enters the shutdown mode, while  $V_{EN}$  above 1.1V turns the regulator on. When the regulator is shutdown, the ground current is reduced to a maximum of 25 $\mu$ A. The enable circuitry has hysteresis (typically 50mV) for use with relatively slowly ramping analog signals.

If not used, connect EN to the largest capacitance on the

input as close as possible to prevent voltage droops on the VIN line from triggering the enable circuit.

**Programmable Soft-Start**

The noise-reduction capacitor ( $C_{NR/SS}$ ) accomplishes dual purpose of both noise-reduction and programming the soft-start ramp time during turn-on. When EN and UVLO exceeds the respective threshold voltage, the RTQ2520 active a quick-start circuit to charge the noise reduction capacitor ( $C_{NR/SS}$ ) and then the output voltage ramps up.

**Power Good**

The power-good circuit monitors the feedback pin voltage to indicate the status of the output voltage. The open-drain PGOOD pin requires an external pull-up resistor to an external supply, any downstream device can receive power-good as a logic signal that can be used for sequencing. Pull-up resistor from 10k $\Omega$  to 100k $\Omega$  is recommended. Make sure that the external pull-up supply voltage results in a valid logic signal for the receiving device or devices.

After start-up, the PGOOD pin becomes high impedance when the feedback voltage exceeds  $V_{PGOOD\_HYS}$  (Typically 90% of 0.5V reference voltage level). The PGOOD is pulled to GND when the feedback pin voltage falls below the  $V_{IT\_PGOOD}$ , EN low, current limit, and OTP.

### Under-Voltage Lockout (UVLO)

The UVLO circuit monitors the input voltage to prevent the device from turning on before  $V_{IN}$  rises above the  $V_{UVLO}$  threshold. The UVLO circuit also disables the output of the device when  $V_{IN}$  fall below the lockout voltage ( $V_{UVLO} - \Delta V_{UVLO}$ ). The UVLO circuit responds quickly to glitches on  $V_{IN}$  and attempts to disable the output of the device if  $V_{IN}$  collapse.

### Internal Current Limit ( $I_{LIM}$ )

The RTQ2520 continuously monitors the output current to protect the pass transistor against abnormal operations. When an overload or short circuit is encountered, the current limit circuitry controls the pass transistor's gate voltage to limit the output within the predefined range.

Thermal shutdown can activate during a current limit event because of the high power dissipation typically found in these conditions. To ensure proper operation of the current limit, minimize the inductances to the input and load. Continuous operation in current limit is not recommended.

By reason of the build-in body diode, the pass transistor conducts current when the output voltage exceeds input voltage. Since the current is not limited, external current protection should be added if the device may work at reverse voltage state.

### Over-Temperature Protection (OTP)

The RTQ2520 implements thermal shutdown protection. The device is disable when the junction temperature ( $T_J$ ) exceeds 160°C (typical). The LDO automatically turn-on again when the temperature falls to 140°C (typical).

For reliable operation, limit the junction temperature to a maximum of 125°C. Continuously running the RTQ2520 into thermal shutdown or above a junction temperature of 125°C reduces long-term reliability.

### Output Active Discharge

When the device is disabled, the RTQ2520 discharges the LDO output (via VOUT pins) through an internal several hundred ohms to ground. Do not rely on the active discharge circuit for discharging a large amount of output capacitance after the input supply has collapsed because reverse current can possibly flow from the output to the input. External current protection should be added if the device may work at reverse voltage state.

**Absolute Maximum Ratings** (Note 1)

- VIN, PGOOD, EN ----- -0.3V to 7V
- VOUT ----- -0.3V to (VIN + 0.3V)
- NR/SS, FB ----- -0.3V to 3.6V
- Power Dissipation, PD @ TA = 25°C  
 WDFN-8EL 3x3 ----- 3.27W
- Package Thermal Resistance (Note 2)  
 WDFN-8EL 3x3, θJA ----- 30.5°C/W  
 WDFN-8EL 3x3, θJC ----- 7.5°C/W
- Lead Temperature (Soldering, 10 sec.) ----- 260°C
- Junction Temperature ----- 150°C
- Storage Temperature Range ----- -65°C to 150°C
- ESD Susceptibility (Note 3)  
 HBM (Human Body Model) ----- 2kV

**Recommended Operating Conditions** (Note 4)

- Supply Input Voltage, VIN ----- 1.1V to 6.5V
- Junction Temperature Range ----- -40°C to 125°C

**Electrical Characteristics**

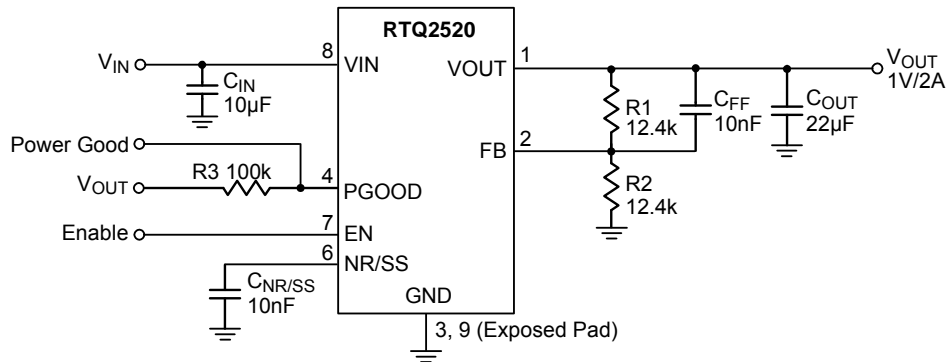
Over operating temperature range (TJ = -40°C to 125°C), (1.1V ≤ VIN < 6.5V and VIN ≥ VOUT(TARGET) + 0.3 V, VOUT(TARGET) = 0.5V, VOUT connected to 50Ω to GND, VEN = 1.1 V, CIN = 10μF, COUT = 22μF, CNR/SS = 0nF, CFF = 0nF, and PGOOD pin pulled up to VIN with 100kΩ, unless otherwise noted. (Note 5)

Parameter	Symbol	Test Conditions	Min	Typ	Max	Unit
Operating Input Voltage Range	VIN		1.1	--	6.5	V
Feedback Reference Voltage	VREF		--	0.5	--	V
NR/SS Pin Voltage	VNR/SS		--	0.5	---	V
Under-Voltage Lock-Out	VUVLO	VIN increasing	--	1.02	1.085	V
	ΔVUVLO	Hysteresis	--	150	--	mV
Output Voltage Range			0.5V -1.5%	--	5.5V +1%	V
Output Voltage Accuracy (Note 6)	VOUT	VIN = VOUT + 0.3V, 0.5V ≤ VOUT < 0.8V 5mA ≤ IOUT ≤ 2A	-1.5	--	+1.5	%
		VIN = VOUT + 0.3V, 0.8V ≤ VOUT ≤ 5.5V 5mA ≤ IOUT ≤ 2A	-1	--	+1	
Line Regulation	ΔVOUT/ΔVIN	IOUT = 5mA, 1.4V ≤ VIN ≤ 6.5 V	--	0.05	--	%/V
Load Regulation	ΔVOUT/ΔIOUT	5mA ≤ IOUT ≤ 2A	--	0.08	--	%/A
Dropout Voltage	VDROP	IOUT = 2A, VFB = 0.5V - 3%	--	--	125	mV
Output Current Limit	ILIM	VOUT = 90% VOUT(TARGET), VIN = VOUT(TARGET) + 400mV	2.1	3.4	4.2	A

Parameter	Symbol	Test Conditions	Min	Typ	Max	Unit	
Ground Pin Current	I <sub>GND</sub>	Minimum load, V <sub>IN</sub> = 6.5V, I <sub>OUT</sub> = 5mA	--	2.8	4	mA	
		Maximum load, V <sub>IN</sub> = 1.4V, I <sub>OUT</sub> = 2A	--	3.7	5.5		
		Shutdown, PGOOD = Open, V <sub>IN</sub> = 6.5V, V <sub>EN</sub> = 0.5V	--	--	25	μA	
EN Pin Current	I <sub>EN</sub>	V <sub>IN</sub> = 6.5V, V <sub>EN</sub> = 0V and 6.5V	-0.1	--	0.1	μA	
EN Pin Threshold Voltage	V <sub>EN_H</sub>	EN Input Voltage "H"	1.1	--	6.5	V	
	V <sub>EN_L</sub>	EN Input Voltage "L"	0	--	0.5		
PGOOD Pin Threshold	V <sub>IT_PGOOD</sub>	For the direction PGOOD signal falling with decreasing V <sub>OUT</sub>	0.82 x V <sub>OUT</sub>	0.883 x V <sub>OUT</sub>	0.93 x V <sub>OUT</sub>	V	
PGOOD Pin Hysteresis	V <sub>PGOOD_HYS</sub>	For PGOOD signal rising	--	0.025 x V <sub>OUT</sub>	--	V	
PGOOD Pin Low-Level Output Voltage	V <sub>PGOOD_L</sub>	V <sub>OUT</sub> < V <sub>IT_PGOOD</sub> , I <sub>PGOOD</sub> = -1mA (current into device)	--	--	0.4	V	
PGOOD Pin Leakage Current	I <sub>PGOOD_LK</sub>	V <sub>OUT</sub> > V <sub>IT_PGOOD</sub> , V <sub>PGOOD</sub> = 6.5V	--	--	1	μA	
NR/SS Pin Charging Current	I <sub>NR/SS</sub>	V <sub>NR/SS</sub> = GND, V <sub>IN</sub> = 6.5V	4	6.2	9	μA	
FB Pin Leakage Current	I <sub>FB</sub>	V <sub>IN</sub> = 6.5V	-100	--	100	nA	
Power Supply Rejection Ratio	PSRR	V <sub>IN</sub> = 4.3V, V <sub>OUT</sub> = 3.3V, I <sub>OUT</sub> = 750mA, C <sub>NR/SS</sub> = C <sub>FF</sub> = 10nF, C <sub>OUT</sub> = 22μF	f = 10kHz	--	60	--	dB
			f = 500kHz	--	38	--	
Output Noise Voltage	e <sub>NO</sub>	BW = 10Hz to 100kHz, I <sub>OUT</sub> = 2A, C <sub>NR/SS</sub> = 100nF, C <sub>FF</sub> = 10nF, C <sub>OUT</sub> = 22μF	V <sub>IN</sub> = 1.1V, V <sub>OUT</sub> = 0.5V	--	7	--	μV <sub>RMS</sub>
			V <sub>OUT</sub> = 3.3V	--	10	--	
Thermal Shutdown Threshold	T <sub>SD</sub>	Temperature increasing	--	160	--	°C	
		Temperature decreasing	--	140	--		

- Note 1.** Stresses beyond those listed under “Absolute Maximum Ratings” may cause permanent damage to the device. These are stress ratings only, and functional operation of the device at these or any other conditions beyond those indicated in the operational sections of the specifications is not implied. Exposure to absolute maximum rating conditions may affect device reliability.
- Note 2.**  $\theta_{JA}$  is measured under natural convection (still air) at  $T_A = 25^\circ\text{C}$  with the component mounted on a high effective-thermal-conductivity four-layer test board on a JEDEC 51-7 thermal measurement standard.  $\theta_{JC}$  is measured at the exposed pad of the package.
- Note 3.** Devices are ESD sensitive. Handling precaution is recommended.
- Note 4.** The device is not guaranteed to function outside its operating conditions.
- Note 5.**  $V_{OUT(TARGET)}$  is the expected  $V_{OUT}$  value set by the external feedback resistors. The  $50\Omega$  load is disconnected when the test conditions specify an  $I_{OUT}$  value.
- Note 6.** External resistor tolerance is not taken into account.

Typical Application Circuit



$$V_{OUT} = V_{REF} \times \left(1 + \frac{R1}{R2}\right) = 0.5V \times \left(1 + \frac{12.4k}{12.4k}\right) = 1V$$

Figure 1. Configuration Circuit for V<sub>OUT</sub> Adjusted by a Resistive Divider

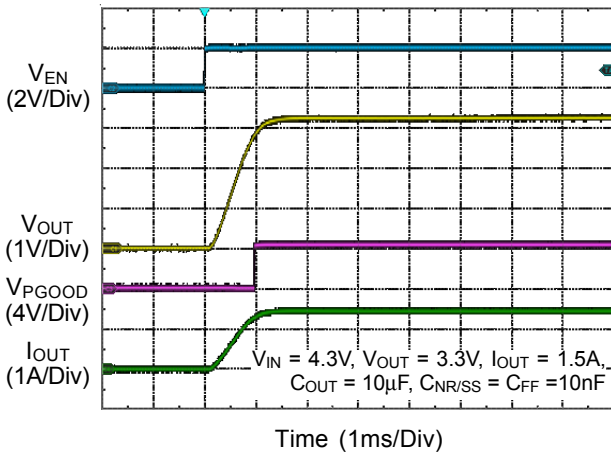
Table 1. Recommended Feedback-Resistor Values

Output Voltage (V)	External Restive Divider Combinations	
	R1 (kΩ)	R2 (kΩ)
0.7	12.4	31
1	12.4	12.4
1.2	12.4	8.86
1.5	12.4	6.2
1.8	12.4	4.77
2.5	12.4	3.1
3.3	12.4	2.21
4.5	12.4	1.55
5	12.4	1.38

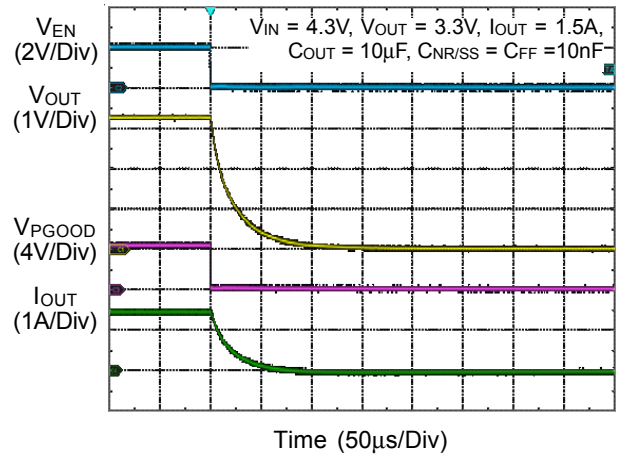


**Typical Operating Characteristics**

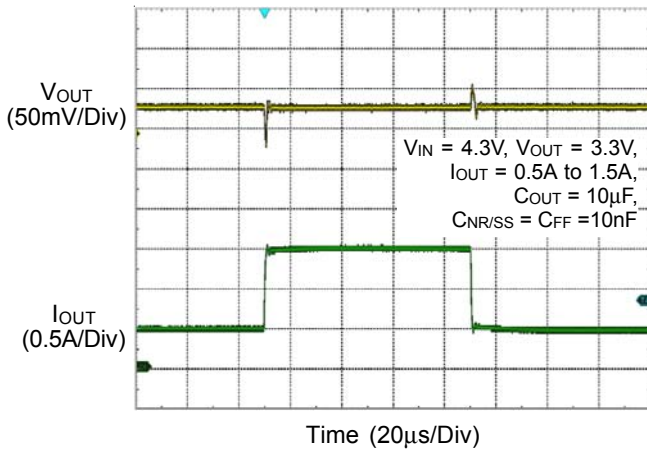
**Power On from EN**



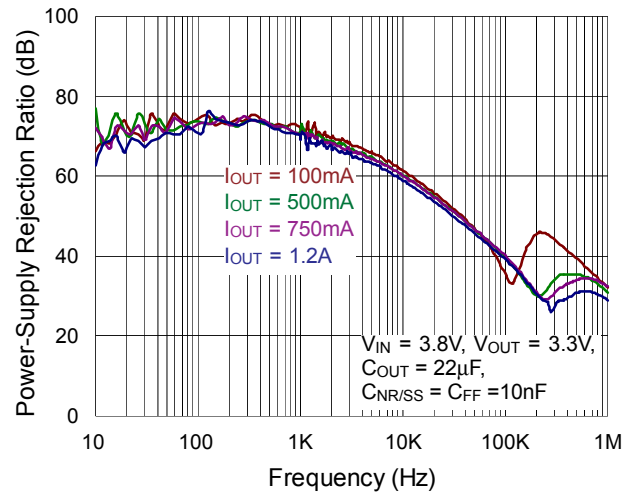
**Power Off from EN**



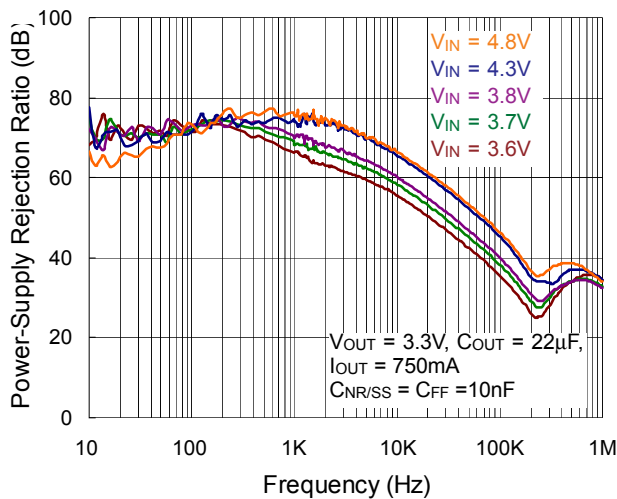
**Load Transient Response**



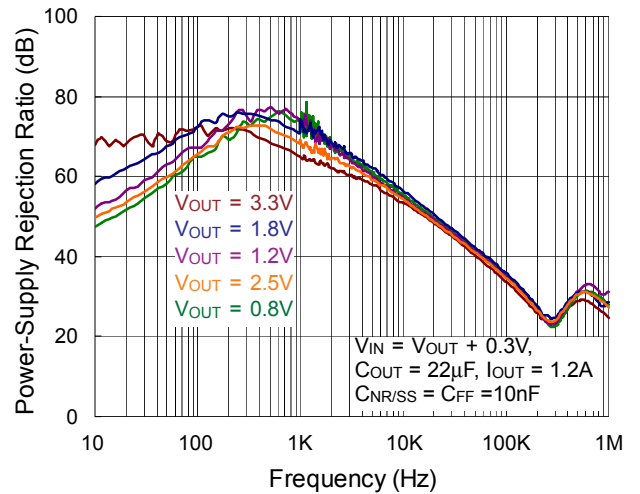
**PSRR vs. Frequency and I\_OUT**

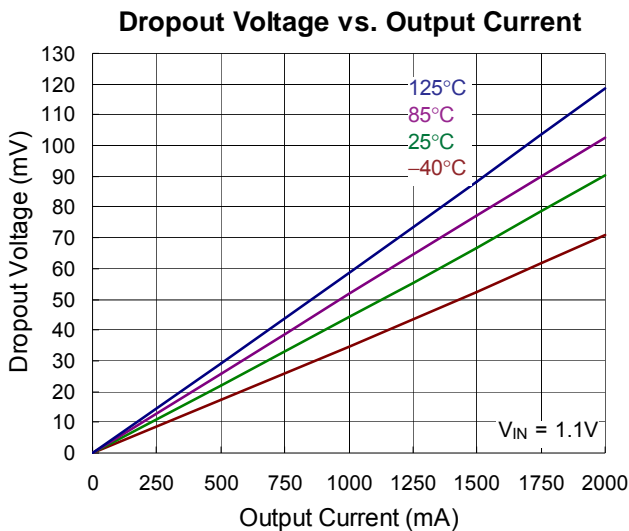
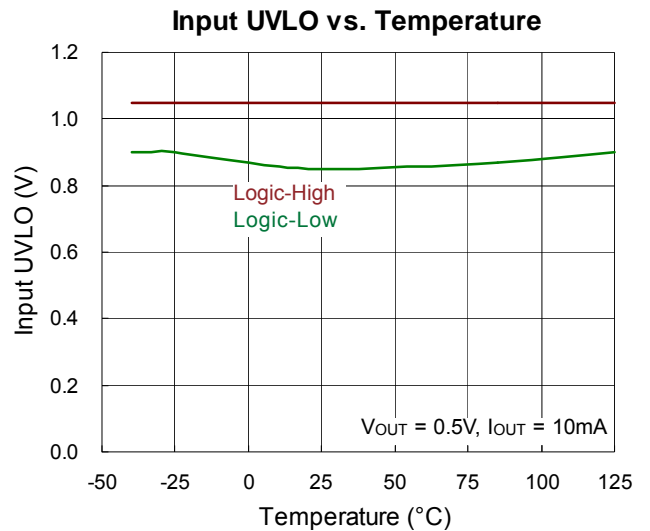
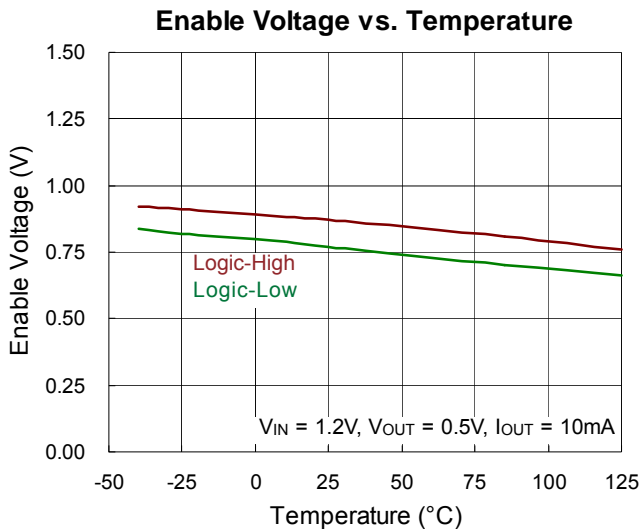
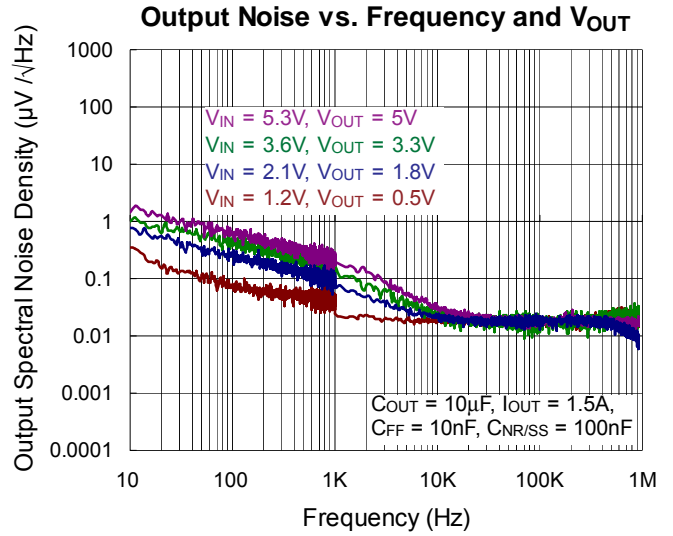
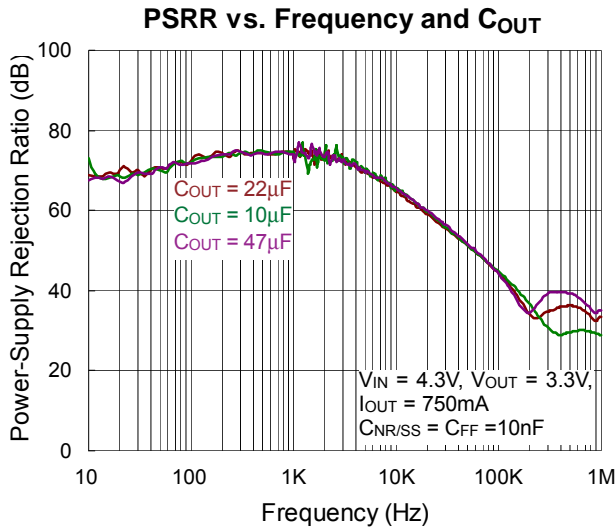


**PSRR vs. Frequency and V\_IN**



**PSRR vs. Frequency and V\_OUT**





## Application Information

The RTQ2520 is a high current, low-noise, high accuracy, low-dropout linear regulator which capable of sourcing 2A with only maximum 125mV dropout. The input voltage operating range from 1.1V to 6.5V and adjustable output voltage from 0.5V to  $(V_{IN} - V_{DROP})$  via external resistor setting and get required output target.

### Output Voltage Setting

The output voltage of the RTQ2520 can be set by external resistors to achieve different output target.

Using external resistors, the output voltage is determined by the values of R1 and R2 as Figure 2. The values of R1 and R2 can be calculated with any voltage value via use the formula given in Equation :

$$V_{OUT} = 0.5V \times \frac{R1 + R2}{R2}$$

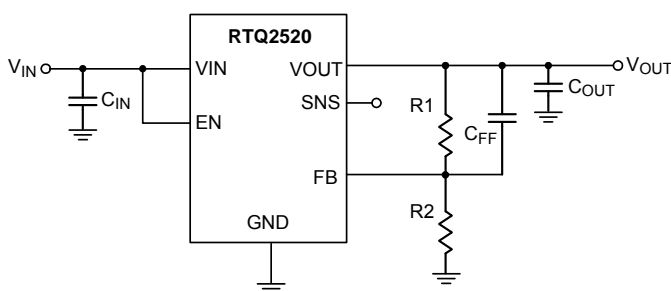


Figure 2. Output Voltage Set by External Resistors

### Dropout Voltage

The dropout voltage refers to the voltage difference between the VIN and VOUT pins while operating at specific output current. The dropout voltage  $V_{DROP}$  also can be expressed as the voltage drop on the pass-FET at specific output current ( $I_{RATED}$ ) while the pass-FET is fully operating at ohmic region and the pass-FET can be characterized as an resistance  $R_{DS(ON)}$ . Thus the dropout voltage can be defined as  $(V_{DROP} = V_{IN} - V_{OUT} = R_{DS(ON)} \times I_{RATED})$ . For normal operation, the suggested LDO operating range is  $(V_{IN} > V_{OUT} + V_{DROP})$  for good transient response and PSRR ability. Vice versa, while operating at the ohmic region will degrade the performance severely.

### C<sub>IN</sub> and C<sub>OUT</sub> Selection

The RTQ2520 is designed to support the low equivalent series resistance (ESR) ceramic capacitors for application. The X7R, X5R, and COG-rated ceramic capacitors is

recommended due to its good capacitive stability across temperature, whereas the use of Y5V-rated capacitors is discouraged because of large variations in capacitance.

However, ceramic capacitance varies with operating voltage and temperature and the design engineer must be aware of these characteristics. It is recommended to use capacitors of 22μF or greater (10μF or greater of effective capacitance ) to ensure stability. Input capacitance is selected to minimize transient input droop during load current steps. For general applications, an input capacitor of at least 22μF is highly recommended for minimal input impedance. If the trace inductance between the RTQ2520 input supply is high, a fast load transient any cause VIN voltage level ringing and above the absolute maximum voltage rating that also damage the device. Adding more input capacitors is available to restrict the ringing and to keep it not above the device absolute maximum ratings.

### Feed-Forward Capacitor (C<sub>FF</sub>)

The RTQ2520 is designed to be stable without the external feed-forward capacitor (C<sub>FF</sub>). However, a 10nF external feed-forward capacitor optimizes the transient, noise, and PSRR performance. A higher capacitance C<sub>FF</sub> can be also used, but the start-up time is longer and the power-good signal can incorrectly indicate that the output voltage is settled.

### Soft-Start and Noise Reduction (C<sub>NR/SS</sub>)

The RTQ2520 is designed for a programmable, monotonic soft-start time of output rising, it can be achieved via an external capacitor (C<sub>NR/SS</sub>) on NR/SS pin. Using an external C<sub>NR/SS</sub> is recommended for general application, not only for the in-rush current minimization but also helps reduce the noise component from internal reference.

During the monotonic start-up procedure, the error amplifier of the RTQ2520 tracks the voltage ramp of the external soft-start capacitor(C<sub>NR/SS</sub>) until the voltage approaches the internal reference 0.5V. The soft-start ramp time can be calculated with Equation a1 and which is depends on the soft-start charging current ( $I_{NR/SS}$ ), the soft-start capacitance (C<sub>NR/SS</sub>), and the internal reference 0.5V ( $V_{REF}$ ).

$$t_{SS} = \frac{(V_{REF} \times C_{NR/SS})}{I_{NR/SS}} \quad (a1)$$

For noise-reduction consideration, the  $C_{NR/SS}$  also conjunction with an internal noise-reduction resistor that forms a low-pass filter (LPF) and filters out the noise from the internal bandgap reference before it being gained up via the error amplifier, thus reducing the total device noise floor.

### Input Inrush Current

During start-up process, the input inrush current into  $V_{IN}$  pin is consists of the sum of load current and the charging current of the output capacitor. The inrush current is difficult to measure that the input capacitor must be removed and which is not recommended. Generally, the soft-start inrush current can be estimated by Equation b1, which  $V_{OUT}(t)$  is the instantaneous output voltage of the power-up ramp,  $dV_{OUT}(t) / dt$  is the slope of the  $V_{OUT}$  ramp and  $R_{LOAD}$  is the resistive load impedance.

$$I_{OUT}(t) = \frac{(C_{OUT} \times dV_{OUT}(t))}{dt} + \left( \frac{V_{OUT}(t)}{R_{LOAD}} \right) \quad (b1)$$

### Under-Voltage Lockout (UVLO)

The under-voltage lockout (UVLO) threshold is the minimum input operational voltage range that ensure the device stays disabled. Figure 3 explain the UVLO circuits being triggered between three different input voltage events(duration a, b and c), assuming  $V_{EN} \geq V_{EN,H}$  for all time duration. For duration "a", input power starts rising and  $V_{IN}$  over the UVLO rising threshold, the  $V_{OUT}$  starts power on then reached the target level and under regulated. Duration "b" is assume  $V_{IN}$  occurs instant power line unstable and have droop severely, the  $V_{IN}$  droop level not lower than UVLO falling threshold, the device maintain normal work status,  $V_{OUT}$  still under regulated. The duration "c" is happens  $V_{IN}$  droop level lower than UVLO falling threshold, the control loop of device is disabled and don't have the regulation ability either, the  $V_{OUT}$  droop in the mean time. For general application, instant power line transient with long power trace between  $V_{IN}$  pin may have  $V_{IN}$  level unstable force the device trap into duration c and makes output voltage collapse. In this case, adding

more input capacitance or improving input trace layout on PCB are effectively to make sure input power stabilization.

### Power-Good (PGOOD) Function

The Power-Good function is monitors the voltage level at the feedback pin to indicate the output voltage status is works normal or not, this function enables others devices receive the RTQ2520's Power-Good signal as a logic signal that can be used for the sequence design of the system application. The PGOOD pin is an open-drain structure and an external pull-up resistor connecting to an external supply is necessary. The pulled-up resistor value between 10kΩ to 100kΩ is recommended for proper operation. The lower limit of 10kΩ results from the maximum pulled-down strength of the power-good transistor, and the upper limit of 100kΩ results from the maximum leakage current at the power-good node.

Figure 4 demonstrates some PGOOD scenarios versus the  $V_{IN}$ ,  $V_{EN}$  and protection status. Duration "a" is present the device is under the operation while  $V_{EN}$  is higher than  $V_{EN,H}$  threshold, the output voltage  $V_{OUT}$  start rising(the rising time has related with soft-start capacitor  $C_{NR/SS}$ ), after  $V_{OUT}$  over PGOOD hysteresis threshold, the reflected feedback voltage  $V_{FB}$  exceeds  $V_{PGOOD,HYS}$  threshold, the PGOOD pin is high impedance. The duration "b" indicates some unpredictable operation happens (ex: OTP, OCP or output voltage droop severely caused by very fast load variation). Where the  $V_{FB}$  lower than  $V_{IT\_PGOOD}$  threshold and the  $V_{PGOOD}$  is pulled to GND for the indication that output voltage status is not ready. While duration "c" is assume  $V_{OUT}$  have small droop that not lower than PGOOD falling threshold, the PGOOD pin remain high impedance. After  $V_{EN}$  goes logic low level,  $V_{PGOOD}$  pulled to GND as duration "d" presented.

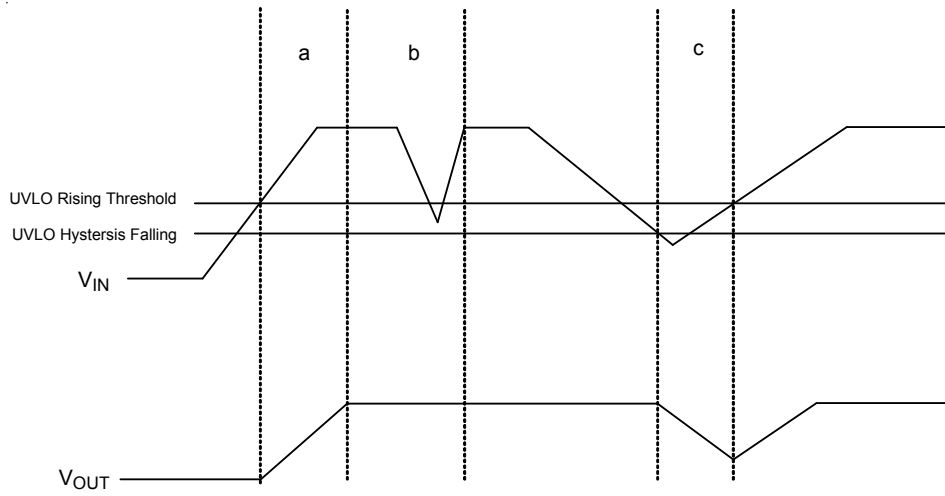


Figure 3. Under-Voltage Lockout Triggering Conditions and Output Variation

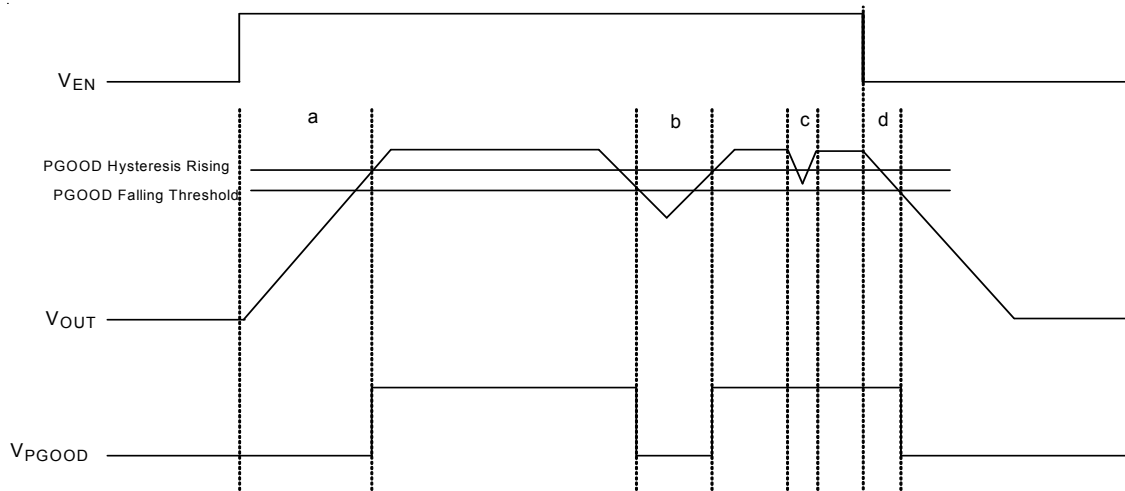


Figure 4. PGOOD Trigger Scenario with Different Operating Status

## Reverse Current Protection

If the maximum  $V_{OUT}$  exceeds  $V_{IN} + 0.3V$ , that may induce reverse current from  $V_{OUT}$  to  $V_{IN}$  that flows through the body diode of pass element instead of the normal conducting channel. In this case, the pass element may be damaged. For example, the output is biased above input supply voltage level or input supply has instant collapse at light load operation that makes  $V_{IN} < V_{OUT}$ . As shown in Figure 5, an external Schottky diode could be added to prevent the pass element be damaged from the reverse current.

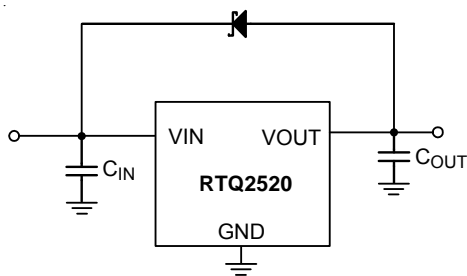


Figure 5. Application Circuit for Reverse Current Protection

## Thermal Considerations

Thermal protection limits power dissipation in the RTQ2520. When power dissipation on pass element ( $P_{DIS} = (V_{IN} - V_{OUT}) \times I_{OUT}$ ) is too much that raise the operation junction temperature exceeds  $160^{\circ}C$ , the OTP circuit starts the thermal shutdown function and turns the pass element off. The pass element turns on again after the junction temperature cools down by  $20^{\circ}C$ . The RTQ2520 output voltage will be closed to zero when output short circuit occurs as shown in Figure 6. It can reduce the chip temperature and provides maximum safety to end users when output short circuit occurs.

The junction temperature should never exceed the absolute maximum junction temperature  $T_{J(MAX)}$ , listed under Absolute Maximum Ratings, to avoid permanent damage to the device. The maximum allowable power dissipation depends on the thermal resistance of the IC package, the PCB layout, the rate of surrounding airflow, and the difference between the junction and ambient temperatures. The maximum power dissipation can be

calculated using the following formula :

$$P_{D(MAX)} = (T_{J(MAX)} - T_A) / \theta_{JA}$$

where  $T_{J(MAX)}$  is the maximum junction temperature,  $T_A$  is the ambient temperature, and  $\theta_{JA}$  is the junction-to-ambient thermal resistance.

For continuous operation, the maximum operating junction temperature indicated under Recommended Operating Conditions is  $125^{\circ}C$ . The junction-to-ambient thermal resistance,  $\theta_{JA}$ , is highly package dependent. For a WDFN-8EL 3x3 package, the thermal resistance,  $\theta_{JA}$ , is  $30.5^{\circ}C/W$  on a standard JEDEC 51-7 high effective-thermal-conductivity four-layer test board. The maximum power dissipation at  $T_A = 25^{\circ}C$  can be calculated as below :

$$P_{D(MAX)} = (125^{\circ}C - 25^{\circ}C) / (30.5^{\circ}C/W) = 3.27W \text{ for a WDFN-8EL 3x3 package.}$$

The maximum power dissipation depends on the operating ambient temperature for the fixed  $T_{J(MAX)}$  and the thermal resistance,  $\theta_{JA}$ . The derating curves in Figure 7 allows the designer to see the effect of rising ambient temperature on the maximum power dissipation.

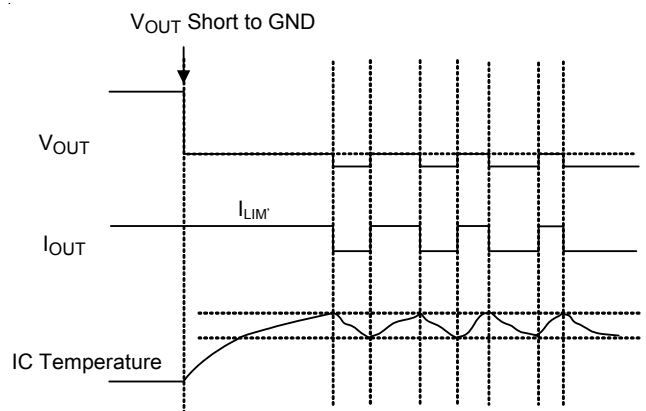


Figure 6. Short-Circuit Protection when Output Short-Circuit Occurs

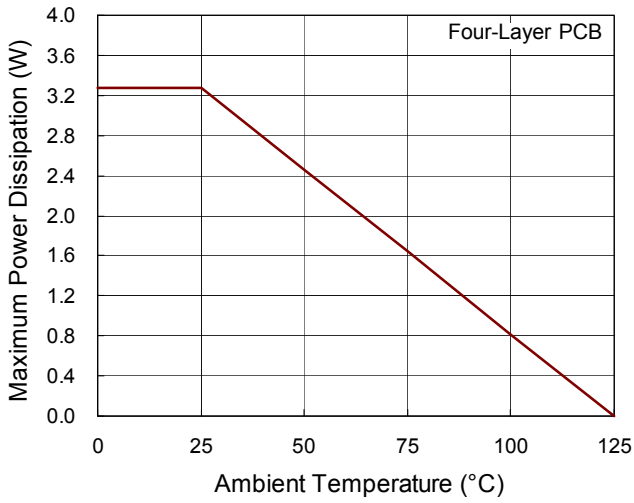
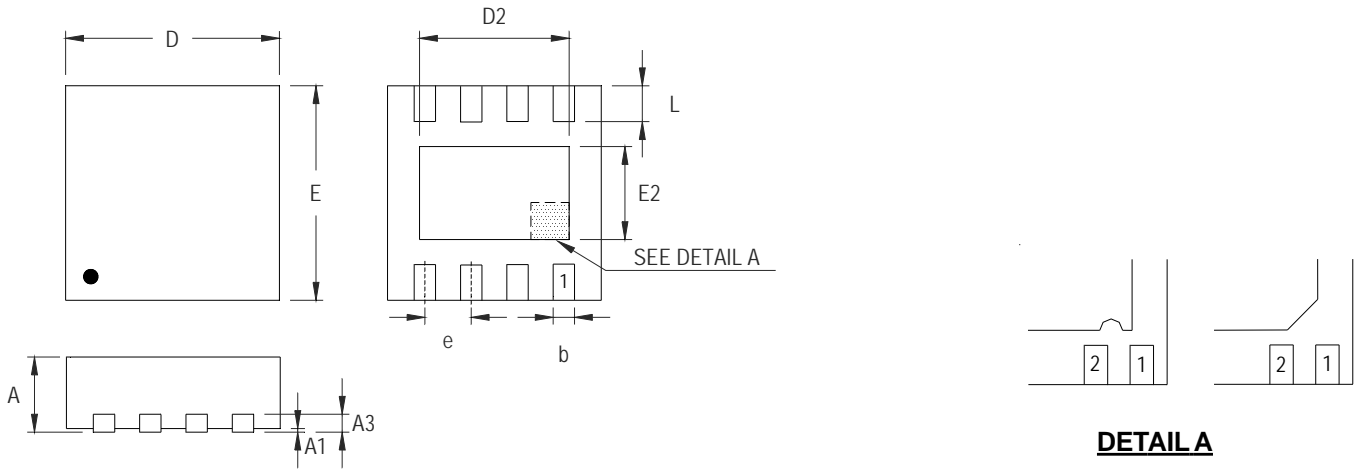


Figure 7. Derating Curve of Maximum Power Dissipation

Outline Dimension



**DETAIL A**

Pin #1 ID and Tie Bar Mark Options

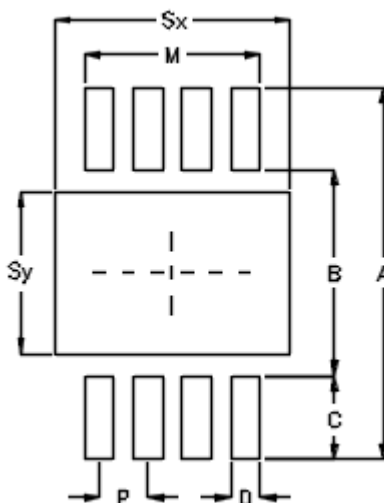
Note : The configuration of the Pin #1 identifier is optional, but must be located within the zone indicated.

Symbol	Dimensions In Millimeters		Dimensions In Inches	
	Min	Max	Min	Max
A	0.700	0.800	0.028	0.031
A1	0.000	0.050	0.000	0.002
A3	0.175	0.250	0.007	0.010
b	0.180	0.300	0.007	0.012
D	2.950	3.050	0.116	0.120
D2	2.200	2.700	0.087	0.106
E	2.950	3.050	0.116	0.120
E2	1.450	1.750	0.057	0.069
e	0.500		0.020	
L	0.350	0.450	0.014	0.018

W-Type 8EL DFN 3x3 Package (0.5mm Lead Pitch)



**Footprint Information**



Package	Number of Pin	Footprint Dimension (mm)								Tolerance
		P	A	B	C	D	Sx	Sy	M	
V/W/U/XDFN3x3-8E	8	0.50	3.80	2.10	0.85	0.30	2.40	1.65	1.80	±0.05

**Richtek Technology Corporation**

14F, No. 8, Tai Yuen 1<sup>st</sup> Street, Chupei City  
 Hsinchu, Taiwan, R.O.C.  
 Tel: (8863)5526789

Richtek products are sold by description only. Richtek reserves the right to change the circuitry and/or specifications without notice at any time. Customers should obtain the latest relevant information and data sheets before placing orders and should verify that such information is current and complete. Richtek cannot assume responsibility for use of any circuitry other than circuitry entirely embodied in a Richtek product. Information furnished by Richtek is believed to be accurate and reliable. However, no responsibility is assumed by Richtek or its subsidiaries for its use; nor for any infringements of patents or other rights of third parties which may result from its use. No license is granted by implication or otherwise under any patent or patent rights of Richtek or its subsidiaries.