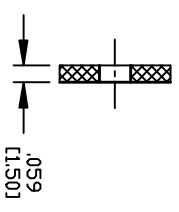
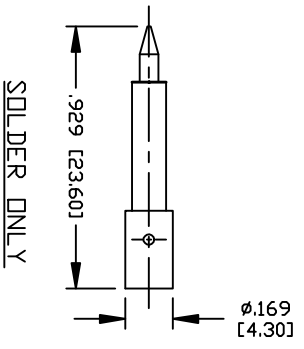
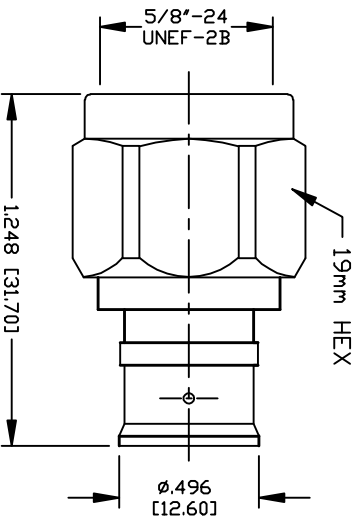


PART NO. **RFN-1002DS-H8**

REV	DESCRIPTION	DWN	DATE	APPROVED
—	ENGINEERING RELEASE		CZS 10/13/20	JDM



SPECIFICATIONS:

INTERFACE: IEC 61169-16
 IMPEDANCE: 50 Ohms
 FREQUENCY RANGE: 0-6 GHz
 RETURN LOSS TYPICAL RESULTS:
 0-3 GHz 30 dB
 3-6 GHz 24 dB
 INSERTION LOSS: -0.1 dB MAX
 3rd ORDER IM <-161 dBc
 3rd ORDER IM TEST METHOD: 2X43 dbm CARRIERS
 TEMPERATURE RANGE: -40°C TO 100°C
 DURABILITY: >500 MATING CYCLES
 MATING TORQUE: 1.7 Nm
 COMPLIANCE/CERTIFICATIONS: RoHS / IP68 MATED
 NET WEIGHT: 0.07 lb

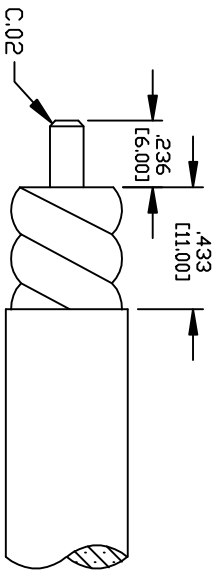
USED ON: FSJ2-50, LCF38-50U, LDF2-50, SCF38-50U, SPP-375, SPO-375 & SPP-375 CABLE

#	DESCRIPTION	QTY	MATERIAL	FINISH
8	SHRINK TUBE	1	Polyolefin	Black
7	SHELL	1	Brass	CuSnZn Alloy
6	RETAINING RING	1	Brass	CuSnZn Alloy
5	GASKET	1	Silicone	Red
4	SPACER	1	PTFE	Natural
3	PIN	1	Brass	Silver
2	INSULATOR	1	PTFE	Natural
1	BODY	1	Brass	CuSnZn Alloy

CUSTOMER OUTLINE DRAWING
 ALL DIMENSIONS ARE REFERENCE ONLY
 UNLESS OTHERWISE SPECIFIED: DIMENSIONS ARE IN INCHES AND [MILLIMETERS]

BY D. BRENNAN
 C. ZUNIGA
 06/06/20

PROPRIETARY AND CONFIDENTIAL
 THIS DRAWING CONTAINS INFORMATION PROPRIETARY TO RF INDUSTRIES. ANY UNAUTHORIZED USE OF THIS DRAWING IS EXPRESSLY PROHIBITED WITHOUT WRITTEN PERMISSION FROM RF INDUSTRIES. ANY VIOLATION IS PUNISHABLE UNDER U.S. COPYRIGHT LAWS.



RECOMMENDED STRIPPING DIMENSIONS

RF Industries
 DIVISION OF RF INDUSTRIES, LTD. (858) 549-6345 FAX

N PLUG, SOLDER
 FOR 3/8" SUPERFLEX CABLE

RFINDUSTRIES.COM
 7610 MIRAMAR RD.
 SAN DIEGO, CA 92126
 (858) 549-6340

CABLE GROUP DWG # **RFN-1002DS-H8** REVISION —
 H8
 FORMAT A SCALE NTS CONTROL # 000000 SHEET 1 OF 1