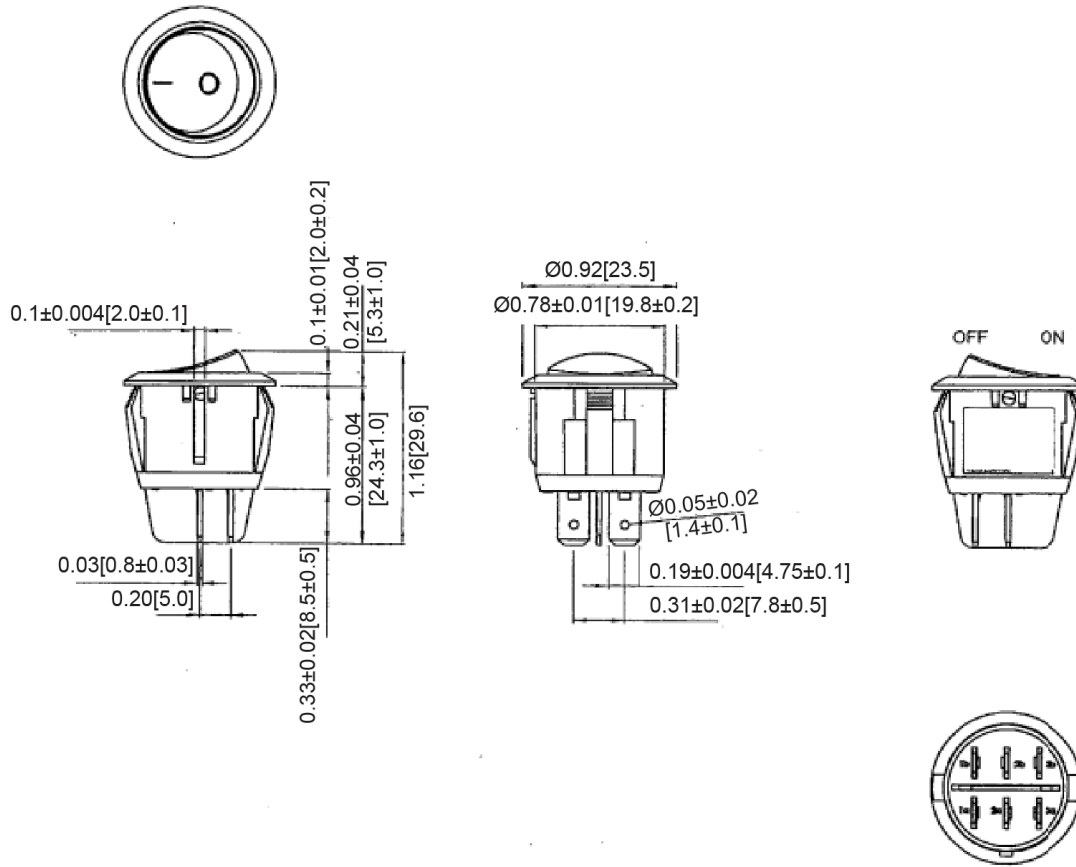
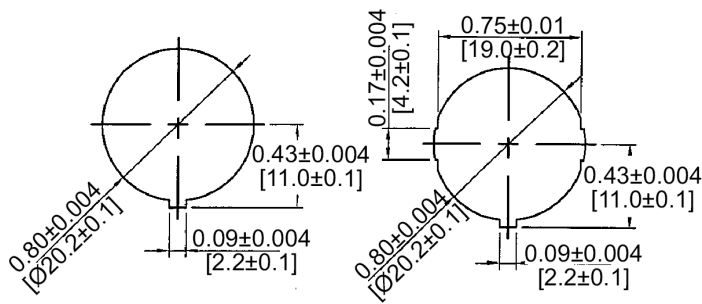


## Mechanical Dimensions: Inches [mm]

Tolerances  $\pm 0.012$  [0.3] Unless Otherwise Specified



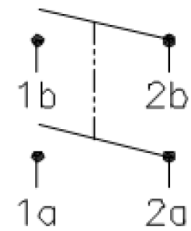
## Mounting Hole



Thickness:  $0.1 \sim 0.12$  [2.0  $\sim$  3.0] |  $0.03 \sim 0.12$  [0.7  $\sim$  3.0]

## Circuit Diagram

4P DPST OFF-ON



## Electrical Specifications

DC Rating	10A 28V DC	
AC Rating	16A 125V AC, 10A 250V AC 10(A) 125/250V AC	
Contact Resistance	50m ohm Max	
Insulation Resistance	DC 500V 100M ohm Min	
Dielectric Strength	AC 1500V 1 minute	

## Material Specifications

Frame	Black, Nylon#66 (94-V2)
Actuator	Black, Nylon#66 (94-V2)
Operation Temperature	-25°C ~ 85°C

Rev	Date of issue	Revision Notes	Designed	Approved
B	06-08-2021	Initial Drawing	RC	OF