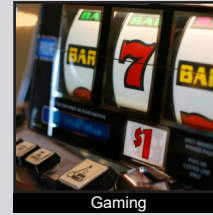


# PP2 SERIES DETECTOR SWITCH

ANTI-VANDAL SWITCHES  
 DETECTOR SWITCHES  
 DIP SWITCHES  
 KEYLOCK SWITCHES  
 NAVIGATION SWITCHES  
 PUSHBUTTON SWITCHES  
 ROCKER SWITCHES  
 ROTARY SWITCHES  
 SLIDE SWITCHES  
 SNAP ACTION SWITCHES  
 TACTILE SWITCHES  
 TOGGLE SWITCHES  
 CAP OPTIONS



## APPLICATIONS / MARKETS



## SPECIFICATIONS

**Electrical Rating:**  
**Rating Option 1:** 10R (4)A 277VAC 5E4  
**Rating Option 7:** 16A 125VAC [cURus]; 12A 250VAC [cURus]; 1HP 125/250VAC [cURus]  
**Electrical Life:** 6,000 Cycles  
**Mechanical Life:** 50,000 Cycles  
**Contact Resistance:** 10mΩ Max.  
**Insulation Resistance:** 10MΩ Min.  
**Operating Temperature** 0°C to 85°C  
**Panel Cutout:** 13.5mm x 36mm  
**Ingress Protection:** IP40  
**Function:** DPDT, On-(On) or On<sub>1</sub>-On<sub>2</sub>-(On<sub>2</sub>)

## FEATURES & BENEFITS

- Push-pull or momentary functions
- Various actuator and terminal options
- High ratings with UL approvals
- Acts as door interlock switch
- IP40 ingress protection

## PART NUMBER CONFIGURATOR

Series	Terminal Type	Function	Contact Rating	Body Color	Actuator Height	Actuator Color
PP2	1 - 4.8mm x 0.8mm Tabs, Vertical 4 - 6.3mm x 0.8mm Tabs, Vertical **** 7 - 4.8mm x 0.5mm Tabs, Angled	H - On-(On)* U - On <sub>1</sub> -On <sub>2</sub> -(On <sub>2</sub> )*	1 - 10R(4)A 277VAC 5E4 7 - 16A 125VAC 12A 250VAC 1HP 125/250VAC	1 - Black 2 - White	** A - Straight *** B - Push-Pull **** C - Push-Pull ** D - Short	2 - White

\* ( ) Denotes momentary function  
 \*\* Available with "H" function only  
 \*\*\* Available with "U" function only  
 \*\*\*\* Available only with Contact Rating option "1"

Specifications subject to change without notice 1.7.2020



E-SWITCH®

www.e-switch.com

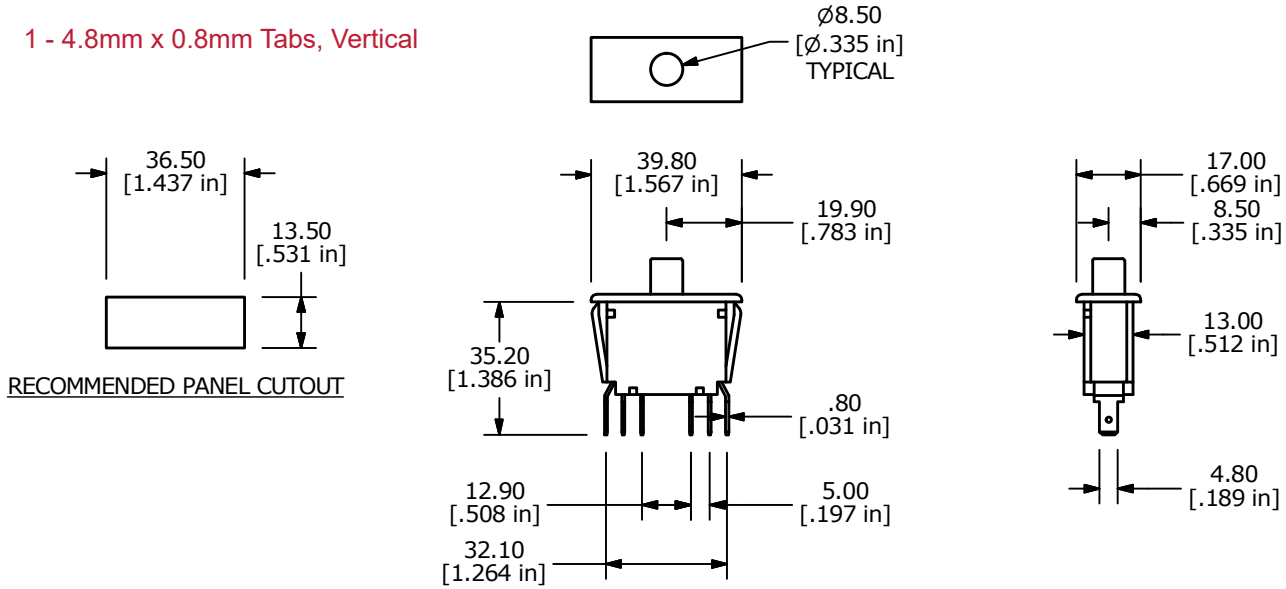
800.867.2717

1

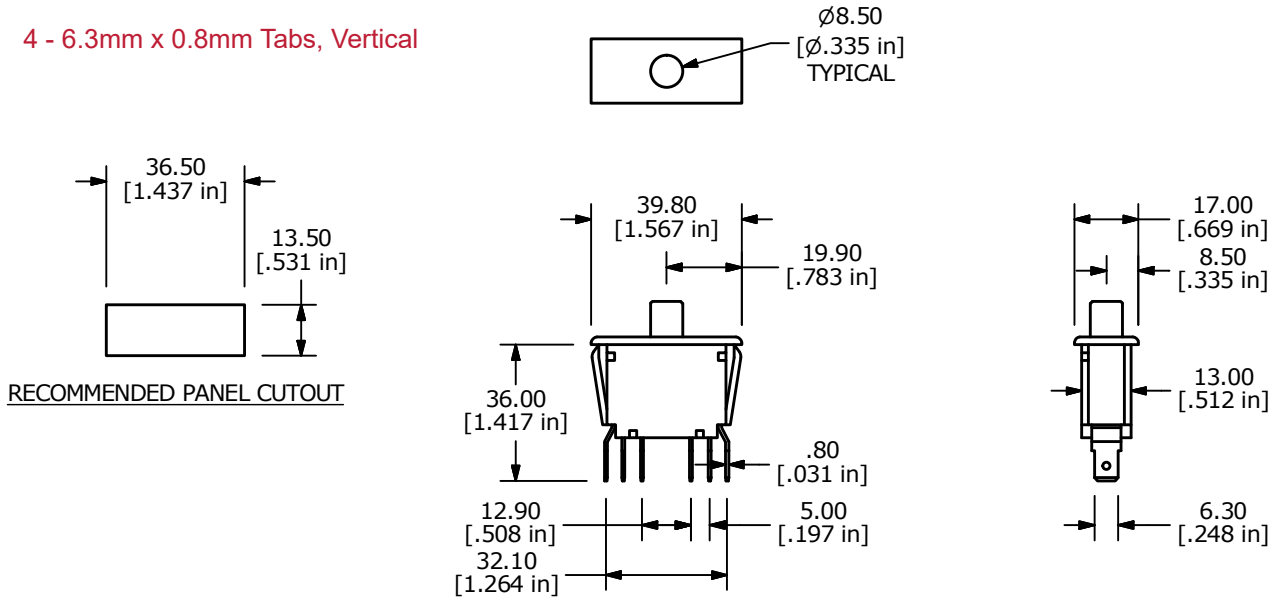
# PP2 SERIES DETECTOR SWITCH

## TERMINAL OPTIONS

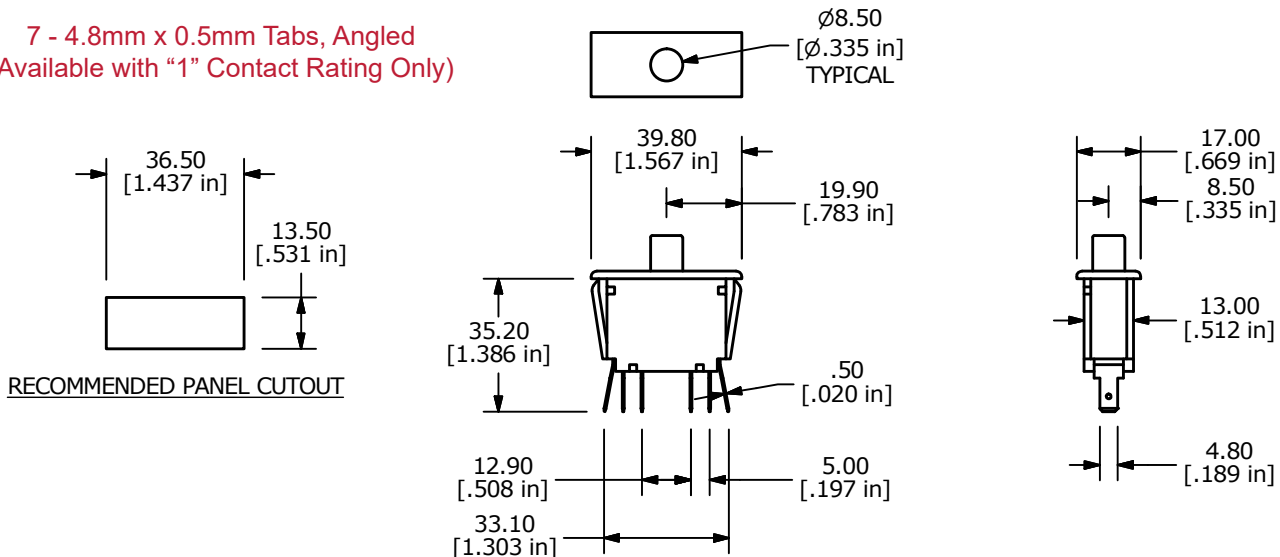
### 1 - 4.8mm x 0.8mm Tabs, Vertical



### 4 - 6.3mm x 0.8mm Tabs, Vertical



### 7 - 4.8mm x 0.5mm Tabs, Angled (Available with "1" Contact Rating Only)



ANTI-VANDAL SWITCHES  
 DETECTOR SWITCHES  
 DIP SWITCHES  
 KEYLOCK SWITCHES  
 NAVIGATION SWITCHES  
 PUSHBUTTON SWITCHES  
 ROCKER SWITCHES  
 ROTARY SWITCHES  
 SLIDE SWITCHES  
 SNAP ACTION SWITCHES  
 TACTILE SWITCHES  
 TOGGLE SWITCHES  
 CAP OPTIONS

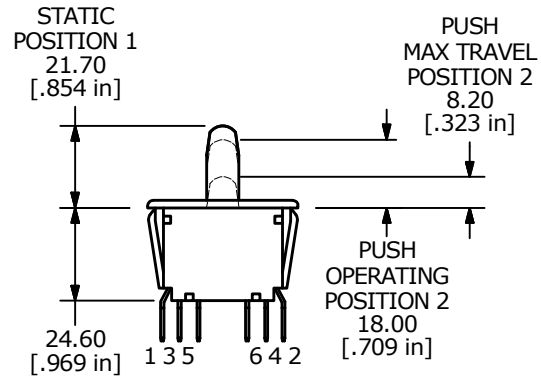
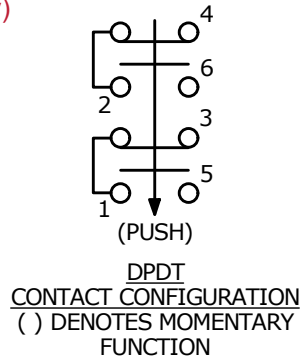
# PP2 SERIES DETECTOR SWITCH

## ACUATOR OPTIONS

**A - Straight**  
(Available with "H" Function Only)

SWITCH FUNCTION	
POS. 1	POS. 2
ON	(ON)
1-3, 2-4	1-5, 2-6

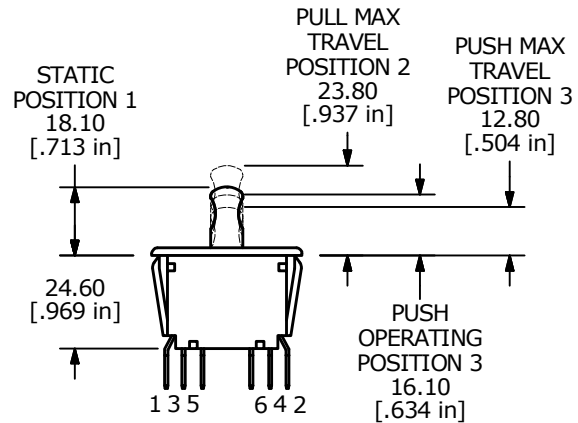
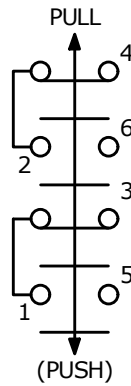
(ON)=MOMENTARY



**B - Push-Pull**  
(Available with "U" Function Only)

SWITCH FUNCTION		
POS. 1	POS. 2	POS. 3
ON	ON	(ON)
1-3, 2-4	1-5, 2-6	1-5, 2-6

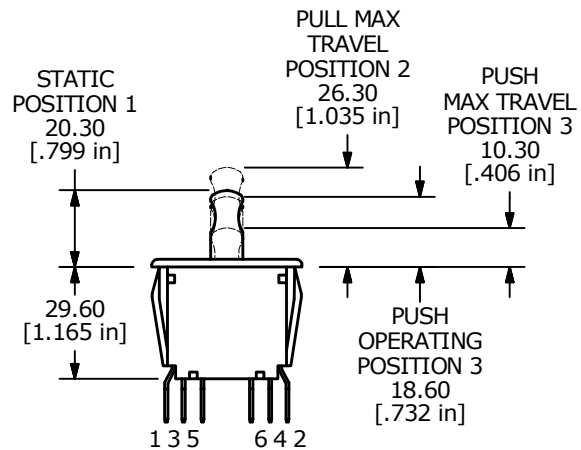
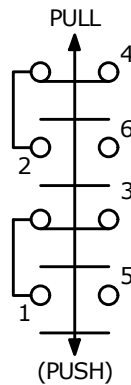
(ON)=MOMENTARY



**C - Push-Pull**  
(Available with "U" Function Only)

SWITCH FUNCTION		
POS. 1	POS. 2	POS. 3
ON	ON	(ON)
1-3, 2-4	1-5, 2-6	1-5, 2-6

(ON)=MOMENTARY



**D - Short**  
(Available with "H" Function Only)

SWITCH FUNCTION	
POS. 1	POS. 2
ON	(ON)
1-3, 2-4	1-5, 2-6

(ON)=MOMENTARY

