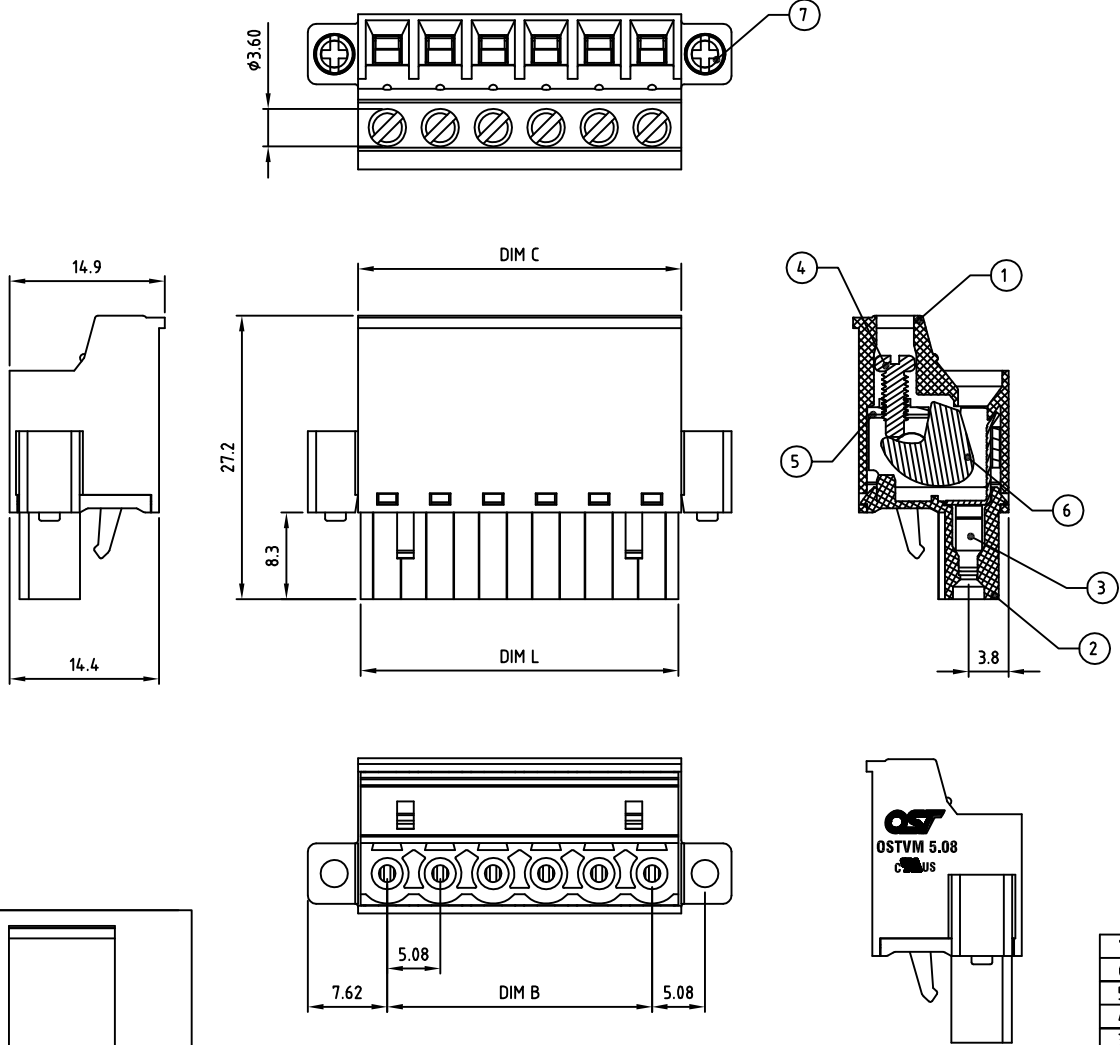


Transfer or duplication of this document as well as the utilisation or communication of its content are not permitted unless express consent is granted. Violations give rise to claims for damages. All rights reserved in case of patent, utility model or design patent registrations.



Technical data

- 1.Nominal voltage: 300V/15A
PITCH:5.08mm
- 2.Connection capacity:
AWG 22-12
- 3.Insulation Withstanding Voltage:
AC 1600V/MIN
- 4.Insulation Resistance:
1000MΩ or more at DC500V
- 5.Tightening torque:
4.3 Lb-in (0.5N.m/5.0kgf.cm)
- 6.Screw thread: M2.5
- 7.Stripping length: 8-9mm
- 8.Operating temperature range:-40°C ~ 115°C
- 9.Undimensioned Tolerances:

Dim.L=Px5.08		
Dim.B=(P-1)x5.08		
Dim.C=Px5.08+0.5		
P= number of poles		
0-30mm	Dim B	Dim L
over 30mm-60mm	±0.15	±0.20
over 60mm-90mm	±0.20	±0.25
over 90mm	±0.25	±0.30
	±0.30	±0.40

Part No:

OSTVMXX5552

10.Safety approval:

11.RoHS Compliance

- No. of Poles
- 02 2 Poles
 - 03 3 Poles
 -
 - 24 24 Poles

- COLOR
- 0: Black
 - 2: Red
 - 3: Orange
 - 4: Yellow
 - 5: Green (Standard)
 - 6: Blue
 - 8: Grey

Nonstandard colors
Mins could apply

ITEM	NAME OF PART	MATERIAL	NOTES	Q"TY		
7	FLANGE SCREW	STEEL	M2.5x0.45, Zn PLATED	2		
6	PRESS BLOCK	STEEL	Zn PLATED	P		
5	CAGE	STEEL	M2.5x0.45, Zn Plated	P		
4	SCREW	STEEL	M2.5x0.45, Zn Plated	P		
3	WIRE GUARD	BRONZE (PhBz)	TIN PLATED	P		
2	COVER	PA66 UL94V-0	ALL COLOR	1		
1	BODY	PA66 UL94V-0	ALL COLOR	1		
DWG	WF. Zhang	DATE	2017.11.21	UNITS: MM	SHEET: 1 OF 1	Tolerance
CHK.	WF. Zhang	DATE	2018.04.16	SCALE: NONE 2:1 (:)	REV: A	X. ±0.50
APP.		DATE		TITLE: OSTVM 5.08 Series "-" slot		X.XX ±0.30
				PART NO. OSTVMXX5552		X* ±1.0
				DWG NO. OSTVMXX5552.dwg		X* ±1°

SIGN	DESCRIPTION	CHK.	DATE



ON-SHORE TECHNOLOGY, INC.