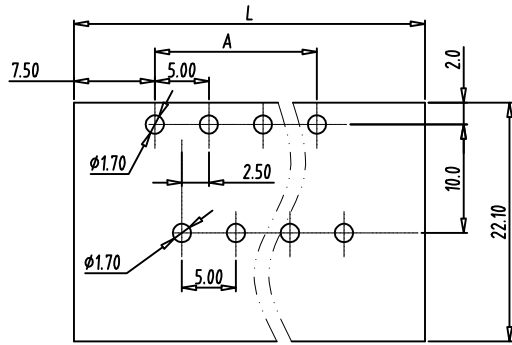
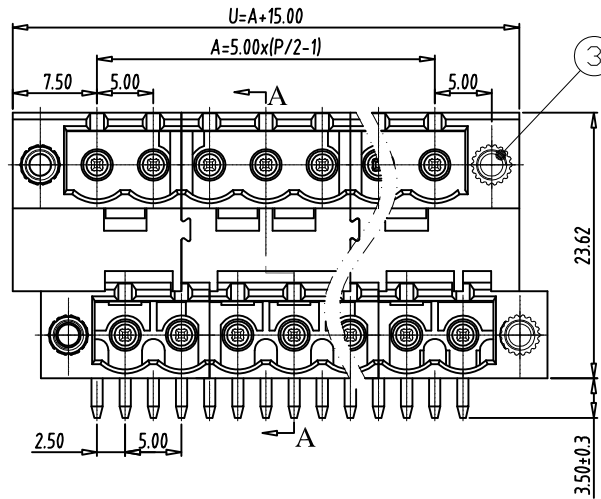
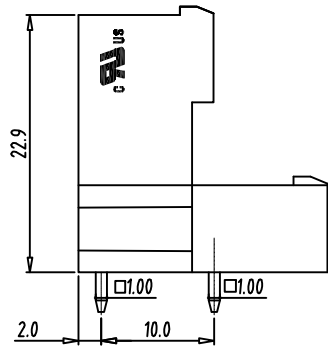
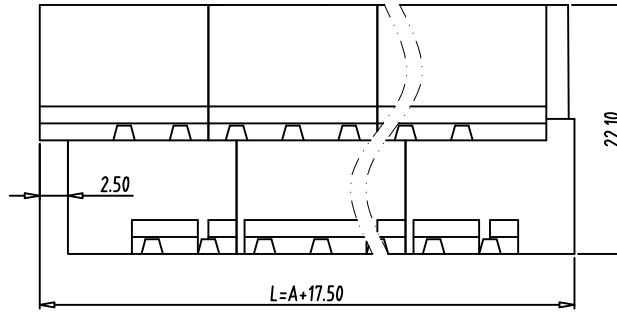


Transfer or duplication of this document as well as the utilisation or communication of its content are not permitted unless express consent is granted. Violations give rise to claims for damages. All rights reserved in case of patent, utility model or design patent registrations.



PCB LAYOUT



Technical data

1. Nominal voltage: 300V/16A
PITCH: 5.0mm
2. Insulation Withstanding Voltage:
AC 2000V/MIN
3. Insulation Resistance:
500M Ω or more at DC500V
4. Operating temperature range: -40°C ~ 115°C
5. Soldering temperature range: 250°C/5sec
6. Safety approval:
7. RoHS Compliance

Part No.: **OSTVFX7251**

<p>No. of Poles</p> <p>04 4 Poles</p> <p>... ..</p> <p>48 48 Poles</p>	<p>COLOR</p> <p>0: Black</p> <p>2: Red</p> <p>3: Orange</p> <p>4: Yellow</p> <p>5: Green (Standard)</p> <p>6: Blue</p> <p>8: Grey</p>
--	---

Nonstandard colors
Mins could apply

3	NUT	BRASS					
2	PIN	COPPER				TIN PLATED	
1	BODY	PA66 UL94V-0				ALL COLOR	
ITEM	NAME OF PART	MATERIAL			NOTES		
DWG	Marvin Zhang	DATE	2019.01.15	UNITS:	MM	SHEET:	1 OF 1
CHK.	Marvin Zhang	DATE	2019.01.15	SCALE:	NONE 4:1 (:)	REV:	A
APP.		DATE		TITLE:	OSTVF Series 5.0 MM		
					W/F Right Angle		
				PART NO.	OSTVFX7251		
				DWG NO.	OSTVFX7251.dwg		

B					
REV	SIGN	DESCRIPTION	CHK.	DATE	



ON-SHORE TECHNOLOGY, INC.