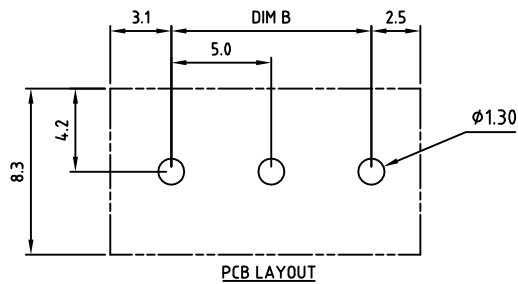
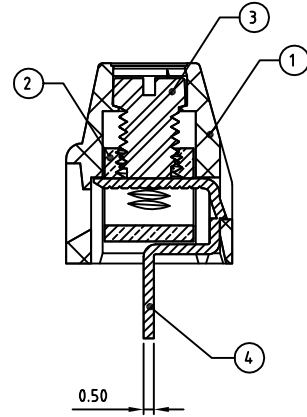
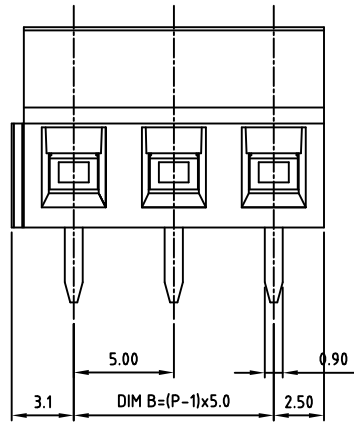
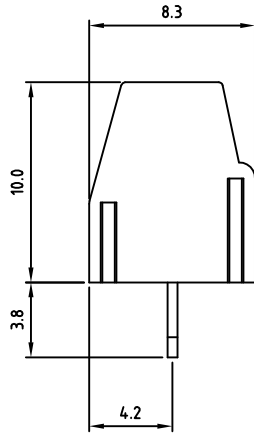
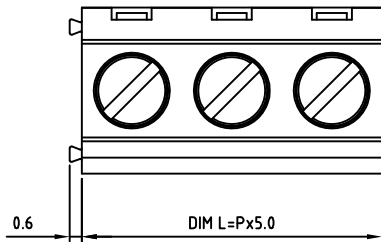


Transfer or duplication of this document as well as the utilisation or communication of its content are not permitted unless express consent is granted. Violations give rise to claims for damages. All rights reserved in case of patent, utility model or design patent registrations.



Technical data

1. Nominal voltage: 300V/10A
PITCH: 5.0mm
2. Connection capacity:
AWG 22-16
3. Insulation Withstanding Voltage:
AC 1600V/MIN
4. Insulation Resistance:
1000M Ω or more at DC500V
5. Tightening torque:
4.0kgf.cm (0.4N.m)
6. Screw thread: M3
7. Stripping length: 5-6mm
8. Operating temperature range: -40°C ~ 115°C
Soldering temperature: 250 \pm 10°C/5s
9. Undimensioned Tolerances:

Dim.L=Px5.0		
Dim.B=(P-1)x5.0		
P= number of poles (2p-2p)		
0-30mm	± 0.15	± 0.20
over 30mm-60mm	± 0.20	± 0.25
over 60mm-90mm	± 0.25	± 0.30
over 90mm	± 0.30	± 0.40

10. Safety approval:
11. RoHS Compliance

Part No.: **OSTTOXX0152**

No. of Poles	COLOR
02 2 Poles	0: Black
03 3 Poles	2: Red
...	3: Orange
24 24 Poles	4: Yellow
	5: Green (Standard)
	6: Blue
	8: Grey

Nonstandard colors
Mins could apply

4	CAGE	BRASS	Tin PLATED	P
3	SCREW	STEEL	M3x0.5, Zn Plated	P
2	CAGE	BRASS	M3x0.5, Ni PLATED	P
1	BODY	PA66 UL94V-0	ALL COLOR	1
ITEM	NAME OF PART	MATERIAL	NOTES	Q'TY
DWG.	WF. Zhang	DATE	2015.04.05	UNITS: MM SHEET: 1 OF 1 Tolerance
CHK.		DATE		SCALE: NONE 2.5:1 (:) REV.: A X. ± 0.50 X.X ± 0.30 X.XX ± 0.10 X* $\pm 1^{\circ}$
APP.		DATE		TITLE: OSTTO SERIES 5.00mm 2-INTERLOCK
				PART NO. OSTTOXX0152
				DWG NO. OSTTOXX0152.dwg

	SIGN	DESCRIPTION	CHK.	DATE
--	------	-------------	------	------



ON-SHORE TECHNOLOGY, INC.