

# ST1 SERIES TOGGLE SWITCH

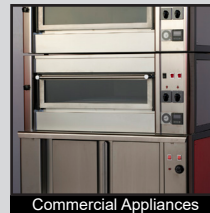
- ANTI-VANDAL SWITCHES
- DETECTOR SWITCHES
- DIP SWITCHES
- KEYLOCK SWITCHES
- NAVIGATION SWITCHES
- PUSHBUTTON SWITCHES
- ROCKER SWITCHES
- ROTARY SWITCHES
- SLIDE SWITCHES
- SNAP ACTION SWITCHES
- TACTILE SWITCHES
- TOGGLE SWITCHES**
- CAP OPTIONS



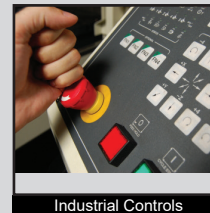
## APPLICATIONS / MARKETS



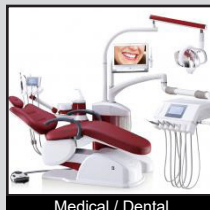
Floor Care Appliances



Commercial Appliances



Industrial Controls



Medical / Dental



HVAC



Vending Machines

# RoHS

## SPECIFICATIONS

**Rating:** Maintained Switches: 20A 125VAC [cULus]  
 15A 277VAC [cULus]  
 2.0HP 125-277VAC [cULus]  
 Momentary Switches: 20A 125VAC [cULus]  
 15A 277VAC [cULus]  
 1.5HP 125-277VAC [cULus]

**Electrical Life:** 6,000 cycles  
**Contact Resistance:** 50mΩ Max.  
**Insulation Resistance:** 2MΩ Min. at 500VDC for 1 Minute  
**Dielectric Strength:** 1,000VAC for 1 Minute  
**Operating Temperature:** 0°C to 85°C  
**Storage Temperature:** -20°C to 85°C  
**Mounting Nut Torque:** 0.6Nm~1.0Nm

## FEATURES & BENEFITS

- Heavy duty rating with UL approvals
- Many functions available
- Tab, screw, and solder terminal options
- Soldered wire leads (500mm long) optional

## PART NUMBER CONFIGURATOR

### Series

ST1 - 1 Pole

### Terminal

1 - 4.8mm Tabs  
 2 - Solder  
 4 - 6.3mm Tabs  
 6 - Screw  
 W - Wire Leads  
 500mm long

### Function

1 - 1 Pole Off - On  
 3 - 1 Pole On - On  
 4 - 1 Pole Off - (On)  
 Middle - End  
 5 - 1 Pole  
 On - Off - On  
 C - 1 Pole  
 On - Off - (On)  
 D - 1 Pole  
 (On) - Off - (On)

### Rating

D - 20A 125VAC

### Actuator Type

0 - Standard Bat  
 1 - Short Bat

### Bushing Type

0 - M12 x 1.0  
 2 - 15/32" - 32UNS

### NOTES:

( ) = Denotes function is momentary

Specifications subject to change without notice 2.16.2022



**E-SWITCH®**

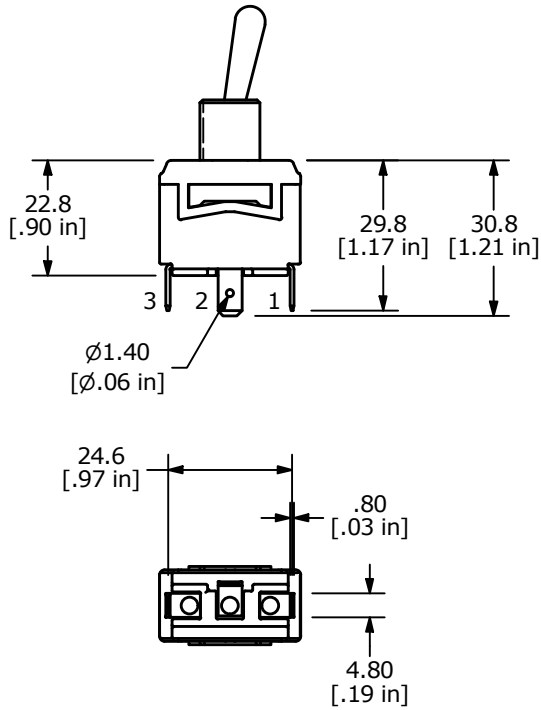
www.e-switch.com

800.867.2717

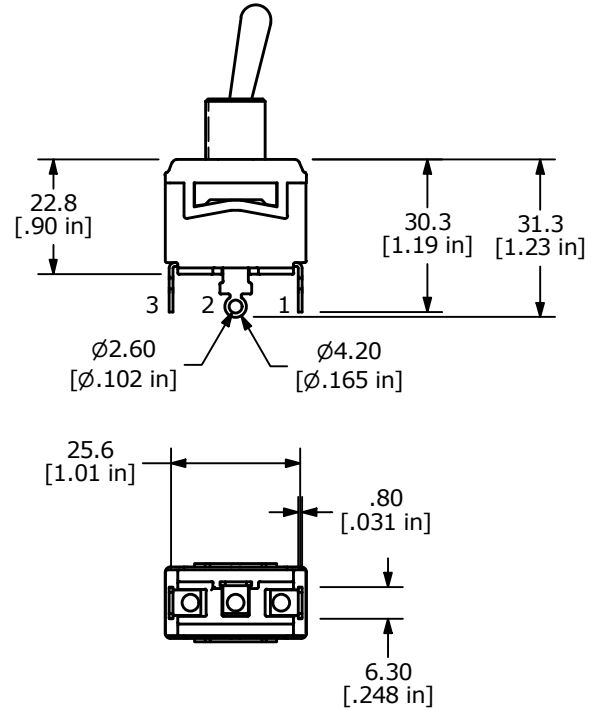
1

# ST1 SERIES TOGGLE SWITCH

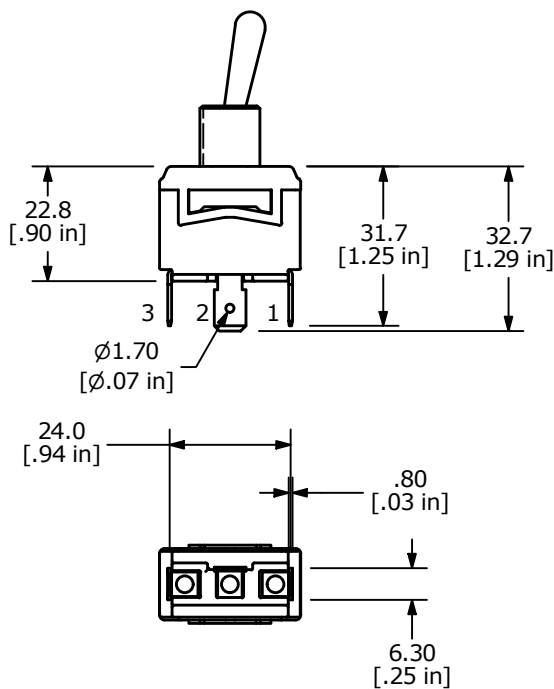
## TERMINAL OPTIONS



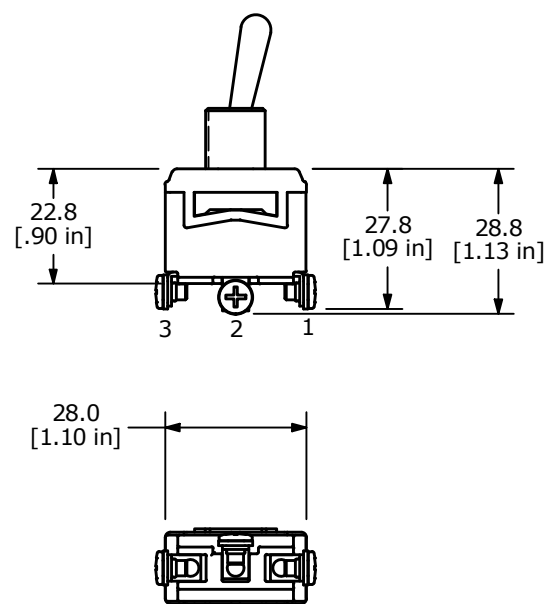
1 = 4.8mm TABS



2 = SOLDER



4 = 6.3mm TABS



6 = SCREW

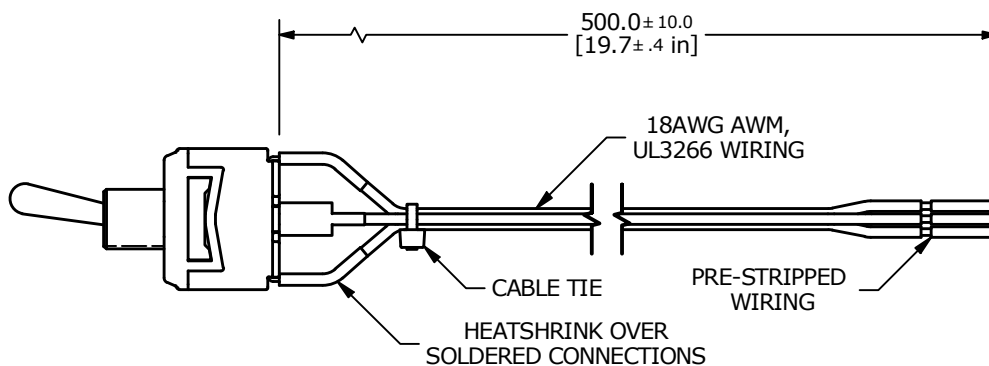


# ST1 SERIES TOGGLE SWITCH

## TERMINAL OPTIONS (CONTINUED)

SWITCH	WIRE	LENGTH
SW1-1	WIRE, 18AWG AWM UL3266, GREEN	500.0 [19.7 in]
SW1-2	WIRE, 18AWG AWM UL3266, PINK	500.0 [19.7 in]
SW1-3	WIRE, 18AWG AWM UL3266, YELLOW	500.0 [19.7 in]

\*\* WIRE LEADS PROVIDED ARE DEPENDANT ON THE FUNCTION SELECTED \*\*



W = WIRED LEADS 500mm

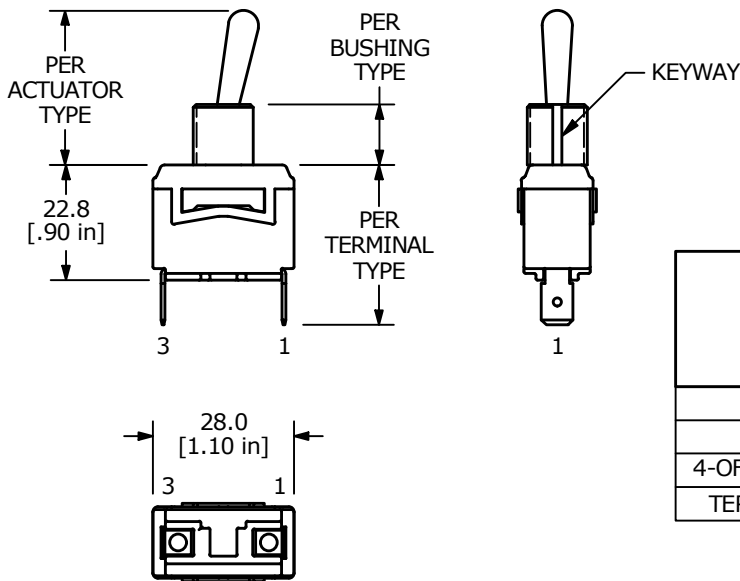
- ANTI-VANDAL SWITCHES
- DETECTOR SWITCHES
- DIP SWITCHES
- KEYLOCK SWITCHES
- NAVIGATION SWITCHES
- PUSHBUTTON SWITCHES
- ROCKER SWITCHES
- ROTARY SWITCHES
- SLIDE SWITCHES
- SNAP ACTION SWITCHES
- TACTILE SWITCHES
- TOGGLE SWITCHES**
- CAP OPTIONS






# ST1 SERIES TOGGLE SWITCH

## FUNCTION OPTIONS

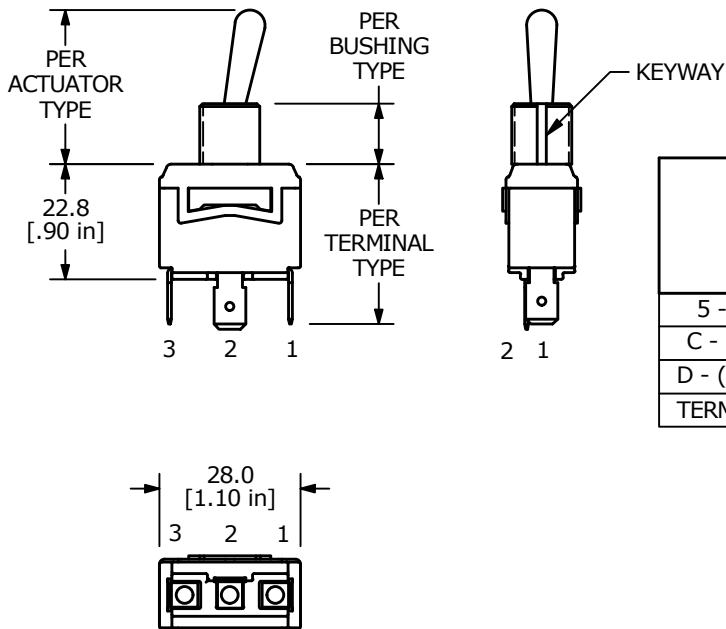
### FUNCTIONS: 1, 3, & 4






FUNCTION	POS. 1 	POS. 2 	POS. 3 
1 - OFF - ON	OFF	N/A	ON
3 - ON - ON	ON	NA	ON
4-OFF-(ON)MIDDLE-END	(ON)	OFF	N/A
TERMINAL CLOSURES	1-3	N/A	1-3

( ) = DENOTES MOMENTARY

### FUNCTIONS: 5, C, & D



FUNCTION	POS. 1 	POS. 2 	POS. 3 
5 - ON - OFF - ON	ON	OFF	ON
C - ON - OFF - (ON)	ON	OFF	(ON)
D - (ON) - OFF - (ON)	(ON)	OFF	(ON)
TERMINAL CLOSURES	2-3	N/A	1-2

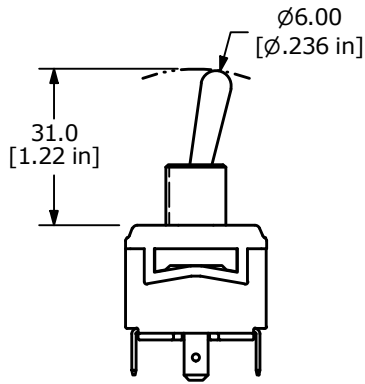
( ) = DENOTES MOMENTARY



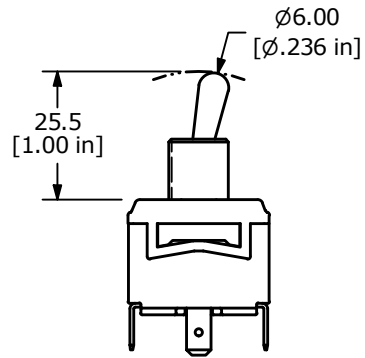
ANTI-VANDAL SWITCHES  
DETECTOR SWITCHES  
DIP SWITCHES  
KEYLOCK SWITCHES  
NAVIGATION SWITCHES  
PUSHBUTTON SWITCHES  
ROCKER SWITCHES  
ROTARY SWITCHES  
SLIDE SWITCHES  
SNAP ACTION SWITCHES  
TACTILE SWITCHES  
TOGGLE SWITCHES  
CAP OPTIONS

# ST1 SERIES TOGGLE SWITCH

## ACTUATOR OPTIONS

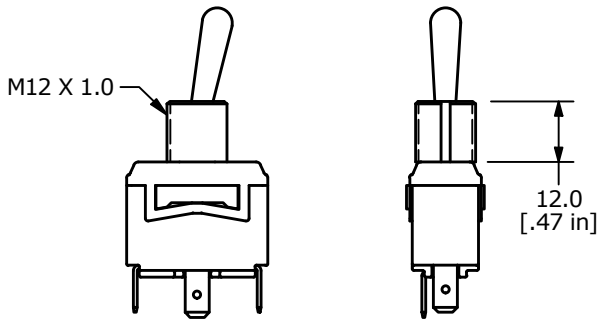


0 = STANDARD BAT

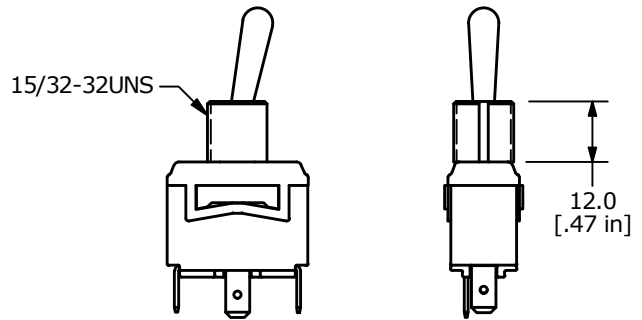


1 = SHORT BAT

## BUSHING OPTIONS

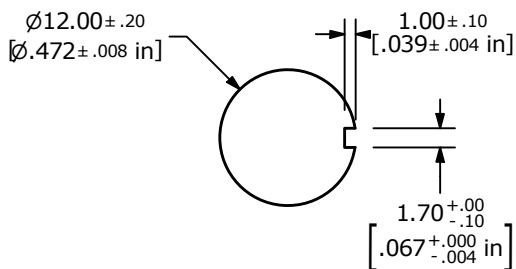


0 = M12 X 1.0

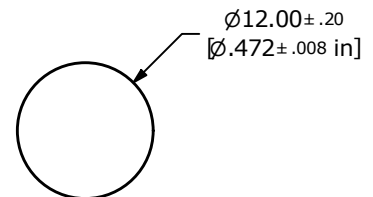


2 = 15/32"-32UNS

## PANEL CUTOUT OPTIONS



RECOMMENDED PANEL CUTOUT



ALTERNATE PANEL CUTOUT

