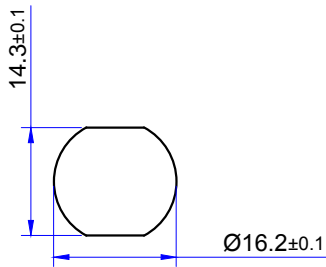
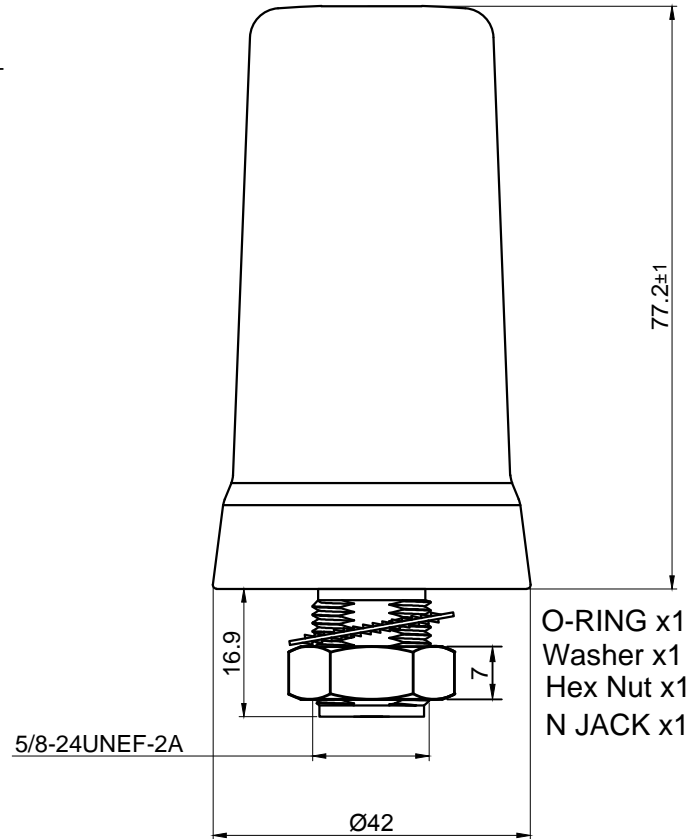


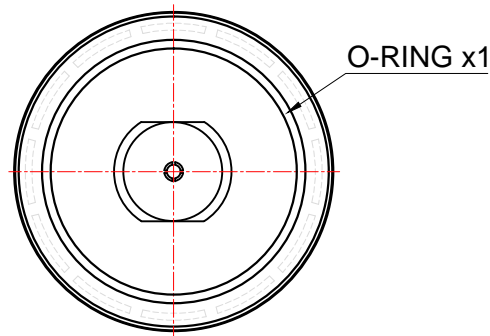
REVISIONS		
REV	ECN	DATE
--	---	----

NOTES

1. THIS IS A RoHS COMPLIANT PRODUCT



RECOMMENDED MOUNTING HOLE



BOTTOM VIEW

Electrical Properties	
Frequency Range	867~869MHz
Impedance	50Ω
V.S.W.R.	≤2.0
Radiation	Omni
Gain	2dBi
Polarization	Vertical
Wave Length , type	Microstrip
Beam Width(±3dB)	55°±5°@E-Plane 360°@H-Plane
Test Ground Size	φ350
Mechanical Properties	
Radome Material	PC
Connector Type	N JACK
Dimension	L=77.2mm
Weight	130.5g (est)
Operating Temp.	-40°C ~ +85°C
Storage Temp.	-40°C ~ +85°C

TITLE	867~869MHz M2M Outdoor Antenna, N Jack Connector	Rev. Date	SHEET
UNIT	DWG. NO.	11/13/18	1 OF 1
mm	S765N-868		
SCALE	NEARSON		
none			