



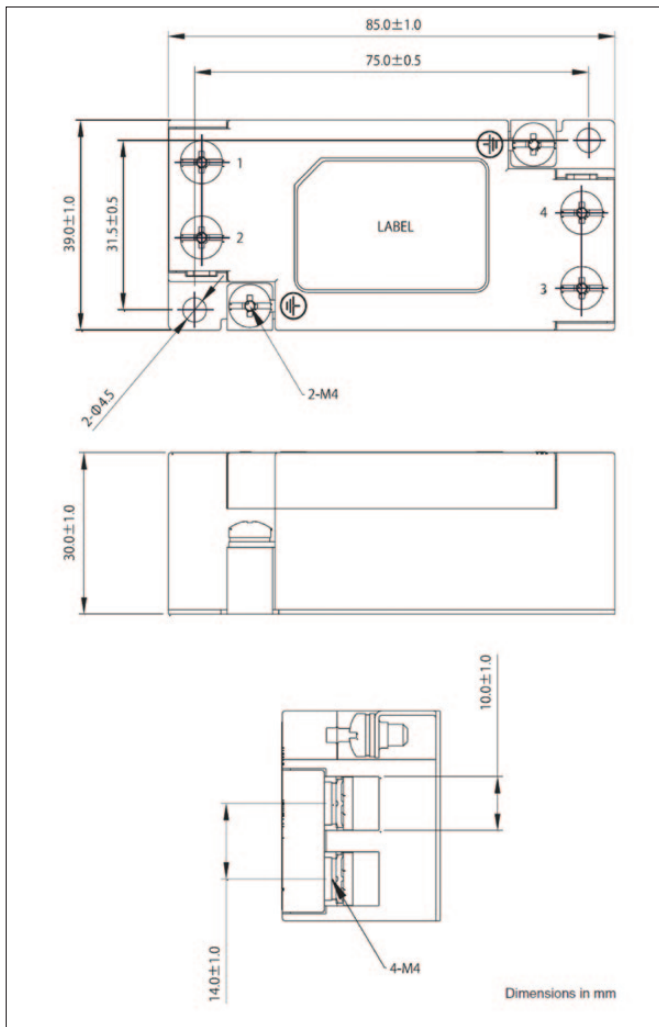
6A to 30A, 250VAC EMC Filters

| Features | Benefits |
|---|------------------------------|
| • Integrated Terminal Block with Captive Screws | • No Lost Hardware |
| • Compact Size | • Less System Space Required |
| • DIN Rail Mount Accessory Kit | • Allows DIN Rail Mounting |
| • Conforms to UL, CSA and EN Safety Agency Certifications | • Global Use |



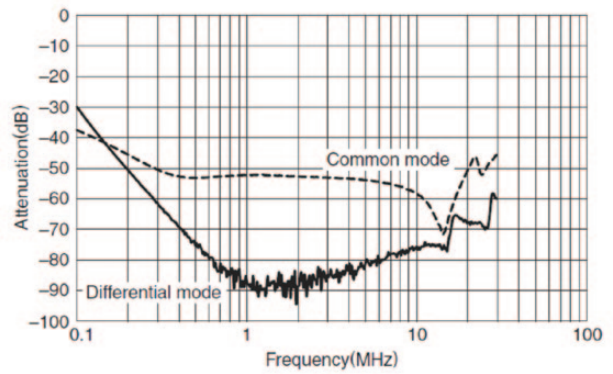
| Specification | | RSEV-2006 | RSEV-2010 | RSEV-2016 | RSEV-2020 | RSEV-2030 |
|------------------------------|-----|--|-----------|-----------|-----------|-----------|
| Rated Voltage (AC, DC) | V | 250V | | | | |
| Rated Current | A | 6A | 10A | 16A | 20A | 30A |
| Withstand Voltage | V | Terminals to Case: 2500VAC (1 Minute) | | | | |
| Isolation Resistance | MΩ | 100MΩ minimum (500VDC, 1 Minute) | | | | |
| Leakage Current (max) | A | 1mA (250VAC, 60Hz) | | | | |
| DC Resistance (total) | mΩ | 110 | 40 | 20 | 10 | 6 |
| Operating Temperature | °C | -25°C to +85°C (Derate above 55°C, see derating curve) | | | | |
| Storage Temperature | °C | -25°C to +85°C | | | | |
| Safety Agency Certifications | - | UL1283, CSA C22.2 No.8, EN60939-3 | | | | |
| Weight | g | 150 | | | | |
| Size (W x L x H) | mm | 39 x 85 x 30mm | | | | |
| Warranty | yrs | 5 | | | | |

Outline Drawing RSEV Series

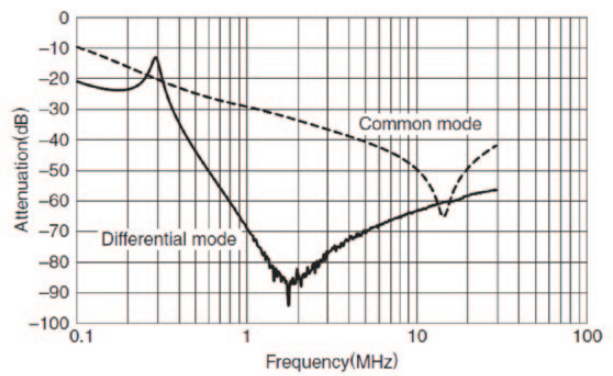


Attenuation Characteristics RSEV Series

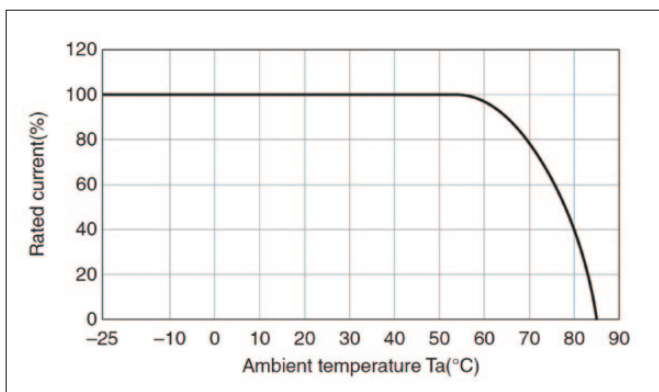
RSEV-2006



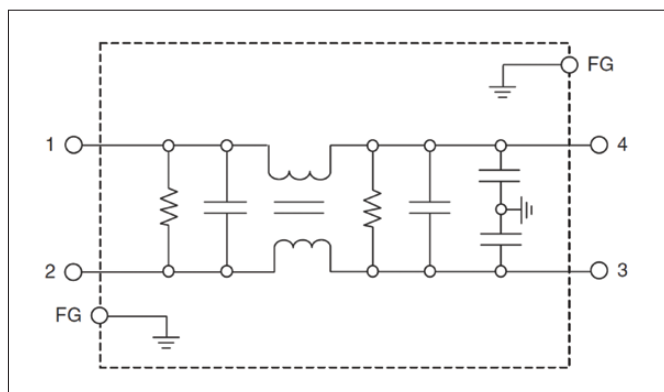
RSEV-2030



Derating Curve RSEV Series



Circuit Diagram RSEV Series



Accessory

DIN Rail Mounting Kit

DIN-RSEV



TDK-Lambda France SAS

Tel: +33 1 60 12 71 65
tlf.fr.powersolutions@tdk.com
www.emea.lambda.tdk.com/fr



Italy Sales Office

Tel: +39 02 61 29 38 63
tlf.it.powersolutions@tdk.com
www.emea.lambda.tdk.com/it



Netherlands

tlf.nl.powersolutions@tdk.com
www.emea.lambda.tdk.com/nl



TDK-Lambda Germany GmbH

Tel: +49 7841 666 0
tlg.powersolutions@tdk.com
www.emea.lambda.tdk.com/de



Austria Sales Office

Tel: +43 2256 655 84
tlg.at.powersolutions@tdk.com
www.emea.lambda.tdk.com/at



Switzerland Sales Office

Tel: +41 44 850 53 53
tlg.ch.powersolutions@tdk.com
www.emea.lambda.tdk.com/ch



Nordic Sales Office

Tel: +45 8853 8086
tlg.dk.powersolutions@tdk.com
www.emea.lambda.tdk.com/dk



TDK-Lambda UK Ltd.

Tel: +44 (0) 12 71 85 66 66
tlu.powersolutions@tdk.com
www.emea.lambda.tdk.com/uk



TDK-Lambda Ltd.

Tel: +9 723 902 4333
tli.powersolutions@tdk.com
www.emea.lambda.tdk.com/il-en



TDK-Lambda Americas

Tel: +1 800-LAMBDA-4 or 1-800-526-2324
tla.powersolutions@tdk.com
www.us.lambda.tdk.com



TDK Electronics do Brasil Ltda

Tel: +55 11 3289-9599
sales.br@tdk-electronics.tdk.com
www.tdk-electronics.tdk.com/en



TDK-Lambda Corporation

Tel: +81-3-6778-1113
www.jp.lambda.tdk.com



TDK-Lambda (China) Electronics Co. Ltd.

Tel: +86 21 6485-0777
tfc.powersolutions@tdk.com
www.lambda.tdk.com.cn



TDK-Lambda Singapore Pte Ltd.

Tel: +65 6251 7211
tfs.marketing@tdk.com
www.sg.lambda.tdk.com



TDK India Private Limited, Power Supply Division

Tel: +91 80 4039-0660
mathew.philip@tdk.com
www.sg.lambda.tdk.com

